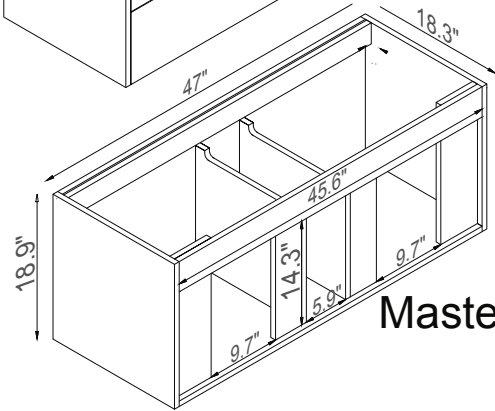
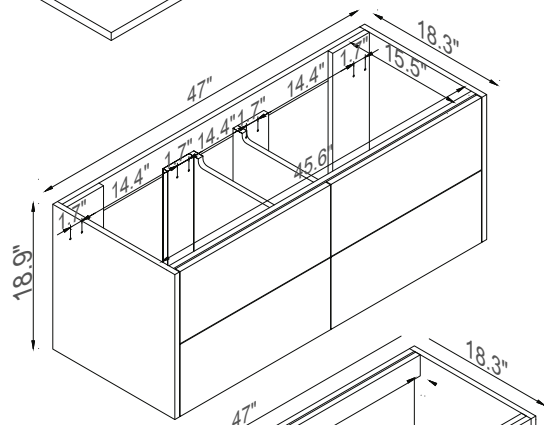
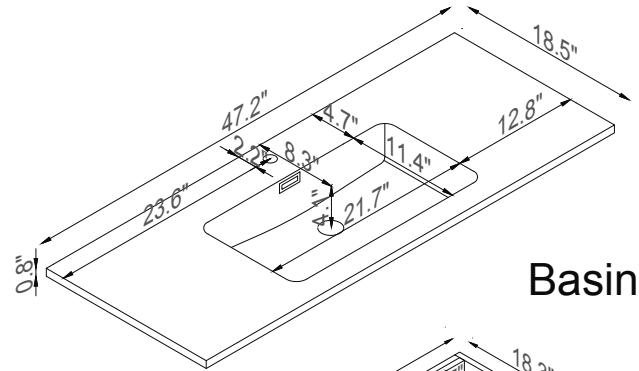




Streamline



Master Cabinet

K1500-161-48-51