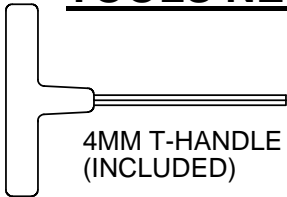


Ivy Terrace™

Model: IVTD212

- (1) Seat assembly
- (2) Front leg with arm (LH/RH)
- (1) Back leg assembly
- (1) Foot rest
- (2) Short brace (LH/RH)
- (2) Long brace (LH/RH)
- (1) Hardware pack

TOOLS NEEDED

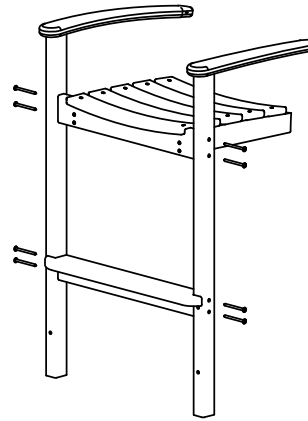


4MM T-HANDLE HEX KEY
(INCLUDED)

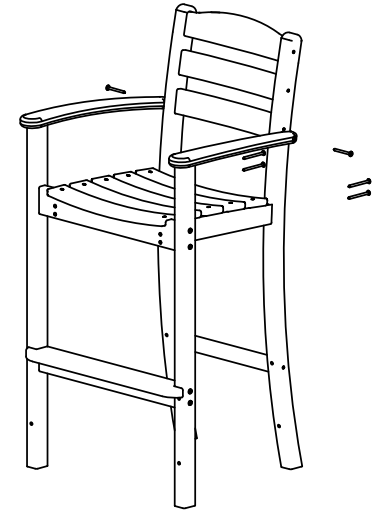
Qty.	Description
2	A - .27 x 2-1/2 SOCKET WAFER "A"
20	B - .27 X 3 SOCKET WAFER "A"



Step 1
Attach legs to the seat assembly and footrest with (8) 3" screws

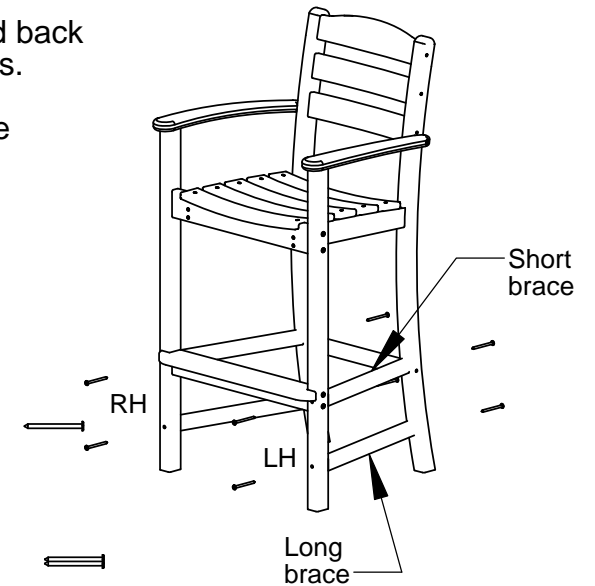
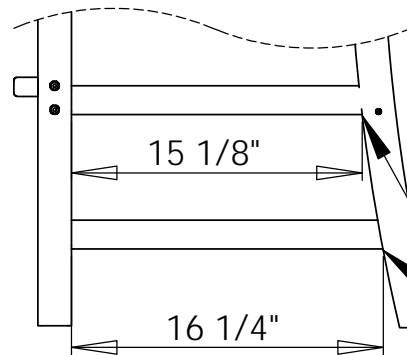


Step 2
Attach arms to back leg assembly using (2) 2½" screws
Attach back leg assembly to seat assembly using (4) 3" screws



Step 3
Attach braces between the front and back legs with the remaining (8) 3" screws.

Note: Compound angle cut on brace should be attached to the back leg



12° Compound angle cut with long edge on bottom
*Note: Braces are also RH and LH