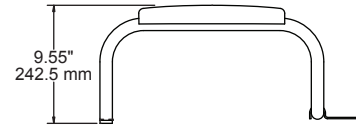
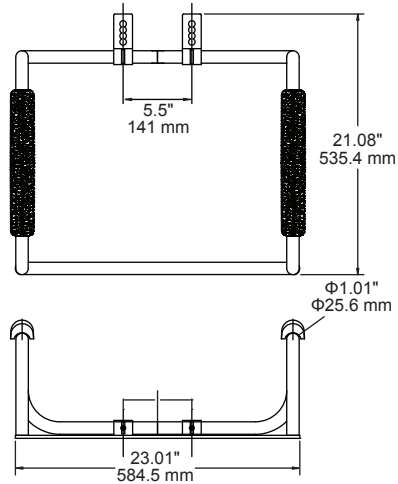


Toilet Safety

1 in. TOILET SAFETY BAR



MATERIALS:

Tubing is 1.00" diameter fluted aluminum extrusion for better gripping. Cross over support and brackets are cold rolled steel. All metal component surfaces are powder coated in white. Arm caps are blow molded polyethylene with a textured surface. Mounting center to center is 5-1/2" per ASME A112.19.2-2003.

SPECIFICATION:

Toilet safety bar shall be model _____
(fill in model number) by Liberty Hardware® Manufacturing Corporation.