



USER MANUAL
GUIDE DE L'UTILISATEUR
 MANUAL DEL USUARIO

SPOTLESS GO
SPOTLESS GO

SPOTLESS GO

© 2019 TECHTRONIC FLOOR CARE TECHNOLOGY LIMITED. ALL RIGHTS RESERVED.
 CHARLOTTE, NC 28262
 800-406-2005

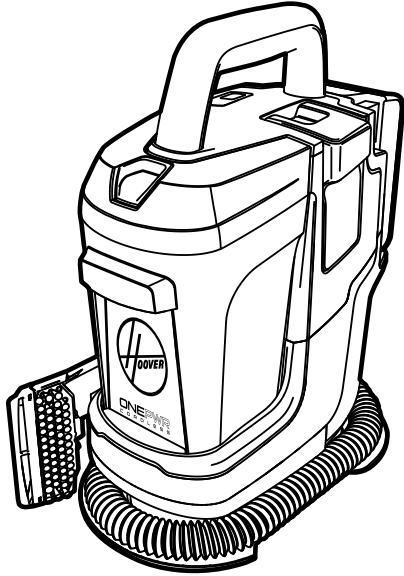


TABLE OF CONTENTS

Register your Product	1
Safety Instructions	2-4
Assembly	5
Operation	5-6
Maintenance	6
Cleaning Products	6
Accessories	7
Service Warranty	7
Figures	7-8

TABLE DES MATIÈRES

Enregistrez votre produit	9
Consignes de sécurité	10-12
Assemblage	13
Utilisation	13-14
Entretien	14
Produits nettoyants	14
Accessories	15
Entretien et garantie	15
Figures	7-8

ÍNDICE

Registre su producto	16
Instrucciones de seguridad ..	17-19
Ensamblaje	20
Funcionamiento	20-21
Mantenimiento	21
Productos de limpieza	21
Accessories	22
Garantía de servicio	22
Figuras	7-8



IMPORTANT:

READ CAREFULLY BEFORE
 ASSEMBLY AND USE.



IMPORTANTES:

LISEZ ATTENTIVEMENT LE PRÉSENT GUIDE
 D'UTILISATION AVANT D'ASSEMBLER
 ET D'UTILISER L'APPAREIL.



IMPORTANTES:

LEA CUIDADOSAMENTE ESTA INFOR-
 MACIÓN ANTES DE ENSAMBLAR Y USAR
 LA ASPIRADORA.



Welcome to the

**ONE
PWR
SYSTEM**

**Clean Further, Faster and Easier
with the Freedom of Cordless**



PROTECT YOUR PURCHASE

To register your product, go to the URL below and follow the steps until complete.
[HOOVER.COM/PRODUCT-REGISTRATION](https://www.hoover.com/product-registration)

IMPORTANT SAFETY INSTRUCTIONS

SAVE THESE INSTRUCTIONS

When using an electrical appliance, basic precautions should always be followed, including the following:

READ ALL INSTRUCTIONS BEFORE USING THIS APPLIANCE.

**THIS PRODUCT IS INTENDED FOR HOUSEHOLD USE ONLY.
IF USED COMMERCIALY WARRANTY IS VOID.**

WARNING: TO REDUCE THE RISK OF FIRE, ELECTRIC SHOCK, DAMAGE OR INJURY:

- Fully assemble before operating.
- Do not store or charge battery outdoors or on wet surfaces. Do not allow charger to get wet.
- DO NOT expose to rain. Store indoors.
- Do not allow to be used as a toy. Not intended for use by children age 12 and under. Close supervision is necessary when used near children. To avoid injury or damage, keep children away from product, and do not allow children to place fingers or other objects into any openings.
- Use only as described in this manual. Use only Hoover® recommended attachments and products.
- Do not use charger with damaged cord or plug. If appliance or charger is not working as it should, has been dropped, damaged, left outdoors, or dropped into water, take it to a service center prior to continuing use, call customer service at 800-406-2005.
- Do not pull or carry charger by cord, use cord as a handle, close a door on cord, or pull cord around sharp edges or corners. Do not place product on cord. Do not run appliance over cord. Keep cord away from heated surfaces.
- Do not unplug charger by pulling on cord. To unplug charger, grasp the plug, not the cord.
- Do not handle charger including charger plug and charger terminals, or appliance with wet hands.
- Do not put any object into openings. Do not use with any opening blocked; keep free of dust, lint, hair, and anything that may reduce air flow.
- Keep hair, loose clothing, fingers, and all parts of body away from openings and moving parts.
- Use extra care when cleaning on stairs. To avoid personal injury or damage, and to prevent the cleaner from falling, always place cleaner at bottom of stairs on floor. Do not place cleaner on stairs or furniture, as it may result in injury or damage.
- Do not use to pick up flammable or combustible liquids, such as gasoline, or fine wood sandings, or use in areas where they may be present.
- Do not pick up anything that is burning or smoking, such as

cigarettes, matches, or hot ashes.

- Do not use without Filters and/or Tanks in place.
- Do not clean over floor electrical outlets.
- Due to internal component damage, use only Hoover® cleaning products intended for use with this machine. See the cleaning products section of this manual.
- Do not incinerate the charger, battery, or the appliance even if it is severely damaged. The batteries can explode in a fire.

⚠ WARNING! ⚠

RISK OF FIRE, PROPERTY DAMAGE, AND INJURY. NEVER EXPOSE YOUR BATTERY PACK OR CHARGER TO WATER, MOISTURE, OR FLUIDS, INCLUDING BUT NOT LIMITED TO CORROSIVE OR CONDUCTIVE FLUIDS, OR ALLOW FLUIDS TO FLOW INSIDE THESE ITEMS.

Corrosive or conductive fluids, such as salt water, chlorine, certain industrial chemicals, and bleach or bleach containing products, etc., can cause a short circuit in the battery pack. If your battery pack is exposed to a corrosive or conductive fluid, do not attempt to use or charge the battery pack and immediately perform the following steps:

- Wear appropriate personal protective equipment, including eye protection and rubber gloves.
- Place your exposed battery pack in a large bucket, such as a 5 gallon or similar bucket, and fill the bucket with regular tap water. Do not place more than two packs in the bucket.
- Locate the bucket outdoors in an area inaccessible to children and pets and away from all buildings, garages/sheds, structures, vehicles, and combustible/flammable materials.
- Leave the battery pack(s) in the bucket filled with tap water and call Customer Service at 1-800-406-2005 for additional instructions on the proper disposal of the exposed battery pack(s).
- Prevent unintentional starting. Ensure the switch is in the off-position before connecting to battery pack, picking up or carrying the appliance. Carrying the appliance with your finger on the switch or energizing appliance that has the switch on invites accidents.
- Recharge only with the charger specified by the manufacturer. A charger that is suitable for one type of battery pack may create a risk of injury and fire when used with another battery pack.
- Use appliance only with specifically designated battery packs. Use of any other packs may create a risk of injury and fire.
- Use battery only with charger listed. For use with Hoover®

IMPORTANT SAFETY INSTRUCTIONS

SAVE THESE INSTRUCTIONS

ONEPWR Lithium-ion Batteries. See page “6” for battery and charger compatibility.

- The charger is for indoor use only. Be sure to always keep the battery and charger in a dry place.
- Unplug the charger from the outlet before any routine cleaning or maintenance.
- Disconnect the battery pack from the appliance before making any adjustments, changing accessories, or storing appliance. Such preventative safety measures reduce the risk of starting the appliance accidentally.
- When battery pack is not in use, keep it away from other metal objects, like paper clips, coins, keys, nails, screws or other small metal objects, that can make a connection from one terminal to another. Shorting the battery terminals together may cause burns or a fire.
- Under abusive conditions, liquid may be ejected from the battery; avoid contact. If contact accidentally occurs, flush with water. If liquid contacts eyes, additionally seek medical help. Liquid ejected from battery may cause irritation or burns.
- Do not use a battery pack or appliance that is damaged or modified. Damaged or modified batteries may exhibit unpredictable behavior resulting in fire, explosion or risk of injury.
- Do not expose a battery pack or appliance to fire or excessive temperatures. Exposure to fire or temperature above 265°F may cause explosion.
- Follow all charging instructions and do not charge the battery pack or appliance outside of the temperature range specified in the instructions. Charging improperly or at temperatures outside of the specified range may damage the battery and increase the risk of fire. See page 4 of the manual.
- Do not modify or attempt to repair the appliance or the battery pack except as indicated in the instructions for use and care.
- Put product away after use to prevent tripping accidents.

CAUTION: TO REDUCE THE RISK OF DAMAGE:

- Avoid picking up hard, sharp objects with this product, as they may cause damage.
- Store appropriately indoors in a dry place. Do not expose machine to freezing temperatures.
- Do not use sharp objects to clean out hose as they can cause damage.
- To assist in reducing drying time, be certain the area is well ventilated when using detergents and other cleaners with this machine.

- Check and follow flooring manufacturers warranty and recommendations regarding the use of a hard floor cleaning machine prior to using this product on your sealed hard floors.
- Do not store extractor with solution in tanks.
- Water will drip from the brushes and underside of the product after use and may puddle. To avoid damage to wood and laminate flooring and to avoid potential slip hazard, after use (a) do not leave the product on wood or laminate surfaces and (b) place product on a absorbent material (such as a towel) to soak up drips.

BATTERY DISPOSAL WARNING: RISK OF EXPLOSION OR EXPOSURE TO TOXIC MATERIAL.

LITHIUM-ION BATTERIES

The battery must be collected, recycled or disposed of in an environmentally sound manner. The EPA certified RBRC Battery Recycling Seal on the lithium-ion (Li-ion) battery indicated Techtronic Industries, a corporate affiliate of Hoover, Inc., is voluntarily participating in an industry program to collect and recycle these batteries at the end of their useful life, when taken out of service in the United States or Canada. The RBRC program provides a convenient alternative to placing used Li-ion batteries into the trash or the municipal waste stream, which may be illegal in your area. Please visit www.rbrc.org/call2recycle/ for information on Li-ion battery recycling and disposal bans/restrictions in your area. Hoover, Inc., involvement in this program is part of our commitment to preserving our environment and conserving our natural resources.



QUESTIONS OR CONCERNS?

Contact us:
Hoover.com/support or Hoover.ca/support
800-406-2005
Connect with us:
Twitter: @HooverUSA
Facebook: [facebook.com/hoover](https://www.facebook.com/hoover)
Do not return to store. See top of lid for model number.

Product Assembly

- Wrap flex hose around unit starting in the front, and place tool in holder. **See Fig. 1, Page 7**
- Insert Battery into unit. **See Fig 2, Page 8**
- Ensure Both tanks are snapped into lock position

WARNING!

To reduce the risk of personal injury from moving parts, turn the power switch to OFF and disconnect all accessories before servicing.

WARNING!

Some Berber, Natural Fiber, and Soft Fiber carpets can fuzz with wear. Some vacuums & carpet cleaners can worsen this carpetwear. Test a hidden area before using on a full room & consult with your carpet manufacturer on cleaning recommendations.

Before you begin cleaning:

- Don't use the carpet cleaner as a dry Vacuum cleaner.
- Use your Hoover portable carpet cleaner only if upholstery fabric is marked with a "W" (for "wet" clean) or "S/W" (for "solvent/Dry" clean only)
- Test for color fastness in a small, hidden area. Gently rub surface with a dampened white cloth. Wait ten minutes and check for color removal or bleed with a white paper Towel.
- Place aluminum foil or wax paper under legs of furniture too heavy to move to prevent wood finished from staining carpet. Pin up furniture skirts and draperies.

NOTE

To avoid damage to wood floors underneath area rugs or carpet, place waterproof material (e.g. plastic) underneath them before cleaning.

OPERATION

Charging your Product

See Figure 3, page 8

- Charge the battery fully before first use. This will take up to 3 hours. Due to federal regulations, the battery does not come fully charged.
- Plug the charger into a power outlet.
- Attach the battery pack to the charger by aligning the ribs on the battery pack to the grooves in the charger. Slide the battery pack into the charger.
- When charging, the lights on the battery will illuminate to show the state of charge. The light on the charger will flash.
- If the light on the charger flashes red, there is an error with the battery or the charger. Try again or call customer service for support.
- When the charge is complete, the lights on the battery and the charger will turn off.
- To remove the battery pack from the charger, press the latches and pull up on the battery pack while holding the charger.
- During charging, the pack and ambient temperature should be between 41 to 86°F (5 to 30°C).
- The charger will sense if the pack, or ambient temperature, is too cold or too hot, and will return an error code (red LED will be on) and not charge the pack.

Getting Started

- To fill the Clean Water/ Solution Tank. **See Figure 4, page 8** Lift up to remove clean water tank.

CAUTION

Do not fill with water above 140°F (60°C).

- Turn cap counter-clockwise and pull up to remove.
- Fill with Ready to Use Hoover Solution (if applicable)
- For use with Hoover Full Size Solutions mix 1 tsp of Solution for 8 oz of water for best results.
- Replace Cap securely and insert tank with the cap facing down, then push bottom until you hear it click into place.
- Unwrap hose from unit. Select Preferred tool and make sure it is securely attached (if applies)

Pre-Treating

- For best cleaning results, pretreat stains with a Hoover Spot Treatment to help loosen and remove even the most stubborn stains.
- Distribute a generous amount of pretreat spray or gel on spot, stain, or high traffic areas. Always follow specific directions found on detergent label.
- Wait 5-10 Minutes

How to clean with your Portable Carpet Cleaner

- Insert the attachment best fit for your cleaning needs onto the tool. **See fig. 5, Page 8**
- Press the power button on the top of the unit to turn the unit on. **See page 7**
- For Wet Stains, suction up excess liquid by placing the tool on the soiled area and applying downward pressure on the front of the cleaning tool while pulling it towards you

OPERATION

slowly. See Fig. 6, page 8

- Spray a generous amount of cleaning solution over the soiled area by pressing the trigger behind the tool and scrub the stain in a back and forth motion. See Fig 7, Page 8
- To lift the stain, suction up the dirt and cleaning solution by applying downward pressure on the front of the cleaning tool and pulling towards you. Repeat as needed. See Fig 6, page 8

⚠ IMPORTANT ⚠

Not to be used for grooming a pet.

- If additional cleaning is necessary, wait until the upholstery is completely dry before using the tool again.
- Empty Dirty Water Tank when the motor sound becomes higher pitched and there is a loss in suction.
- When finished cleaning, follow "Keeping your portable

carpet cleaner running properly" instructions in the maintenance section.

- For best results, Hoover recommends to rinse the upholstery with water only. This removes residual cleaning detergent.

⚠ NOTE ⚠

NOTE: Using more than the recommended amount of cleaning solution may cause excessive foaming.

⚠ WARNING! ⚠

Use only HOOVER® cleaning products intended for use with this machine. They are specially formulated for use with your cleaner. Non-Hoover® cleaning solutions may harm the machine and void the warranty.

MAINTENANCE

- Any other servicing should be done by an authorized service representative.
- If appliance is not working as it should, has been dropped, damaged, left outdoors or dropped into water, contact customer service at 800-406-2005.

Keep your Portable Carpet Cleaner Running Properly:

- **EMPTY DIRTY WATER TANK.** Press TANK RELEASE button and lift tank from unit. Set tank down, then lift lid off for emptying and rinsing. Clean water will help remove dirt and debris from the tank. Let air dry before reinstalling. See Fig. 8, page 8

- Rinse Tool under faucet. Remove nozzle cover by pressing release button. See Fig. 9 & 10, Page 8
- Scoop out debris from red screen after every use for best performance
- Remove the three screws on the bottom of the carpet cleaner to access the hose to remove for cleaning. See Fig 11, Page 8
- Empty solution tank and let air dry.

CLEANING PRODUCTS

⚠ WARNING! ⚠

TO REDUCE THE RISK OF FIRE AND ELECTRIC SHOCK DUE TO INTERNAL COMPONENT DAMAGE, USE ONLY HOOVER® CLEANING PRODUCTS INTENDED FOR USE WITH THE APPLIANCE AS NOTED BELOW.



Oxy Spot Remover
Instantly begins removing spots, stains, & odors



Paws & Claws Spot Remover
Helps eliminate and deodorize pet messes, odors, & stains



Paws & Claws Premixed Carpet Cleaning Formula
Helps eliminate and deodorize pet messes, odors, & stains

ACCESSORIES

Look for these accessories on Hoover.com or Hoover.ca or call 800-406-2005.

Every ONEPWR battery works with every ONEPWR product.		Parts and Accessories:	
Battery:	Model #	Charger	BH05000
2.0 Ah	BH15020		
3.0 Ah	BH15030		
4.0Ah MAX	BH25040		

SERVICE AND WARRANTY

SERVICE INFORMATION & LIMITED WARRANTY FOR HOOVER® ONEPWR PRODUCTS

If you require warranty assistance or have questions about your Hoover ONEPWR product, contact Hoover Customer Service. For service in the U.S. or Canada, dial 800-406-2005.

Costs of any shipping and/or transportation to and from any place of repair are to be paid by the owner. Identify your product by the model number and manufacturing code when requesting information or ordering replacement parts. (The model number and manufacturing code for the product appears on the top of the lid and on the back of the charger). LIMITED TWO YEAR WARRANTY (DOMESTIC USE) (LIMITED THREE YEAR BATTERY WARRANTY)

WHAT THIS LIMITED WARRANTY COVERS: This limited warranty provided by Royal Appliance Mfg. Co., doing business as TTI Floor Care North America (referred to hereafter as "Hoover") applies only to products purchased in the U.S. (including its territories and possessions), a U.S. Military Exchange, or Canada. When used and maintained in normal household use and in accordance with the Owner's Guide, your Hoover® product and battery are warranted against original defects in material and workmanship for two years from the date of original purchase (the "Warranty Period"). If Hoover determines that the issue you are experiencing is covered under the terms of the product warranty (a "covered warranty claim"), we will, at our sole discretion and free of charge (subject to the cost of shipping), either repair your product or ship you a replacement product, subject to availability. Parts and replacements may be new, refurbished, lightly used, or remanufactured, in Hoover's sole discretion. If parts and replacements are unavailable, we may, at our discretion, provide a similar product of equal or greater value, a store credit (if applicable), or a refund of the actual purchase price at the time of the original purchase, as reflected on the original sales receipt.

WHO THIS LIMITED WARRANTY COVERS: This limited warranty extends only to the original retail purchaser, with original proof of purchase from Hoover or an authorized dealer of Hoover products, in the U.S., U.S. Military Exchanges, and Canada.

HOW TO MAKE A WARRANTY CLAIM: If this product is not as warranted, contact Hoover Customer Service. Please have available the proof of purchase and model number for the warranted product.

WHAT THIS LIMITED WARRANTY DOES NOT COVER: This warranty does not cover use of the product in a commercial operation (such as maid, janitorial, and equipment rental services, or any other income-generating activity); improper maintenance of the product; the product if it has been subject to misuse, negligence, neglect, vandalism, or the use of voltages other than that on the data plate of this product. This warranty does not cover damage resulting from an act of God, accident, owner's acts or omissions, service of this product by other than Hoover or a Hoover authorized service provider (if applicable), or other acts beyond the control of Hoover. This warranty also does not cover use outside the country in which the product was initially purchased, or resale of the product by the original owner. Pick-up, delivery, transportation, and house calls are not covered by this warranty. In addition, this warranty does not cover any product that has been altered or modified; repairs made necessary by normal wear, or the use of parts or accessories which are either incompatible with the Hoover product or adversely affect its operation, performance, or durability. Normal wear items that are not covered under this warranty include, but are not limited to, belts, filters, brush rolls, blower fans, blower and vacuum tubes, and vacuum bags and straps.

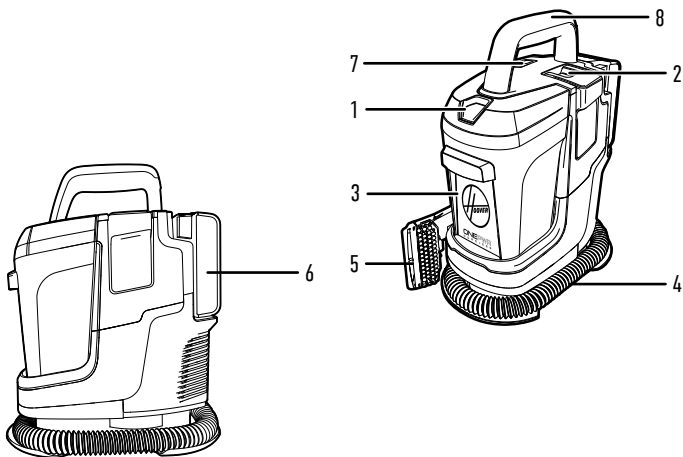
Please call Hoover Customer Service at 800-406-2005, for information on how to ship this product. This warranty does not apply to products purchased outside the United States, a U.S. Military Exchange, or Canada.

OTHER IMPORTANT TERMS: This warranty is not transferable and may not be assigned; any assignment made in contravention of this prohibition is void. This warranty shall be governed and construed under the laws of the state of North Carolina. The Warranty Period will not be extended by any replacement of batteries or parts or repair performed under this warranty.

THIS WARRANTY IS THE EXCLUSIVE WARRANTY AND REMEDY, AND ALL EXPRESS AND IMPLIED WARRANTIES OTHER THAN THE LIMITED WARRANTY SET FORTH ABOVE, INCLUDING IMPLIED WARRANTIES OF MERCHANTABILITY AND FITNESS FOR A PARTICULAR PURPOSE, ARE EXPRESSLY DISCLAIMED. IN NO EVENT WILL HOOVER BE LIABLE FOR ANY SPECIAL, INDIRECT, INCIDENTAL OR CONSEQUENTIAL DAMAGES OF ANY KIND OR NATURE TO OWNER OR ANY PARTY CLAIMING THROUGH OWNER, WHETHER BASED IN CONTRACT, NEGLIGENCE, TORT, OR STRICT PRODUCTS LIABILITY OR ARISING FROM ANY CAUSE WHATSOEVER. TO THE EXTENT PERMITTED BY APPLICABLE LAW, NO WARRANTIES THAT ARISE BY OPERATION OF LAW, IF APPLICABLE, SHALL EXCEED THE DURATION OF THE LIMITED WARRANTY PROVIDED HEREIN. HOOVER'S LIABILITY FOR DAMAGES TO YOU FOR ANY COSTS WHATSOEVER ARISING OUT OF THIS STATEMENT OF LIMITED WARRANTY SHALL BE LIMITED TO THE AMOUNT PAID FOR THIS PRODUCT AT THE TIME OF ORIGINAL PURCHASE AND HOOVER SHALL NOT BE LIABLE FOR ANY DIRECT, INDIRECT, CONSEQUENTIAL, OR INCIDENTAL DAMAGES ARISING OUT OF THE USE OR INABILITY TO USE THIS PRODUCT.

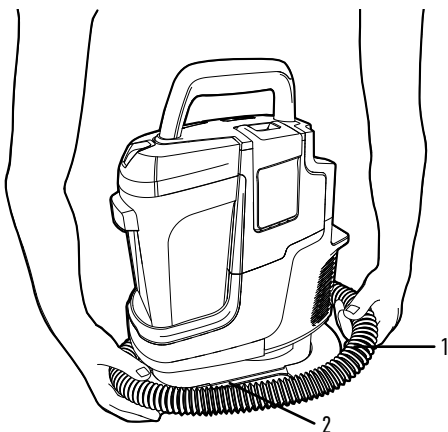
Some states do not allow the exclusion or limitation of incidental or consequential damages, disclaimers of implied warranties, or limitations on the duration of implied warranties, so the above exclusions, disclaimers, and/or limitations may not apply to you.

This warranty gives you specific legal rights, and you may also have other rights, which vary from state to state.



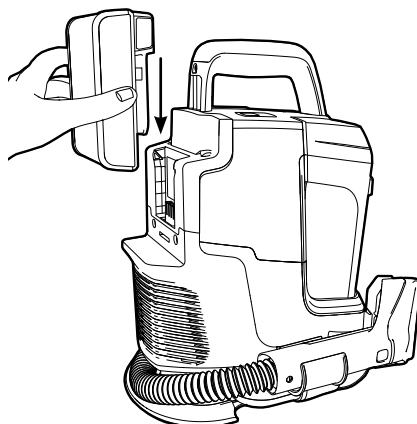
1. Tank Release Button, Bouton de dégagement du réservoir, Botón de liberación del tanque
2. Clean Water/Solution Tank, Réservoir d'eau propre/solution, Depósito para agua limpia/solución
3. Recovery/Dirty Water Tank, Récupération/eau usée, Tanque de recuperación/agua sucia
4. Cleaning Hose, Tuyau de nettoyage, Manguera de limpieza
5. Multi-Purpose Tool, Accessoire à usages multiples, Herramienta multipropósito
6. OnePWR Battery, Pile OnePWR, Batería OnePWR
7. Power Button, Interrupteur marche/arrêt, Botón de encendido
8. Carry Handle, Poignée de transport, Manija para transportar la unidad

FIG. 1

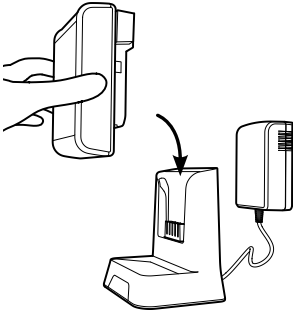


1. Cleaning Hose, Tuyau de nettoyage, Manguera de limpieza
2. Hose Clip, Pince pour tuyau, Sujetador de manguera

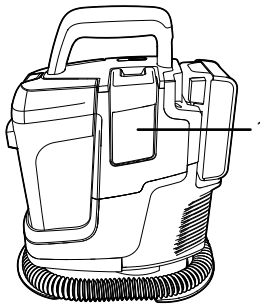
FIG. 2



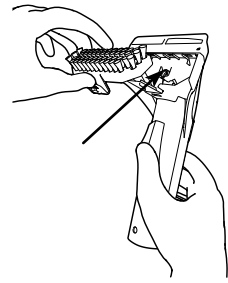
1. ONEPWR Battery insertion, Insertion de la pile OnePWR, Inserción de la batería OnePWR

FIG. 3

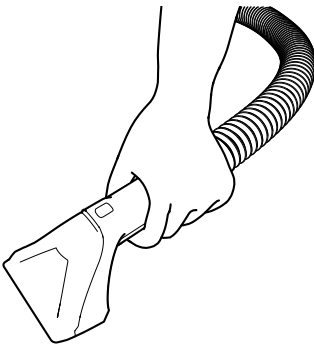
1. Charger, Chargeur, Cargador
2. OnePWR Battery, Pile OnePWR, Bateria OnePWR

FIG. 4

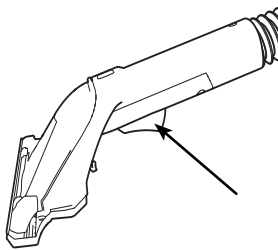
1. Clean Water/Solution Tank, Réservoir d'eau propre/solution, Deposito para agua limpia/solución

FIG. 5

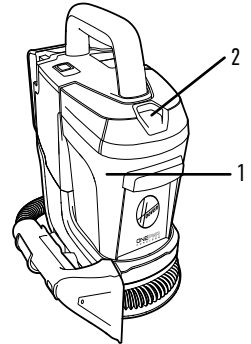
1. Interchangeable Attachments, Accessoires interchangeables, Accesorios intercambiables

FIG. 6

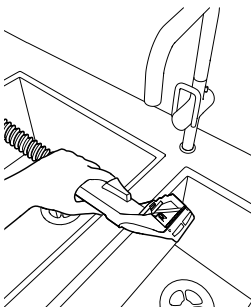
1. Multi-Purpose Tool, Accessoire à usages multiples, Herramienta multipropósito

FIG. 7

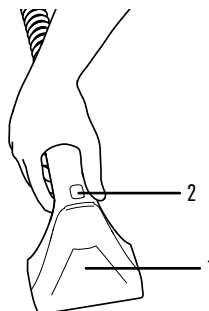
1. Solution/Water Trigger, Gâchette d'application de produit/d'eau, Gatillo de solución/agua

FIG. 8

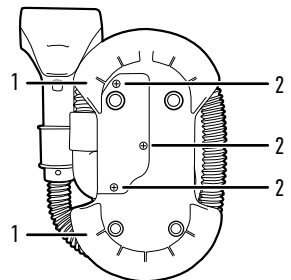
1. Recovery/Dirty Water Tank, Récupération/eau usée, Tanque de recuperación/agua sucia
2. Tank Release Button, Bouton de dégagement du réservoir, botón de liberación del tanque

FIG. 9

1. Multi-Purpose Tool, Accessoire à usages multiples, Herramienta multipropósito

FIG. 10

1. Multi-Purpose Tool, Accessoire à usages multiples, Herramienta multipropósito
2. Removable Nozzle, Buse amovible, Boquilla extraíble

FIG. 11

1. Cleaning Hose Holder, Support de tuyau de nettoyage, Soporte para manguera de limpieza
2. Screws, Vis, Tornillos

Bienvenue chez

**ONE
PWR
SYSTEM**

Nettoyez plus en profondeur, plus rapidement et plus facilement grâce à la liberté d'un appareil sans fil



PROTÉGER VOTRE ACHAT

Pour enregistrer le produit, accéder à l'adresse URL ci-dessous et suivre les étapes jusqu'à la fin.

[HOOVER.CA/PRODUCT-REGISTRATION](https://www.hoover.ca/product-registration)

CONSIGNES DE SÉCURITÉ IMPORTANTES

CONSERVEZ CES INSTRUCTIONS

Lorsque vous utilisez des appareils électriques, veuillez toujours respecter entre autres les consignes de sécurité élémentaires suivantes :

VEUILLEZ LIRE TOUTES LES INSTRUCTIONS AVANT D'UTILISER CET APPAREIL.

CE PRODUIT EST DESTINÉ À UN USAGE DOMESTIQUE SEULEMENT. LA GARANTIE EST NULLE SI L'APPAREIL EST UTILISÉ À DES FINS COMMERCIALES.

AVERTISSEMENT: POUR RÉDUIRE LES RISQUES D'INCENDIE, D'ÉLECTROCUTION, DE DOMMAGES ET DE BLESSURES :

- Assemblez entièrement l'appareil avant de l'utiliser.
- Éviter de ranger ou de charger la pile à l'extérieur ou sur des surfaces mouillées. N'exposez pas le chargeur à l'eau ou à l'humidité.
- NE l'exposez pas à la pluie, Rangez-le à l'intérieur.
- Ne pas permettre que l'appareil soit utilisé comme un jouet. Cet appareil ne doit pas être utilisé par des enfants de moins de 12 ans. Exercez une surveillance étroite lorsque l'appareil est utilisé à proximité d'enfants. Gardez l'appareil hors de la portée des enfants et ne laissez pas ces derniers introduire leurs doigts ou d'autres objets dans aucune ouverture afin d'éviter les blessures ou les bris.
- Utiliser cet appareil uniquement de la façon décrite dans ce guide. N'utilisez que des accessoires et des produits recommandés par Hoover^{MD}.
- Ne pas utiliser le chargeur si le cordon d'alimentation ou la fiche est endommagé. Si l'appareil ou le chargeur ne fonctionnent pas adéquatement, s'ils sont tombés sur le sol ou dans l'eau, s'ils sont endommagés ou ont été laissés à l'extérieur, communiquez avec le service à la clientèle au 800 406-2005.
- Ne pas tirer le chargeur par le cordon, ne pas se servir du cordon comme poignée, ne pas fermer de porte sur le cordon et ne pas contourner des coins ou des rebords tranchants avec le cordon. Ne placez pas l'appareil sur le cordon. Ne faites pas rouler l'appareil sur le cordon. Tenez le cordon éloigné des surfaces chaudes.
- Ne pas tirer sur le cordon pour débrancher l'appareil. Pour débrancher le chargeur, tirez sur la fiche.
- Ne pas manipuler le chargeur, y compris la fiche et les bornes, ou l'appareil avec les mains mouillées.
- N'insérez aucun objet dans les ouvertures. N'utilisez pas l'appareil si les ouvertures sont obstruées. Assurez-vous qu'elles sont exemptes de poussière, de mousse, de cheveux ou de tout ce qui pourrait réduire le débit d'air.
- Gardez les cheveux, les vêtements amples, les doigts et toute autre partie du corps à l'écart des ouvertures et des pièces

en mouvement.

- Redoublez de prudence lorsque vous utilisez l'appareil dans un escalier. Pour éviter toute blessure et tout dommage et pour prévenir toute chute de l'appareil, toujours le placer au bas de l'escalier ou au sol. Ne placez pas l'appareil sur les marches d'un escalier ou sur un meuble, car cela peut entraîner des dommages ou des blessures.
- Ne pas aspirer des liquides inflammables ou combustibles comme de l'essence ou de la sciure de bois ni utiliser l'appareil à proximité de ces matériaux.
- Ne pas utiliser l'appareil pour ramasser des matières qui dégagent de la fumée ou qui brûlent, comme des cigarettes, des allumettes ou des cendres encore chaudes.
- Ne pas utiliser l'appareil si les filtres et les réservoirs ne sont pas en place.
- Ne déplacez pas l'appareil sur des prises de courant au sol.
- En raison d'un risque de dommage des composants internes, utilisez uniquement solutions de nettoyage conçues pour cet appareil Hoover^{MD}. Voir la section « Produits nettoyants » du manuel.
- N'incinerez pas le chargeur, la pile ou l'appareil mêmes s'ils sont gravement endommagés. La pile peut exploser au feu.

⚠ AVERTISSEMENT! ⚠

RISQUE D'INCENDIE, DE DOMMAGES MATÉRIELS ET DE BLESSURES. NE JAMAIS EXPOSER VOTRE BLOC-PILES OU VOTRE CHARGEUR À DE L'EAU, DE L'HUMIDITÉ OU DES LIQUIDES, Y COMPRIS, SANS S'Y LIMITER, DES LIQUIDES CORROSIFS OU CONDUCTEURS, NI LAISSER LES LIQUIDES S'INFILTRER DANS CES ARTICLES.

Les liquides corrosifs ou conducteurs, comme l'eau salée, le chlore, certains produits chimiques industriels, les agents de blanchiment, les produits contenant des agents de blanchiment, etc., peuvent causer un court-circuit dans le bloc-piles. Si le bloc-piles est exposé à un liquide corrosif ou conducteur, ne pas tenter de l'utiliser ou de le charger. Effectuer immédiatement les étapes ci-dessous :

- Porter le matériel de protection individuelle approprié, dont des lunettes de protection et des gants en caoutchouc.
- Placer le bloc-piles exposé dans un grand seau, comme un seau de 5 gallons ou d'une capacité similaire, et le remplir d'eau du robinet. Éviter de placer plus de deux blocs dans le seau.
- Placer le seau à l'extérieur dans un endroit hors de la portée des enfants et des animaux, loin des bâtiments, des garages, des remises, des structures, des véhicules et des matériaux combustibles ou inflammables.
- Laisser le ou les blocs-piles dans le seau rempli d'eau du robinet et communiquer avec le service à la clientèle au 1 888 768-2014 pour obtenir des directives supplémentaires sur l'élimination adéquate du ou des blocs-piles exposé(s).

CONSIGNES DE SÉCURITÉ IMPORTANTES

CONSERVEZ CES INSTRUCTIONS

- Prévenez les mises en marche non intentionnelles. Assurez-vous que l'interrupteur est en position d'arrêt avant de connecter le bloc-piles, de prendre l'appareil ou de le transporter. Transporter l'appareil en conservant les doigts près de l'interrupteur et brancher l'appareil sur une source électrique lorsque l'interrupteur est en position de marche sont deux situations qui présentent des risques d'accident.
- Rechargez la batterie uniquement avec le chargeur indiqué par le fabricant. Le chargeur adéquat pour un type de bloc-piles présente un risque de blessure et d'incendie s'il est utilisé avec un bloc-piles différent.
- Utilisez l'appareil uniquement avec un bloc-piles spécialement désigné à cet effet. L'utilisation de tout autre bloc-piles présente un risque de blessure et d'incendie.
- Utiliser la pile avec le chargeur indiqué uniquement. À utiliser avec les piles au lithium-ion ONEPWR Hoover^{MD}. Consulter la page 6 pour connaître la compatibilité du bloc-piles et du chargeur.
- Le chargeur est conçu pour être utilisé à l'intérieur seulement. Assurez-vous de toujours conserver la batterie et le chargeur dans un endroit sec.
- Débrancher le chargeur de la prise avant de procéder à tout nettoyage ou entretien de routine.
- Retirez le bloc-piles de l'appareil avant de faire un ajustement, de changer les accessoires ou d'entreposer l'appareil. Une telle mesure de précaution permet de réduire le risque que l'appareil entre accidentellement en fonction.
- Lorsque le bloc-piles n'est pas utilisé, gardez-le à l'écart d'autres objets métalliques qui peuvent établir une connexion entre les deux bornes comme des trombones, des pièces de monnaie, des clés, des clous, des vis ou d'autres petits objets métalliques. Un tel contact court-circuitant entre deux bornes de la batterie présente des risques de brûlures ou d'incendie.
- Dans des conditions extrêmes, un liquide pourrait être expulsé de la batterie. En cas de contact accidentel, rincez les régions touchées avec de l'eau. En cas de contact avec les yeux, rincez-les avec de l'eau et demandez une assistance médicale. Le liquide expulsé de la pile peut être une source d'irritation ou de brûlures.
- N'utilisez ni un bloc-piles ni un appareil endommagé ou modifié. Le fonctionnement des batteries endommagées ou modifiées peut être imprévisible et présenter des risques d'incendie, d'explosion ou de blessures.
- N'exposez pas le bloc-piles ou l'appareil au feu ou à une température excessive. L'exposition au feu ou à une température supérieure à 265 °C représente un risque d'explosion.
- Suivez toutes les instructions portant sur la recharge. Ne rechargez pas le bloc-piles ni l'appareil à des températures autres que celles indiquées dans ces instructions. Toute recharge à des températures hors de la plage indiquée présente des risques d'endommager la batterie en plus d'augmenter les risques d'incendie. Voir page 4 du manuel.
- Ce produit ne contient pas de pièces réparables.
- Ne modifiez ni l'appareil ni le bloc-piles, et ne tentez pas de les réparer, sauf dans la mesure indiquée dans les présentes instructions quant à leur utilisation et aux soins requis.
- Éloignez cet appareil dès la fin de son utilisation pour éviter les trébuchements.

MISE EN GARDE: POUR RÉDUIRE LES RISQUES DE DOMMAGE :

- Éviter de ramasser des objets durs ou aux arêtes tranchantes avec l'appareil, car ils peuvent l'endommager.
- Rangez l'appareil adéquatement à l'intérieur et dans un endroit sec. N'exposez pas l'appareil à des conditions de gel.
- N'utilisez pas d'objet aux arêtes tranchantes pour nettoyer le tuyau, car cela risquerait de l'endommager.
- Pour réduire le temps de séchage, s'assurer de bien aérer l'espace nettoyé lorsque cet appareil est utilisé avec des détergents ou d'autres produits nettoyants.
- Consulter et suivre la garantie et les recommandations des fabricants à propos de l'utilisation d'un appareil de nettoyage de plancher dur avant d'utiliser cet appareil sur un parquet dur verni.
- N'entreposez pas cet appareil en laissant de la solution dans les réservoirs.
- Après l'utilisation, de l'eau s'écoulera des brosses et du dessous de l'appareil et est susceptible de s'accumuler. Pour éviter d'endommager les parquets en bois et les planchers lamellés et pour éviter les risques de chute, observez les consignes suivantes après l'utilisation : (a) ne laissez pas l'appareil sur les surfaces en bois ou stratifiées et (b) placez-le sur un matériau absorbant (une serviette, par exemple) permettant d'éponger les déversements.

CONSIGNES DE SÉCURITÉ IMPORTANTES CONSERVEZ CES INSTRUCTIONS

AVERTISSEMENT CONCERNANT L'ÉLIMINATION DE LA PILE : RISQUE D'EXPLOSION OU D'EXPOSITION AUX MATIÈRES TOXIQUES.

BATTERIE AU LITHIUM-ION

La pile doit être recueillie, recyclée ou éliminée dans le respect de l'environnement. Le sceau de recyclage des batteries au lithium-ion de la RBRC certifié par l'EPA indique que Techtronic Industries, société affiliée à Hoover, Inc., participe volontairement à un programme de collecte et de recyclage des batteries usagées au Canada et aux États-Unis. Le programme de recyclage de la RBRC offre une solution de recharge pratique qui permet d'éviter que les piles soient jetées à la poubelle ou dans les ordures ménagères municipales, ce qui pourrait être illégal dans votre région. Visitez le www.rbrc.org/call2recycle/ pour obtenir de plus amples renseignements sur le recyclage des piles au lithium-ion ainsi que sur les interdictions et les restrictions relatives à l'élimination de ces piles dans votre région. La participation de Hoover, Inc. à ce programme témoigne de son engagement à protéger l'environnement et les ressources naturelles.



DES QUESTIONS OU DES PRÉOCCUPATIONS?

Communiquez avec nous :
Hoover.com/support ou Hoover.ca/support
800-406-2005

Suivez-nous :

Twitter: @HooverUSA

Facebook: facebook.com/hover

Ne retournez pas le produit en magasin. Le numéro de modèle se trouve sur le dessus du couvercle.

Assemblage du produit

- Enrouler le tuyau flexible autour de l'appareil, en commençant par l'avant, et déposer l'outil dans le support. Voir fig. 1, page 7
- Insérer la pile dans l'unité. Voir fig. 2, page 8
- Veiller à ce que les deux réservoirs soient correctement fixés.

⚠ AVERTISSEMENT! ⚠

Afin de réduire le risque de blessures causées par les pièces mobiles, éteignez l'appareil en mettant l'interrupteur à la position « OFF » et débranchez tous les accessoires avant d'effectuer l'entretien.

⚠ AVERTISSEMENT! ⚠

Certains tapis doux, berbères ou en fibres naturelles peuvent devenir pelucheux avec l'usure. Certains aspirateurs ou shampooineuses peuvent aggraver cette usure. Faire un test sur une zone cachée avant d'utiliser l'appareil dans une pièce entière et consulter le fabricant de la moquette pour connaître les recommandations en matière de nettoyage.

Avant de commencer:

- Ne pas utiliser la shampooineuse comme un aspirateur à sec.

N'utiliser la shampooineuse Hoover que si l'étiquette du tissu porte le code « W » (nettoyage à l'eau) ou « S/W » (solvant/à sec ou à l'eau).

- Tester la résistance des couleurs sur une petite surface hors de vue. Frottez doucement la surface à l'aide d'un chiffon blanc humide. Attendre dix minutes et vérifier si la couleur s'en va, ou essuyer avec une serviette en papier.
- Placer du papier d'aluminium ou du papier ciré autour des pieds des meubles trop lourds pour être déplacés pour empêcher la finition des meubles en bois de tacher la moquette. Relevez les jupes de meubles et draperies, et épinglez-les en place.

⚠ REMARQUE ⚠

Pour ne pas abîmer les planchers de bois situés sous les tapis ou la moquette, poser une matière étanche à l'eau (par exemple, du plastique) en dessous avant le nettoyage.

UTILISATION

Charge de l'appareil

Voir la figure 3, à la page 8

- Effectuez une charge complète de la pile avant la première utilisation. La durée de charge est d'environ 3 heures. En raison des règlements fédéraux, la pile n'est pas complètement chargée au moment de l'achat.
- Brancher le chargeur dans une prise électrique.
- Fixer le bloc-piles au chargeur en alignant les rainures en saillie sur le bloc-piles avec les rainures du chargeur. Faire glisser le bloc-piles dans le chargeur.
- Pendant la charge, les voyants de la pile s'allument pour indiquer l'état de la charge. Le voyant du chargeur clignote.
- Si le voyant du chargeur clignote en rouge, une erreur s'est produite avec la pile ou le chargeur. Réessayer ou communiquer avec le service à la clientèle pour obtenir de l'aide.
- Lorsque la charge est terminée, les voyants de la pile et le chargeur s'éteignent.
- Pour retirer le bloc-piles du chargeur, appuyez sur les loquets et tirez sur le bloc-piles vers le haut tout en tenant le chargeur.
- Pendant la charge, le bloc et la température ambiante doivent être compris entre 41 à 86 °F (5 à 30 °C).
- Le chargeur détectera si le bloc ou la température ambiante est trop froid ou trop chaud affichera un code d'erreur (le voyant DEL rouge sera allumé) et ne chargera pas le bloc.

Premiers pas

- Pour remplir le réservoir d'eau propre/de produit : Voir la figure 4 à la page 8. Soulevez et retirez le réservoir d'eau propre.

⚠ MISE EN GARDE ⚠

Ne pas remplir avec de l'eau dépassant 60 °C (140 °F).

- Dévisser le bouchon dans le sens antihoraire et le soulever pour le retirer.
- Remplir de produit prêt à l'emploi de Hoover (le cas échéant).
- Pour utiliser l'appareil avec un produit complet de Hoover, mélanger 1 c. à thé de produit à 230 g (8 oz) d'eau pour obtenir de meilleurs résultats.
- Revisser le bouchon et insérer le réservoir avec le bouchon vers le bas, puis pousser la partie supérieure jusqu'à ce que le verrou s'enclenche.
- Dérouler le tuyau. Choisir l'accessoire le plus adapté et le fixer correctement (le cas échéant).

Prétraitement

- Pour un nettoyage optimal, prétraiter les taches à l'aide d'un traitement spécifique Hoover pour faciliter l'élimination des taches les plus tenaces.
- Répartir une quantité généreuse de vaporisateur ou de gel

de prétraitement sur la tache ou la zone très passante. Toujours suivre les instructions spécifiques indiquées sur l'étiquette du produit.

- Attendre 5 à 10 minutes.

Nettoyage avec la shampooineuse portable

- Insérer l'accessoire qui convient le mieux aux besoins de nettoyage sur l'outil. **Voir la figure 5, à la page 8**
- Appuyer sur le bouton sur l'appareil pour le mettre en marche. **Voir la page 7**
- Pour les taches humides, aspirer l'excédant de liquide en plaçant l'accessoire sur la zone tachée et en appliquant une pression vers le bas à l'avant de l'accessoire de nettoyage tout en le tirant vers vous doucement. **Voir la figure 6, à la page 8**
- Appliquer une quantité généreuse de produit nettoyant sur la zone tachée en appuyant sur la gâchette derrière l'accessoire et frotter la tache en effectuant un mouvement d'avant en arrière. **Voir la figure 7, à la page 8**
- Pour éliminer la tache, aspirer la saleté et le produit nettoyant en appliquant une pression vers le bas à l'avant de l'accessoire de nettoyage tout en le tirant vers vous doucement. Répéter l'opération si nécessaire. **Voir la figure 6, à la page 8**

⚠ IMPORTANT ⚠

N'utilisez pas l'aspirateur pour toiletter un animal.

- Si vous avez besoin de nettoyer davantage, attendez que le tissu de revêtement soit bien sec avant de réutiliser l'appareil.
- Vider le réservoir d'eau usée lorsque le bruit du moteur devient plus aigu et lorsque vous notez une perte d'aspiration.
- Une fois le nettoyage terminé, suivre les instructions de la section « Entretien de votre shampooineuse portable » à la section sur l'entretien.
- Pour un nettoyage optimal, Hoover recommande de rincer les tissus d'ameublement uniquement avec de l'eau. Cela permet d'éliminer les résidus de produit nettoyant.

⚠ REMARQUE ⚠

L'utilisation d'une quantité supérieure à celle recommandée peut produire un excès de mousse.

⚠ MISE EN GARDE ⚠

N'utilisez que les produits nettoyants HOOVER^{MD} conçus pour cette machine. (Consulter la section « Produits nettoyants » de ce guide pour plus de détails.) Ils sont spécialement conçus pour être utilisés avec votre nettoyeur. Les produits autres que ceux conçus par Hoover^{MD} sont susceptibles d'endommager l'appareil et invalident la garantie.

ENTRETIEN

- Toute autre tâche d'entretien doit être confiée à un représentant de service autorisé.
- Si l'appareil ne fonctionne pas comme il le devrait, est endommagé, a été laissé à l'extérieur ou a pris l'eau, communiquer avec le service à la clientèle au 800-406-2005.

Mantener el correcto funcionamiento de la aspiradora de alfombras portátil:

- **VIDER LE RÉSERVOIR D'EAU USÉE.** Appuyer sur le bouton de DÉGAGEMENT DU RÉSERVOIR et soulever le réservoir de l'appareil. Déposer le réservoir, puis soulever le couvercle pour le vider et le rincer. L'eau propre permettra d'enlever la saleté et les débris du réservoir. Laisser le réservoir sécher à l'air libre avant de le remettre en place. **Voir la figure 8, à la page 8**
- Rincer l'accessoire sous le robinet. Enlever le couvercle

de la buse en appuyant sur le bouton de dégagement. **Voir les fig. 9 et 10, à la page 8**

- Retirez les débris de la grille rouge après chaque utilisation pour un meilleur rendement.
- Retirer les trois vis dans le bas de la shampooineuse pour accéder au tuyau et le retirer pour le nettoyer. **Voir la figure 11, à la page 8**
- Vider le réservoir de produit et le laisser sécher à l'air libre.



WARNING!

POUR RÉDUIRE LES RISQUES D'INCENDIE ET DE DÉCHARGE ÉLECTRIQUE CAUSÉS PAR DES COMPOSANTS INTERNES ENDOMMAGÉS, UTILISEZ UNIQUEMENT LES PRODUITS NETTOYANTS HOOVER^{MD} CONÇUES POUR CET APPAREIL, COMME IL EST INDIQUÉ CI-DESSOUS.



Détachant Oxy

Commence instantanément à éliminer taches et les odeurs



Détachant testé pattes et griffes

Aide à éliminer et désodorise les dégâts, les odeurs et les taches causés par les animaux



Formule prémélangée pour le nettoyage des tapis testée pattes et griffes

Aide à éliminer et désodorise les dégâts, les odeurs et les taches causés par les animaux

ACCESSOIRES

On peut trouver ces accessoires en consultant les sites Hoover.com ou Hoover.ca ou en composant le 800-406-2005.

Chaque pile ONEPWR fonctionne avec chaque produit ONEPWR.		Pièces et accessoires :	
Pile:	N° de modèle	Chargeur	BH05000
2.0 Ah	BH15020		
3.0 Ah	BH15030		
4.0Ah MAX	BH25040		

ENTRETIEN ET GARANTIE

RENSEIGNEMENTS CONCERNANT L'ENTRETIEN ET GARANTIE LIMITÉE POUR LES PRODUITS ONEPWR HOOVER®

Pour toute aide concernant la garantie ou toute question sur le produit ONEPWR Hoover, communiquer avec le service à la clientèle de Hoover. Pour un entretien aux États-Unis ou au Canada, composer le 800-406-2005.

Les frais de transport ou d'expédition à destination et en provenance du centre de réparation sont payés par le propriétaire. Indiquez toujours le numéro de modèle et le code de fabrication de votre produit pour demander des renseignements ou commander des pièces de rechange. (Le numéro de modèle et le code de fabrication du produit se trouvent sur le couvercle et à l'arrière du chargeur.) GARANTIE LIMITÉE DE DEUX ANS (USAGE DOMESTIQUE) (GARANTIE LIMITÉE DE TROIS ANS SUR LES BATTERIES)

ÉLÉMENTS COUVERTS PAR LA PRÉSENTE GARANTIE : Cette garantie limitée fournie par Royal Appliance Mfg. Co., exerçant ses activités sous TTI Floor Care North America (appelée « Hoover » ci-après) s'applique uniquement aux produits achetés aux États-Unis (y compris ses territoires et possessions), au Canada et par l'intermédiaire du programme d'échanges militaires américain. Votre produit HOVERMD et sa pile sont garantis pour des conditions normales d'utilisation et d'entretien domestiques, comme le stipule le Guide d'utilisation, contre les défauts de matériaux et de fabrication pour une période complète de deux ans à compter de la date d'achat (ci-après la « période de garantie »). Si Hoover détermine que le problème que vous rencontrez est couvert en vertu des modalités de la garantie du produit (une « réclamation couverte par la garantie »), nous réparerons alors votre produit ou vous expédierons un produit de rechange, selon la disponibilité des produits, à notre entière discrétion et sans frais (sous réserve du coût d'expédition). Les pièces de rechange peuvent être nouvelles, remises à neuf, légèrement utilisées ou réusinées, à l'entière discrétion de Hoover. Si une pièce ou une pièce de rechange n'est pas disponible, nous pourrions, à notre entière discrétion, fournir un produit de valeur égale ou supérieure, un crédit en magasin (le cas échéant) ou un remboursement équivalant au prix d'achat réel en date de l'achat initial, comme indiqué sur le reçu de vente original.

PERSONNES COUVERTES PAR LA PRÉSENTE GARANTIE : La présente garantie limitée s'applique uniquement à l'acheteur original, avec une preuve d'achat provenant de Hoover ou d'un détaillant autorisé des produits Hoover aux États-Unis, au Canada et par l'intermédiaire du programme d'échanges militaires américain.

RÉCLAMATION AU TITRE DE LA GARANTIE : Si ce produit ne fonctionne pas comme il a été annoncé, communiquer avec le service à la clientèle de Hoover. S'assurer d'avoir en main la preuve d'achat et le numéro de modèle du produit couvert par la garantie.

ÉLÉMENTS NON COUVERTS PAR LA PRÉSENTE GARANTIE : La présente garantie ne couvre pas toute utilisation commerciale du produit (p. ex., utilisation dans le cadre de services ménagers, de conciergerie ou de location de matériel ou de toute autre activité générant un revenu), l'entretien inadéquat du produit, l'utilisation inadéquate du produit, la négligence, les actes de vandalisme ou l'utilisation d'une tension électrique autre que celle indiquée sur la plaque signalétique de ce produit. La présente garantie ne couvre pas les dommages résultant d'un cas de force majeure, d'un accident, d'actes ou d'omission de la part du propriétaire, de l'entretien de ce produit autre que par Hoover ou un fournisseur de service autorisé par Hoover (le cas échéant) ou en raison d'autres actes qui sont hors du contrôle de Hoover. La présente garantie ne couvre pas non plus l'utilisation à l'extérieur du pays d'achat initial du produit ni sa revente par le propriétaire original. La présente garantie ne couvre pas le ramassage, la livraison, le transport et la réparation à domicile. De plus, elle ne couvre pas les produits qui ont été modifiés, les réparations nécessaires en raison de l'usure normale ou l'utilisation de pièces ou d'accessoires qui sont incompatibles avec le produit de Hoover ou qui nuisent à son fonctionnement, à son rendement ou à sa durabilité. Les articles ayant une usure normale qui ne sont pas couverts par cette garantie comprennent, sans s'y limiter, les courroies, les filtres, les rouleaux-brosses, les ventilateurs soufflants, le souffleur et les tuyaux d'aspirateur, les sacs d'aspirateurs et les attaches.

Communiquer avec le service à la clientèle de Hoover au 800-406-2005 pour obtenir des renseignements sur la façon d'expédier ce produit. La présente garantie ne s'applique pas aux produits achetés hors des États-Unis (ce qui comprend ses territoires et possessions), hors du programme d'échanges militaires américain et hors du Canada.

AUTRES CONDITIONS IMPORTANTES : La présente garantie n'est pas transférable et ne peut être cédée; toute cession effectuée en violation de cette interdiction est annulée. La présente garantie sera régie et interprétée selon les lois de l'État de la Caroline du Nord. La Période de garantie ne peut pas être prolongée par une réparation ou un remplacement des piles ou des pièces exécutés en vertu de la présente garantie, quels qu'ils soient.

LA PRÉSENTE GARANTIE EST L'UNIQUE GARANTIE ET RECOURS ET TOUTE GARANTIE EXPLICITE OU IMPLICITE AUTRE QUE LA GARANTIE LIMITÉE PRÉSENTÉE CI-DESSUS, Y COMPRIS LES GARANTIES IMPLICITES DE QUALITÉ MARCHANDE ET DE CONVENANCE À UNE FIN PARTICULIÈRE, EST EXPRESSÉMENT DÉCLINÉE. HOOVER NE POURRA EN AUCUN CAS ÊTRE TENUE RESPONSABLE DE TOUS DOMMAGES INTÉRÊTS SPÉCIAUX OU DOMMAGES INDIRECTS, ACCESSOIRES OU CONSÉCUTIFS DE QUELQUE NATURE QUE CE SOIT SUBIS PAR LE PROPRIÉTAIRE DU PRODUIT OU PAR TOUTE PARTIE RÉCLAMANT PAR L'INTERMÉDIAIRE DU PROPRIÉTAIRE, QU'ILS RELEVANT DE LA RESPONSABILITÉ CONTRACTUELLE, DE LA NÉGLIGENCE, DE LA RESPONSABILITÉ CIVILE DÉLICTEUELLE OU DE LA RESPONSABILITÉ STRICTE DU FAIT DES PRODUITS, OU QU'ILS DÉCOULENT DE QUELQUE CAUSE QUE CE SOIT. DANS LES LIMITES PERMISES PAR LA LOI APPLICABLE, AUCUNE GARANTIE RÉSULTANT D'UNE THÉORIE JURIDIQUE, LE CAS ÉCHÉANT, NE PEUT DÉPASSER LA DURÉE DE LA GARANTIE LIMITÉE AUX PRÉSENTES. LA RESPONSABILITÉ DE HOOVER À VOTRE ENDROIT POUR TOUS LES COÛTS, QUELS QU'ILS SOIENT, DÉCOULANT DE CETTE DÉCLARATION DE GARANTIE LIMITÉE SE LIMITE AU MONTANT PAYÉ POUR CE PRODUIT AU MOMENT DE L'ACHAT INITIAL. HOOVER NE PEUT ÊTRE TENUE RESPONSABLE DE TOUT DOMMAGE DIRECT, INDIRECT, CONSÉCUTIF OU ACCIDENTEL RÉSULTANT DE L'UTILISATION DE CE PRODUIT OU DE L'IMPOSSIBILITÉ DE L'UTILISER.

Certains États n'autorisent pas l'exclusion ni la restriction des dommages indirects ou accessoires, l'exclusion de garanties implicites ou les limites de durée d'une garantie implicite; par conséquent, les restrictions ou exclusions précédentes peuvent ne pas s'appliquer.

La présente garantie vous donne des droits précis. Vous pouvez également avoir d'autres droits, lesquels varient d'une province à l'autre.

Bienvenido al

ONE PWR SYSTEM

Limpie aún más, más rápido y fácil con libertad inalámbrica



PROTEJA SU COMPRA

Para registrar su producto, vaya a la URL siguiente y siga los pasos hasta finalizar.
[HOOVER.COM/PRODUCT-REGISTRATION](https://www.hoover.com/product-registration)

INSTRUCCIONES DE SEGURIDAD IMPORTANTES

CONSERVE ESTAS INSTRUCCIONES

Cuando se utilizan aparatos eléctricos, se deben seguir siempre precauciones básicas, incluidas las siguientes:

LEA TODAS LAS INSTRUCCIONES ANTES DE UTILIZAR ESTE APARATO

EL ÚNICO USO PREVISTO PARA ESTE PRODUCTO ES EL USO DOMÉSTICO. SI SE LO UTILIZA CON FINES COMERCIALES, LA GARANTÍA QUEDARÁ ANULADA.

ADVERTENCIA: PARA DISMINUIR EL RIESGO DE INCENDIO, DESCARGA ELÉCTRICA, DAÑOS O LESIONES:

- Arme la unidad por completo antes de ponerla en funcionamiento.
- No cargue la batería en exteriores o en superficies mojadas ni almacene la unidad en dichos lugares. Evite que el cargador se moje.
- NO exponer a la lluvia, almacenar en interiores.
- Evite que la unidad se utilice como un juguete. Los niños de 12 años o menos no deben utilizar la unidad. Cuando se lo utilice cerca de niños, será necesario hacerlo bajo una estricta supervisión. Para evitar lesiones o daños, mantenga a los niños alejados del producto y no permita que introduzcan los dedos ni objetos en ninguna de las aberturas del producto.
- Utilice la unidad únicamente según se describe en este manual. Utilice solamente los accesorios y productos recomendados por Hoover®.
- No utilice el cargador si el cable o el enchufe se encuentran dañados. Si el aparato o el cargador no funcionan como deben; si se han caído, han sido dañados, dejados a la intemperie o sumergidos en agua, llame al servicio de atención al cliente al 1800-406-2005.
- No extraiga ni transporte el cargador tomándolo por el cable; no tire del cable, no cierre una puerta con él ni lo enrosque alrededor de bordes o esquinas filosas. No apoye el producto sobre el cable. No pase el aparato por encima del cable. Mantenga el cable lejos de las superficies calientes.
- No desenchufe el cargador tirando del cable. Para desenchufarlo, agarre el enchufe, no el cable.
- No manipule el cargador (incluido el enchufe y los terminales) ni el aparato con las manos mojadas.
- No coloque ningún objeto en las aberturas. No utilice la unidad si alguna de sus aberturas se encuentra bloqueada. Manténgala libre de polvo, pelusas, cabello y cualquier otro elemento que pueda disminuir el flujo de aire.
- Evite que el cabello, la ropa suelta, los dedos y cualquier

otra parte del cuerpo entren en contacto con las aberturas y las piezas móviles de la unidad.

- Extreme las precauciones cuando limpie en escaleras. Para evitar lesiones o daños físicos, y a fin de evitar que la aspiradora se caiga, siempre colóquela al pie de las escaleras, sobre el suelo. No coloque la aspiradora sobre las escaleras ni sobre un mueble, ya que pueden generarse lesiones o daños.
- No utilice la unidad para aspirar líquidos combustibles o inflamables, tales como gasolina o restos de madera lijada, ni la utilice en áreas en las que dichas sustancias puedan estar presentes.
- No aspire nada que se encuentre en combustión o emita humo, como cigarrillos, fósforos o cenizas calientes.
- No utilice la unidad si esta no tiene colocados los filtros y/o los tanques.
- No limpie por encima de los tomacorrientes de piso.
- Debido a daños de los componentes internos, utilice únicamente productos de limpieza Hoover® con fines de uso para esta máquina. Consulte la sección "productos de limpieza" de este manual.
- No incinere el cargador, la batería ni el aparato, aun si estuvieran muy dañados. Las baterías pueden explotar y provocar un incendio.

ADVERTENCIA

RIESGO DE INCENDIO, DAÑOS A LA PROPIEDAD Y LESIONES. NUNCA EXPONGA EL PAQUETE DE BATERÍAS NI EL CARGADOR AL AGUA, LA HUMEDAD O LOS LÍQUIDOS, INCLUIDOS, ENTRE OTROS, LOS LÍQUIDOS CORROSIVOS O CONDUCTORES. NI PERMITA QUE LOS LÍQUIDOS FLUYAN DENTRO DE ESTOS ELEMENTOS.

Los líquidos corrosivos o conductores, como el agua salada, el cloro, ciertos productos químicos industriales, y la lavandina o los productos a base de lavandina, etc., pueden provocar un cortocircuito en el paquete de baterías. Si el paquete de baterías se expone a un líquido corrosivo o conductor, no intente usar ni cargar el paquete de baterías, y realice los pasos siguientes de inmediato:

- Utilice el equipo personal protector adecuado, incluida protección ocular y guantes de goma.
- Coloque el paquete de baterías expuesto en un cubo grande, como un cubo de 5 galones (18 litros) o similar, y llene el cubo con agua corriente común. No coloque más de dos paquetes en el cubo.
- Coloque el cubo en exteriores, en una zona inaccesible para los niños y las mascotas, y lejos de edificios, garajes/cobertizos, estructuras, vehículos y materiales combustibles/inflamables.
- Deje el paquete de baterías en el cubo lleno con agua corriente y llame al Servicio de atención al cliente al 1-888-768-2014 para obtener instrucciones adicionales para desechar correctamente los paquetes de baterías expuestos.

INSTRUCCIONES DE SEGURIDAD IMPORTANTES

CONSERVE ESTAS INSTRUCCIONES

- Evite el encendido accidental. Asegúrese de que el interruptor esté en la posición de apagado antes de conectar el paquete de baterías, de levantar o de transportar el artefacto. Transportar el artefacto con su dedo en el interruptor o conectar el artefacto con el interruptor encendido puede provocar accidentes.
- Recargue la unidad solo con el cargador especificado por el fabricante. Un cargador adaptado para un tipo de paquete de baterías puede crear un riesgo de lesiones e incendio cuando se lo utiliza con otro paquete de baterías.
- Use la batería solo con el cargador adecuado. Para usar con baterías de litio Hoover(R) ONEPWR. Consulte la compatibilidad de la batería y el cargador en la página "6".
- El cargador es para uso en interiores solamente. Siempre asegúrese de guardar la batería y el cargador en un lugar seco.
- Use el aparato solo con los paquetes de baterías diseñados específicamente. El uso de un paquete distinto puede crear un riesgo de lesiones e incendios.
- Desenchufe el cargador del tomacorriente antes de llevar a cabo una rutina de limpieza o mantenimiento en la unidad.
- Desconecte el paquete de baterías del aparato antes de realizar ajustes, cambiar accesorios o almacenar el aparato. Dichas medidas de seguridad preventivas reducen el riesgo de arrancar el aparato en forma accidental.
- Cuando el paquete de baterías no se encuentra en uso, manténgalo alejado de otros objetos de metal, como sujetadores de papeles, monedas, llaves, clavos, tornillos u otros objetos metálicos pequeños que puedan realizar una conexión desde una terminal a la otra. Si se produce un cortocircuito entre las terminales se pueden generar quemaduras o incendios.
- Bajo condiciones severas, puede eyectarse líquido desde la batería. Evite el contacto. Si sucede un contacto accidental, lávese con agua. Si el líquido entra en contacto con los ojos, busque asistencia médica adicional. El líquido eyectado desde la batería puede provocar irritación o quemaduras.
- No use un paquete de baterías o un aparato que esté dañado o se haya modificado. Las baterías dañadas o modificadas pueden exhibir un comportamiento impredecible que puede provocar incendios, explosiones o riesgo de lesiones.
- No exponga el paquete de baterías o el aparato al fuego o a temperaturas excesivas. La exposición al

fuego o a temperaturas sobre los 265 °C puede causar una explosión.

- Siga todas las instrucciones de carga y no cargue el paquete de baterías ni el aparato fuera del rango de temperaturas especificado en las instrucciones. La carga incorrecta o a temperaturas que estén fuera del rango especificado puede dañar la batería y aumentar el riesgo de incendios. Vea la página 4 del manual.
- Este producto no contiene piezas que el usuario pueda reparar.
- No modifique ni intente reparar el aparato o el paquete de baterías, excepto como se indica en las instrucciones de uso y mantenimiento.
- Guarde el producto luego de su uso para evitar tropezarse accidentalmente.

PRECAUCIÓN: PARA DISMINUIR EL RIESGO DE DAÑOS:

- Evite aspirar objetos duros y filosos con este producto, ya que pueden dañarlo.
- Almacénelo apropiadamente en interiores, en un lugar seco. No exponga la máquina a temperaturas bajo cero.
- No utilice objetos filosos para limpiar la manguera, ya que pueden dañar la unidad.
- Para ayudar a reducir el tiempo de secado, asegúrese de que el área esté bien ventilada cuando utilice detergentes y otros limpiadores con esta máquina.
- Verifique y siga la garantía y las recomendaciones de los fabricantes de pisos con respecto al uso de máquinas de limpieza para pisos duros antes de utilizar este producto en pisos duros sellados.
- No guarde el extractor con solución en los tanques.
- Después del uso, goteará agua desde los cepillos y por la parte inferior del producto que puede acumularse. Para evitar daños en pisos de madera y laminados y posibles riesgos de caídas, después de cada uso (a) no deje el producto sobre superficies de madera o laminado y (b) coloque el producto sobre un material absorbente (como una toalla) para secar el goteo.

INSTRUCCIONES DE SEGURIDAD IMPORTANTES CONSERVE ESTAS INSTRUCCIONES

ADVERTENCIA SOBRE LA ELIMINACIÓN DE LA BATERÍA::

RIESGO DE EXPLOSIÓN O EXPOSICIÓN A MATERIAL TÓXICO.

BATERÍAS DE IONES DE LITIO

La batería se debe recolectar, reciclar o desechar de una forma que no sea perjudicial para el medio ambiente. El Sello de Reciclado de Baterías RBRC certificado por la Agencia de Protección Ambiental (EPA, por sus siglas en inglés) que se encuentra en la batería de iones de litio (Li-ion) indica que Techtronic Industries, una filial de la empresa de Hoover, Inc., participa voluntariamente en un programa industrial para recolectar y reciclar estas baterías al final de su vida útil, cuando se sacan de servicio, en Estados Unidos o Canadá. El programa RBRC proporciona una buena alternativa a desechar las baterías de iones de litio utilizadas en la basura o en caudales de residuos municipales, lo que puede ser ilegal en su área. Visite la página www.rbrc.org/call2recycle/ para obtener información sobre las prohibiciones/restricciones en su área, en relación con el reciclado y desecho de las baterías de iones de litio. La participación de Hoover, Inc. en este programa es parte de nuestro compromiso con la preservación de nuestro medio ambiente y la conservación de nuestros recursos naturales.



¿TIENE PREGUNTAS O INQUIETUDES?

Póngase en contacto con nosotros:
Hoover.com/support or Hoover.ca/support
800-406-2005

Comuníquese con nosotros:
Twitter: @HooverUSA

Facebook: [facebook.com/hoover](https://www.facebook.com/hoover)

No devuelva la unidad a la tienda. Vea la parte superior de la tapa para consultar el número de modelo.

Ensamblaje del producto

- Enrolle la manguera flexible alrededor de la unidad comenzando desde la parte delantera, y coloque la herramienta en el soporte **Consulte la Figura 1 en la página 7**
- Inserte la batería en la unidad **Consulte la Figura 2 en la página 8**
- Asegúrese de que ambos tanques estén calzados en una posición trabada

⚠ ADVERTENCIA ⚠

Para reducir el riesgo de sufrir lesiones personales por las piezas móviles, apague el interruptor de alimentación y desconecte todos los accesorios antes de realizar un servicio de mantenimiento.

⚠ ADVERTENCIA ⚠

Algunas alfombras de berebere, de fibra natural y de fibra suave pueden despeluzarse con el uso. Algunas aspiradoras y aspiradoras de alfombras pueden empeorar este desgaste. Pruebe una superficie que no esté a la vista antes de usarlo en toda la habitación y consulte con el fabricante de su alfombra sobre las recomendaciones de limpieza.

Antes de comenzar la limpieza:

- No use la aspiradora de alfombras como aspiradora en seco.

Use la aspiradora de alfombras portátil Hoover solo si la tela del tapizado está marcada con una "H" (para limpieza en húmedo) o "H/S" (solo para limpieza con solvente/en seco)

- Pruebe la resistencia al color en una superficie pequeña que no esté a la vista. Fregue suavemente la superficie con un trapo blanco humedecido. Espere diez minutos y pruebe la remoción del color o la purga con una toalla de papel blanca.
- Coloque papel aluminio o encerado debajo de las patas de los muebles que sean muy pesados para mover, para prevenir que el acabado de la madera manche la alfombra. Fije los tapizados y cortinas.

⚠ NOTA ⚠

Para evitar el daño de sus pisos de madera debajo de los tapetes o alfombras, coloque material impermeable (por ejemplo, plástico) debajo de estos antes de limpiarlos.

FUNCIONAMIENTO

Carga del producto

Consulte la Figura 3 en la página 8

- Cargue la batería por completo antes de utilizar la unidad por primera vez. La carga puede demorar hasta 3 horas. Debido a reglamentaciones federales la batería no viene completamente cargada.
- Enchufe el cargador en el tomacorriente.
- Conecte el paquete de baterías al cargador alineando los rebordes del paquete de baterías con las ranuras del cargador. Deslice el paquete de baterías en el cargador.
- Cuando realice la carga, las luces de la batería se iluminarán para mostrar el estado de la carga. La luz del cargador parpadeará.
- Si la luz del cargador parpadea en color rojo, existe un error con la batería o el cargador. Intente nuevamente o llame al servicio de atención al cliente para obtener asistencia.
- Cuando finalice la carga, las luces de la batería y del cargador se apagarán.
- Para extraer el paquete de baterías del cargador, presione los pestillos y tire del paquete de baterías hacia arriba mientras sostiene el cargador.

- Durante la carga, la temperatura del paquete y la temperatura ambiente deben ser de 41 a 86°F (5 a 30°C).

El cargador controlará que el paquete, o la temperatura ambiente, estén muy frías o muy calientes, y enviará un código de error (el LED rojo estará encendido) y no cargará el paquete.

Cómo comenzar

- Para llenar el tanque de agua limpia/solución. **Consulte la Figura 4 de la página 8.** Levante para quitar el tanque de agua limpia.

⚠ ADVERTENCIA ⚠

No llene el tanque con agua con más de 60 °C (140 °F)

- Gire la tapa en sentido antihorario y empuje para extraerla.
- Llene con solución lista para usar de Hoover (si corresponde).
- Para usar con soluciones de tamaño completo de Hoover, mezcle una cucharada de solución por cada 0.23 litros (8 onzas) de agua para obtener mejores resultados.
- Vuelva a colocar la tapa en forma segura e inserte el tanque con la tapa hacia abajo, luego, presione hacia abajo hasta que encastre en su lugar.
- Desenrolle la manguera de la unidad. Seleccione la herramienta preferida y asegúrese de que esté conectada de manera segura (si corresponde).

Tratamiento previo

- Para mejores resultados de limpieza, trate las manchas previamente con un tratamiento para manchas Hoover para ayudar a aflojar y remover incluso las manchas más rebeldes.
- Distribuya una cantidad generosa de tratamiento previo en aerosol o en gel sobre las manchas o las áreas más transitadas. Siga siempre las instrucciones específicas que se encuentran en la etiqueta del detergente.
- Espere de 5 a 10 minutos.

Cómo limpiar con su Aspiradora de alfombras portátil

- Inserte el accesorio que se mejor se adapta a sus necesidades de limpieza en la herramienta. Consulte la Figura 5 en la página 8
- Presione el botón de encendido de la parte superior de la unidad para encenderla. Consulte la página 7
- Para manchas húmedas, succione el exceso de líquido colocando la herramienta en el área manchada y aplicando presión sobre el frente de la herramienta de limpieza mientras tira lentamente hacia su lado. Consulte la Figura 6 en la página 8
- Rocíe una cantidad generosa de solución de limpieza sobre el área manchada presionando el gatillo detrás de la herramienta y fregando la mancha con movimientos hacia delante y hacia atrás. Consulte la Figura 7 en la página 8
- Para levantar la mancha, succione la suciedad y la solución de limpieza aplicando presión hacia abajo sobre el frente de la herramienta de limpieza y tirando hacia su lado. Repita el paso si es necesario. Consulte la Figura 6 en la página 8

⚠ IMPORTANTE ⚠

La aspiradora no debe utilizarse para limpiar mascotas.

- Si se necesita limpieza adicional, espere hasta que el tapizado esté seco por completo antes de volver a utilizar la herramienta.
- Vacíe el tanque de agua sucia cuando el sonido del motor se haga más agudo y disminuya la aspiración.
- Cuando finalice la limpieza, siga las instrucciones en "Mantener el correcto funcionamiento de la aspiradora de alfombras portátil" de sección de mantenimiento.
- Para obtener mejores resultados, Hoover recomienda enjuagar el tapizado solo con agua. Esto elimina el detergente de limpieza residual.

⚠ NOTA ⚠

Usar más de la cantidad recomendada de solución de limpieza puede provocar espuma excesiva.

⚠ ADVERTENCIA ⚠

Utilice únicamente productos de limpieza Hoover® con fines de uso para esta máquina. (Consulte la sección "Productos de limpieza" de este manual para ver más detalles). Están especialmente formulados para el uso con su aspiradora. Las soluciones de limpieza que no son de Hoover® pueden dañar su máquina y anular la garantía.

MANTENIMIENTO

- Cualquier otra tarea de mantenimiento la debe realizar un representante de servicio autorizado.
- Si el aparato no funciona como debe, si se ha caído, ha sido dañado, dejado a la intemperie o sumergido en agua, comuníquese con el servicio de atención al cliente llamando al 800-406-2005.

Mantener el correcto funcionamiento de la aspiradora de alfombras portátil:

- **VACÍE EL TANQUE DE AGUA SUCIA.** Presione el botón de LIBERACIÓN DEL TANQUE y eleve el tanque de la unidad. Apoye el tanque y, luego, levante la tapa para vaciar y enjuagar. El agua limpia ayuda a eliminar la suciedad y los desechos del tanque. Deje secar antes de volver a instalarlo. Consulte la Figura 8 en la página 8

- Enjuague la herramienta debajo del grifo. Retire la cubierta de la boquilla presionando el botón de liberación. Consulte las Figuras 9 y 10 en la página 8
- Para un mejor desempeño, remueva los desechos de la pantalla roja después de cada uso.
- Retire los tres tornillos de la parte inferior de la aspiradora de alfombras para acceder a la manguera y extraerla para limpiarla. Consulte la Figura 11 en la página 8
- Vacíe el tanque de solución y déjelo secar al aire libre.

⚠ WARNING! ⚠

PARA REDUCIR EL RIESGO DE INCENDIO Y DESCARGA ELÉCTRICA DEBIDO A DAÑOS DE LOS COMPONENTES INTERNOS, UTILICE ÚNICAMENTE PRODUCTOS DE LIMPIEZA HOOVER® DISEÑADAS PARA EL PRODUCTO, COMO SE INDICA ABAJO.



Limpiador de manchas Oxy
Comienza a quitar manchas, suciedad y olores instantáneamente



Limpiador de manchas Paws & Claws
Ayuda a eliminar y desodoriza la suciedad, los olores y las manchas de mascotas



Formula de limpieza premezclada para alfombras Paws & Claws
Ayuda a eliminar y desodoriza la suciedad, los olores y las manchas de mascotas

Busque estos accesorios en Hoover.com o Hoover.ca o llame al 800-406-2005.

Todas las baterías ONEPWR funcionan con todos los productos ONEPWR.		Piezas y accesorios:	
Batería:	N.º de modelo	Cargador	BH05000
2.0 Ah	BH15020		
3.0 Ah	BH15030		
4.0Ah MAX	BH25040		

INSTRUCCIONES DE SEGURIDAD

INFORMACIÓN DE SERVICIO Y GARANTÍA LIMITADA PARA PRODUCTOS ONEPWR DE HOOVER®

Si necesita ayuda con la garantía, o tiene preguntas sobre su producto ONEPWR de Hoover, comuníquese con el Servicio de atención al cliente. Para el servicio en EE. UU. o Canadá, llame al 800-406-2005.

El propietario deberá pagar todos los costos de envío y/o transporte desde y hasta cualquier lugar de reparación. Identifique su producto de acuerdo al número del modelo y el código de fabricación cuando solicite información o realice el pedido de las piezas de repuesto. (El número de modelo y el código de fabricación del producto aparecen arriba de la tapa y en la parte trasera del cargador). GARANTÍA LIMITADA DE DOS AÑOS (USO DOMÉSTICO) (GARANTÍA LIMITADA DE BATERÍA DE TRES AÑOS)

COBERTURA DE LA GARANTÍA LIMITADA: Esta garantía limitada provista por Royal Appliance Mfg. Co., que realiza negocios como TTI Floor Care North America (a la que se hará referencia como "Hoover" en el presente documento) se aplica solo a productos adquiridos en EE. UU. (incluidos sus territorios y posesiones), una Tiendas de intercambios militares de los EE. UU. o Canadá. En casos de uso y mantenimiento domésticos en condiciones normales y conforme a la Guía del propietario, el producto y la batería Hoover® tienen garantía contra fallas de fábrica en los materiales y fallas por mano de obra por un periodo de dos años desde la fecha de compra original (en adelante, el "Plazo de la garantía"). Si Hoover determina que el problema que presenta cuenta con la cobertura de los términos de la garantía del producto (un "reclamo de la garantía cubierto"), a nuestro criterio y sin costo (sujeto al costo de envío), repararemos su producto o enviaremos un producto de reemplazo, que será nuevo o refabricado y estará sujeto a disponibilidad. Las piezas y reemplazos pueden ser nuevos, reacondicionados, con poco uso o refabricados, según el criterio de Hoover. Si no hay piezas y reemplazos disponibles, a nuestro criterio, podemos otorgar un producto similar de igual o superior valor, un crédito para la compra (si corresponde) o reembolsar el precio de la compra real al momento de la compra original, tal como se indique en el recibo de venta original.

PERSONAS AFECTADAS POR LA COBERTURA DE LA GARANTÍA LIMITADA: Esta garantía limitada se extiende únicamente al comprador minorista original, con comprobante de compra original de Hoover o un distribuidor autorizado de productos Hoover, en EE. UU., Tiendas de intercambios militares de los EE. UU., y en Canadá.

¿CÓMO HACER UN RECLAMO DE LA GARANTÍA?: Si este producto no cumple con la garantía, comuníquese con el Servicio de atención al cliente de Hoover. Tenga a mano el comprobante de compra y el número de modelo para el producto cubierto por la garantía.

¿QUÉ ES LO QUE NO CUBRE ESTA GARANTÍA LIMITADA?: Esta garantía no cubre el uso del producto en operaciones comerciales (tales como servicios de limpieza, portería y servicios de alquiler de equipos, u otra actividad generadora de ingresos); el mantenimiento inadecuado del producto; el producto si ha sido expuesto a abuso, negligencia, mal uso, vandalismo o el uso de voltajes diferentes a los especificados en la placa de identificación del producto. Esta garantía no cubre los daños provocados por actos fortuitos, accidentes, actos u omisiones del propietario, mantenimiento del producto por parte de un proveedor de servicios distinto de Hoover o no autorizado por Hoover (si corresponde), u otros actos que excedan el control de Hoover. Esta garantía tampoco cubre el uso fuera del país en el que se compró el producto originalmente, o la reventa del producto que realizare el propietario original. Esta garantía no cubre la recolección, la entrega, el transporte ni las llamadas domésticas. Además, esta garantía no cubre ningún producto que haya sido alterado o modificado, reparado en forma necesario por el desgaste normal, o en el cual se hayan utilizado piezas o accesorios incompatibles con el producto Hoover o que afecten de manera negativa su funcionamiento, rendimiento o durabilidad. Los elementos con desgaste normal que no estén cubiertos por esta garantía incluyen, entre otros, correas, filtros, cepillos giratorios, ventiladores sopladores, sopladores y tubos aspiradores, y bolsas y cintas para la aspiradora.

Llame al Servicio de atención al cliente de Hoover al 800-406-2005 para obtener información sobre cómo enviar este producto. Esta garantía no se aplica a los productos comprados fuera de los Estados Unidos, tiendas de intercambios militares de los EE. UU. o Canadá.

OTROS TÉRMINOS IMPORTANTES: Esta garantía no es transferible y no puede asignarse, cualquier asignación realizada en contravención con esta prohibición quedará nula. Esta garantía se registrará e interpretará bajo las leyes del estado de Carolina del Norte. El Plazo de la garantía no se prolongará por el reemplazo de las baterías o piezas, ni por cualquier reparación realizada conforme a esta garantía.

ESTA GARANTÍA TIENE PREVALENCIA EXCLUSIVA COMO TAL Y COMO RECURSO LEGAL, Y QUEDAN EXPRESAMENTE RECHAZADAS TODAS LAS GARANTÍAS EXPRESAS E IMPLÍCITAS DIFERENTES DE LA GARANTÍA LIMITADA ESTABLECIDA ANTERIORMENTE RESPECTO DE ESTE PRODUCTO, CON INCLUSIÓN DE LAS GARANTÍAS IMPLÍCITAS DE APTITUD PARA LA VENTA O ADECUACIÓN A FINES ESPECÍFICOS, EN NINGÚN CASO, HOOVER SERÁ RESPONSABLE POR LOS DAÑOS ESPECIALES, INDIRECTOS, INCIDENTALES O CONSECUENTES DE NINGÚN TIPO QUE SUFRA EL PROPIETARIO O CUALQUIER PARTE QUE RECLAME POR INTERMEDIO DE ESTE, YA SEA CON BASE EN UN CONTRATO, POR NEGLIGENCIA, HECHO ILÍCITO CIVIL O RESPONSABILIDAD OBJETIVA, NI POR NINGUNA OTRA CAUSA, EN LA MÁXIMA MEDIDA PERMITIDA POR LAS LEYES APLICABLES, NINGUNA GARANTÍA QUE SURJA DE LA APLICACIÓN DE LA LEY, SI ES APLICABLE, SUPERARÁ LA DURACIÓN DE LA GARANTÍA LIMITADA AQUÍ PROVISTA. LA RESPONSABILIDAD DE HOOVER POR DAÑOS Y POR TODO GASTO QUE SURJA DE ESTA DECLARACIÓN DE GARANTÍA LIMITADA QUEDARÁ RESTRINGIDA AL MONTO ABONADO POR ESTE PRODUCTO AL MOMENTO DE SU COMPRA ORIGINAL, Y HOOVER NO SERÁ RESPONSABLE DE NINGÚN DAÑO DIRECTO, INDIRECTO, EMERGENTE O INCIDENTAL QUE SURJA DEL USO O DE LA IMPOSIBILIDAD DE USO DE ESTE PRODUCTO.

Algunos estados no permiten la exclusión o la limitación de daños incidentales o consecuentes, descargos de garantías implícitas o limitaciones con respecto a la duración de garantías implícitas; por lo tanto, es posible que las exclusiones, los descargos y/o las limitaciones no se apliquen en su caso.

Esta garantía le otorga derechos legales específicos. También puede tener otros derechos, que varían según el estado.

