



### Description & Features:

- A general purpose, versatile 1" (25mm) to 6" (150mm) dial, 304 stainless steel thermometer
- Bi-metallic sensing element for reliable readings
- Back, bottom or adjustable angle connection
- Welded stem length from 2.5" (63mm) and up
- ±1% accuracy
- Anti-parallax dial that reduces operator reading errors (3" - 6")
- Recalibrator screw is standard on all dial sizes
- ASME B40.200 compliant
- 5 year warranty

### Applications:

- Industrial process, heating and air conditioning, ventilation and wastewater

### Specifications

<b>Dial</b>	1" (25mm), 2" (50mm): Aluminum with black markings, flat dial 3" (75mm), 4" (100mm), 5" (125mm), 6" (150mm): Aluminum with black markings, anti-parallax dial
<b>Case</b>	AISI 304 SS
<b>Stem</b>	AISI 304 SS welded to socket, centre back, bottom or adjustable angle configurations (316 SS optional*) 2" (50mm) dial: Centre back connection only
<b>Recalibrator Screw</b>	Standard
<b>Lens</b>	1" (25mm): Acrylic Others: Glass standard, hermetically sealed
<b>Ring</b>	AISI 304 SS
<b>Connection</b>	1" (25mm): None 2" (50mm): 1/4" NPT standard 3" (75mm), 4" (100mm), 5" (125mm), 6" (150mm): 1/2" NPT standard
<b>Sensing Element</b>	Bi-metallic coil
<b>Pointer</b>	Aluminum, painted black
<b>Maximum Operating Pressure</b>	125 psi (861 kPa)
<b>Operating Temperature</b>	75% of full scale value (recommended maximum)
<b>Ambient Temperature</b>	-58°F to 248°F (-50°C to 120°C)
<b>Accuracy</b>	±1% of full scale
<b>Enclosure Rating</b>	IP68

\*Contact Winters for 316 SS requirements

Note: The use of a thermowell is recommended to protect the thermometer in corrosive or pressure applications, as well as to maintain a closed system during its removal from the process

### Order Codes (products in bold are normally in stock)

1" (25mm) Dial, Fixed Centre Back	
Temperature Range	5" Stem Length Code
0°F to 250°F&C	<b>TBM10050B8</b>
-40°F to 160°F	<b>TBM10050B15</b>

2" (50mm) Dial, Fixed Centre Back		
Temperature Range	2.5" Stem Length Code	4" Stem Length Code
-40°F to 120°F&C	<b>TBM20025B2</b>	-
0°F to 140°F&C	<b>TBM20025B3</b>	-
0°F to 200°F&C	<b>TBM20025B6</b>	-
20°F to 240°F&C	-	<b>TBM20040B7</b>
0°F to 250°F&C	<b>TBM20025B8</b>	<b>TBM20040B8</b>
50°F to 300°F&C	<b>TBM20025B9</b>	-
50°F to 400°F&C	<b>TBM20025B10</b>	-
50°F to 500°F&C	<b>TBM20025B11</b>	-

3" (75mm) Dial, Fixed Centre Back				
Temperature Range	2.5" Stem Length Code	4" Stem Length Code	6" Stem Length Code	9" Stem Length Code
-40°F to 120°F&C	<b>TBM30025B2</b>	<b>TBM30040B2</b>	<b>TBM30060B2</b>	-
0°F to 140°F&C	<b>TBM30025B3</b>	-	-	-
-40°F to 160°F&C	-	-	<b>TBM30060B4</b>	-
0°F to 200°F&C	<b>TBM30025B6</b>	<b>TBM30040B6</b>	<b>TBM30060B6</b>	-
20°F to 240°F&C	<b>TBM30025B7</b>	<b>TBM30040B7</b>	<b>TBM30060B7</b>	-
0°F to 250°F&C	<b>TBM30025B8</b>	<b>TBM30040B8</b>	<b>TBM30060B8</b>	<b>TBM30090B8</b>
50°F to 300°F&C	<b>TBM30025B9</b>	<b>TBM30040B9</b>	<b>TBM30060B9</b>	<b>TBM30090B9</b>
50°F to 400°F&C	<b>TBM30025B10</b>	<b>TBM30040B10</b>	-	-
50°F to 500°F&C	<b>TBM30025B11</b>	<b>TBM30040B11</b>	<b>TBM30060B11</b>	<b>TBM30090B11</b>
150°F to 750°F&C	-	<b>TBM30040B12</b>	<b>TBM30060B12</b>	-
200°F to 1,000°F&C	-	<b>TBM30040B13</b>	-	-
-40°F to 120°F	-	<b>TBM30040B14</b>	-	-
0°F to 250°F	<b>TBM30025B19</b>	<b>TBM30040B19</b>	-	-

3" (75mm) Dial, Bottom		
Temperature Range	2.5" Stem Length Code	4" Stem Length Code
20°F to 240°F&C	-	<b>TBM31040B7</b>
0°F to 250°F&C	<b>TBM31025B8</b>	<b>TBM31040B8</b>
0°F to 200°F	<b>TBM31025B17</b>	-

3" (75mm) Dial, Adjustable Angle		
Temperature Range	2.5" Stem Length Code	4" Stem Length Code
0°F to 140°F&C	-	<b>TBM32040B3</b>
0°F to 200°F&C	<b>TBM32025B6</b>	-
0°F to 250°F&C	<b>TBM32025B8</b>	<b>TBM32040B8</b>
50°F to 300°F&C	<b>TBM32025B9</b>	-

5" (125mm) Dial, Fixed Centre Back		
Temperature Range	4" Stem Length Code	6" Stem Length Code
0°F to 250°F&C	<b>TBM50040B8</b>	<b>TBM50060B8</b>
50°F to 300°F&C	<b>TBM50040B9</b>	-

5" (125mm) Dial, Adjustable Angle			
Temperature Range	2.5" Stem Length Code	4" Stem Length Code	6" Stem Length Code
0°F to 140°F&C	<b>TBM52025B3</b>	<b>TBM52040B3</b>	-
20°F to 240°F&C	-	<b>TBM52040B7</b>	-
0°F to 250°F&C	<b>TBM52025B8</b>	<b>TBM52040B8</b>	<b>TBM52060B8</b>
50°F to 300°F&C	-	<b>TBM52040B9</b>	-
50°F to 400°F&C	-	<b>TBM52040B10</b>	-

**Order Codes:** To order, specify the code for each dial/stem length and the range: i.e. TBM20025 - B26

Dial Size	Stem Length	Fixed Centre Back	Bottom	Adjustable Angle
1" (25mm) pocket thermometer	5" (125mm)	TBM10050	-	-
2" (50mm) lab thermometer	8" (200mm)	TBM20080	-	-
2" (50mm)	2.5" (63mm)	TBM20025	-	-
	4" (100mm)	TBM20040	-	-
	6" (150mm)	TBM20060	-	-
	9" (225mm)	TBM20090	-	-
	12" (300mm)	TBM20120	-	-
	15" (370mm)	TBM20150	-	-
3" (75mm)	2.5" (63mm)	TBM30025	TBM31025	TBM32025
	4" (100mm)	TBM30040	TBM31040	TBM32040
	6" (150mm)	TBM30060	TBM31060	TBM32060
	9" (225mm)	TBM30090	TBM31090	TBM32090
	12" (300mm)	TBM30120	TBM31120	TBM32120
	15" (370mm)	TBM30150	TBM31150	TBM32150
4" (100mm)	2.5" (63mm)	TBM40025	TBM41025	TBM42025
	4" (100mm)	TBM40040	TBM41040	TBM42040
	6" (150mm)	TBM40060	TBM41060	TBM42060
	9" (225mm)	TBM40090	TBM41090	TBM42090
	12" (300mm)	TBM40120	TBM41120	TBM42120
	15" (370mm)	TBM40150	TBM41150	TBM42150
5" (125mm)	2.5" (63mm)	TBM50025	TBM51025	TBM52025
	4" (100mm)	TBM50040	TBM51040	TBM52040
	6" (150mm)	TBM50060	TBM51060	TBM52060
	9" (225mm)	TBM50090	TBM51090	TBM52090
	12" (300mm)	TBM50120	TBM51120	TBM52120
	15" (370mm)	TBM50150	TBM51150	TBM52150
6" (150mm)	2.5" (63mm)	TBM60025	TBM61025	TBM62025
	4" (100mm)	TBM60040	TBM61040	TBM62040
	6" (150mm)	TBM60060	TBM61060	TBM62060
	9" (225mm)	TBM60090	TBM61090	TBM62090
	12" (300mm)	TBM60120	TBM61120	TBM62120
	15" (370mm)	TBM60150	TBM61150	TBM62150

°F & °C (Dual)	Code	°F only	Code	°C only	Code	°C & °F (Dual)*	Code
-100°F to 150°F & -70°C to 70°C	B1	-40°F to 120°F	B14	-80°C to 50°C	B26	-30°C to 70°C & -20°F to 150°F	B75
-40°F to 120°F & -40°C to 50°C	B2	-40°F to 160°F	B15	-50°C to 50°C	B27	0°C to 120°C & 30°F to 250°F	B76
0°F to 140°F & -20°C to 60°C	B3	0°F to 140°F	B16	0°C to 50°C	B28	0°C to 300°C & 30°F to 600°F	B77
-40°F to 160°F & -40°C to 70°C	B4	0°F to 200°F	B17	-50°C to 100°C	B29	0°C to 120°C & 30°F to 400°F	B78
25°F to 125°F & -5°C to 50°C	B5	20°F to 240°F	B18	0°C to 100°C	B30	0°C to 200°C & 32°F to 390°F	B79
0°F to 200°F & -20°C to 90°C	B6	0°F to 250°F	B19	-20°C to 120°C	B31	0°C to 250°C & 30°F to 480°F	B80
20°F to 240°F & -5°C to 115°C	B7	50°F to 300°F	B20	0°C to 150°C	B32	0°C to 50°C & 30°F to 122°F	B81
0°F to 250°F & -20°C to 120°C	B8	50°F to 400°F	B21	0°C to 200°C	B33	-	-
50°F to 300°F & 10°C to 150°C	B9	50°F to 550°F	B22	0°C to 300°C	B34	-	-
50°F to 400°F & 10°C to 200°C	B10	150°F to 750°F	B23	0°C to 450°C	B35	-	-
50°F to 500°F & 10°C to 260°C	B11	0°F to 800°F	B24	100°C to 550°C	B36	-	-
150°F to 750°F & 100°C to 400°C	B12	200°F to 1,000°F	B25	0°C to 500°C	B39	-	-
200°F to 1,000°F & 100°C to 540°C	B13	14°F to 140°F	B38	-10°C to 60°C	B40	-	-
14°F to 140°F & -10°C to 60°C	B37	-	-	100°C to 400°C	B41	-	-
32°F to 212°F & 0°C to 100°C	B52	-	-	100°C to 540°C	B42	-	-
-	-	-	-	-30°C to 70°C	B45	-	-
-	-	-	-	20°C to 120°C	B46	-	-
-	-	-	-	-70°C to 170°C	B47	-	-
-	-	-	-	0°C to 120°C	B48	-	-
-	-	-	-	0°C to 400°C	B49	-	-
-	-	-	-	0°C to 250°C	B50	-	-
-	-	-	-	20°C to 60°C	B51	-	-

Other ranges, stem lengths and connection sizes available upon request. For glycerin fill, maximum temperature limit is 300°F (150°C). Silicone fill available.

**Option suffix for above order code only:**

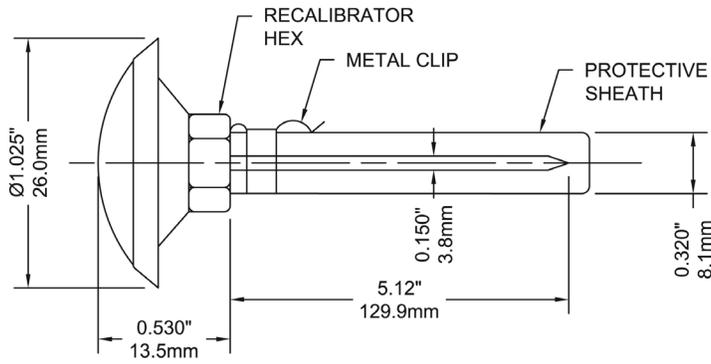
AP3 = 3" acrylic lens  
 AP4 = 4" acrylic lens  
 AP5 = 5" acrylic lens  
 AP6 = 6" acrylic lens

BG3 = 3" glycerin filling  
 BG4 = 4" glycerin filling  
 BG5 = 5" glycerin filling  
 BG6 = 6" glycerin filling

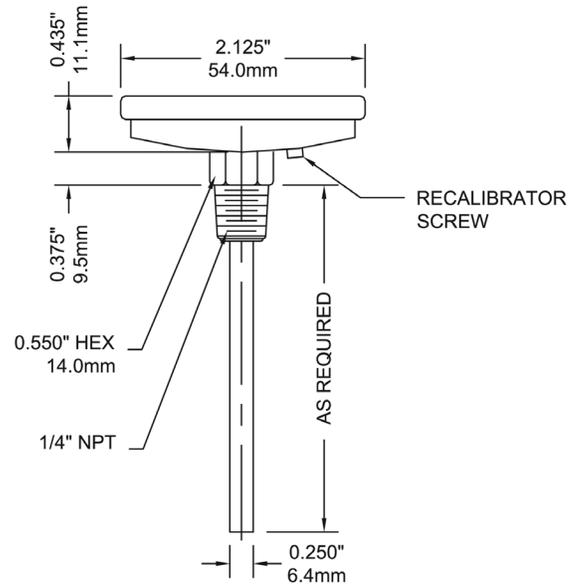
DUCT = Aluminum duct flange  
 SCK = Socket conversion kit  
 SPG3 = 3" Shatterproof glass lens  
 SPG5 = 5" Shatterproof glass lens

Note: The use of a thermowell is recommended to protect the thermometer from corrosive or damaging environments, as well as to maintain a closed system during its removal from the process

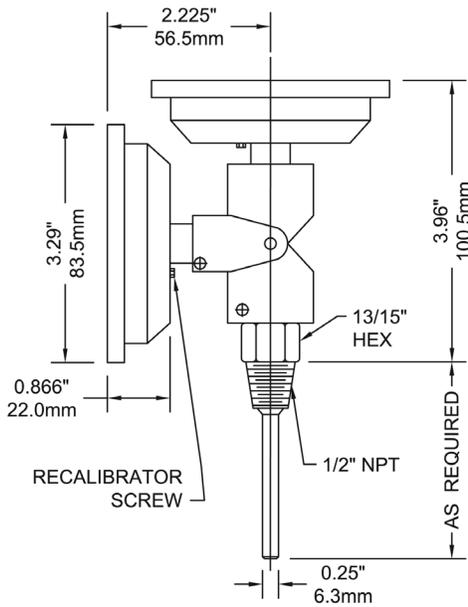
### 1" Back Connection



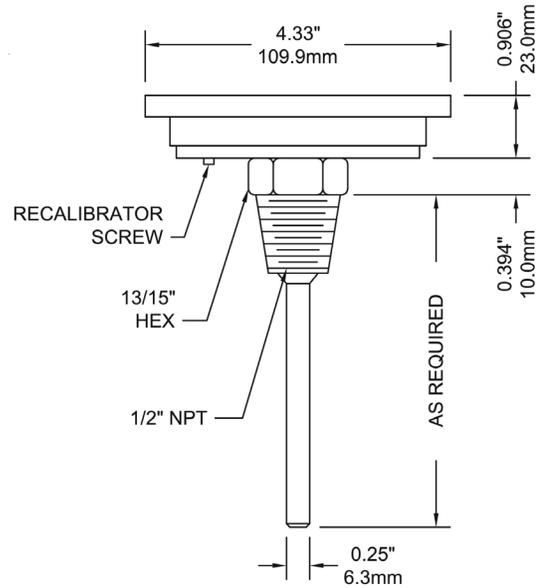
### 2" Back Connection



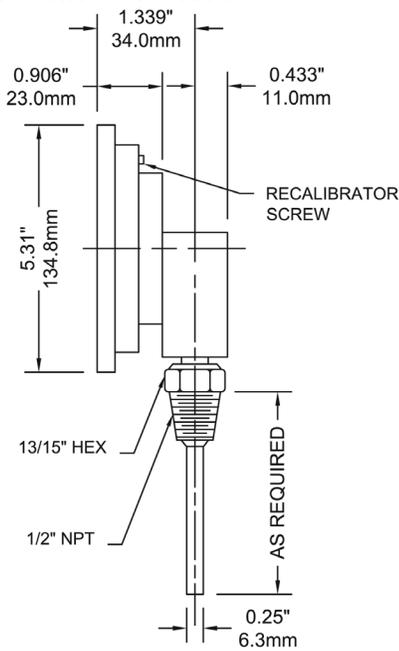
### 3" Adjustable Angle Connection



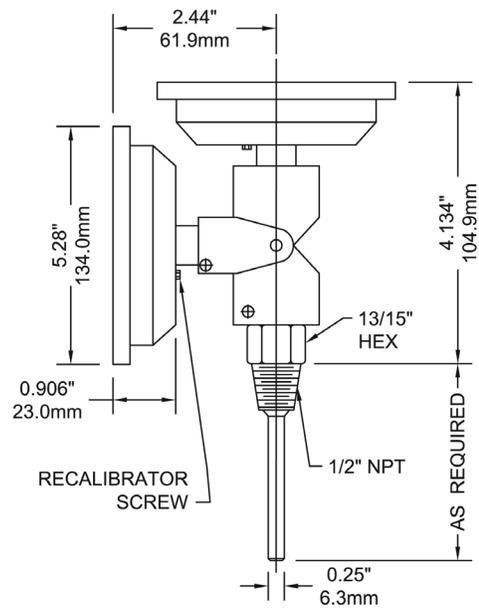
### 4" Back Connection



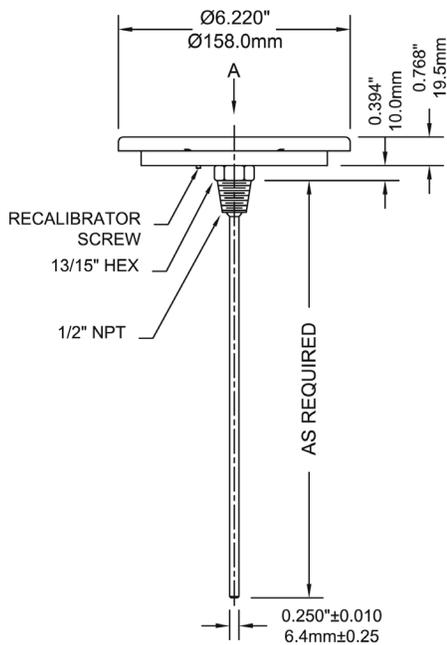
### 5" Bottom Connection



### 5" Adjustable Angle Connection



### 6" Back Connection



### 6" Bottom Connection

