

# CDT706P2MS1

## GE Cafe™ Series Stainless Steel Interior Dishwasher with Hidden Controls

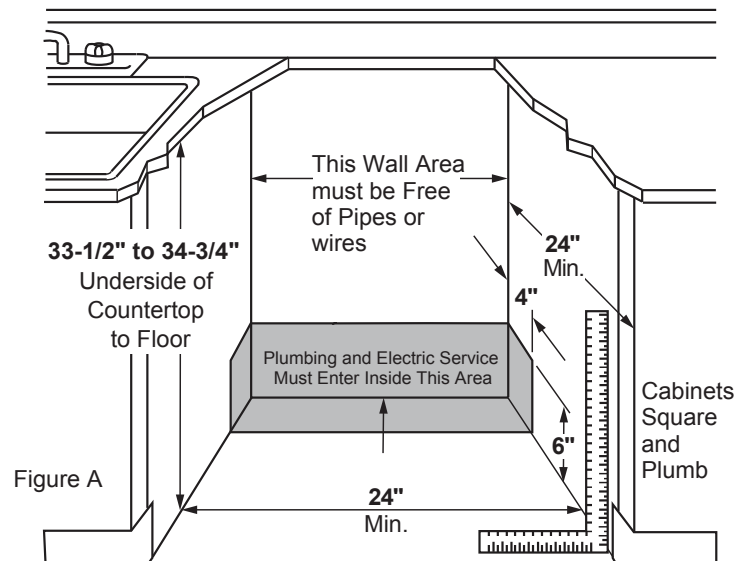
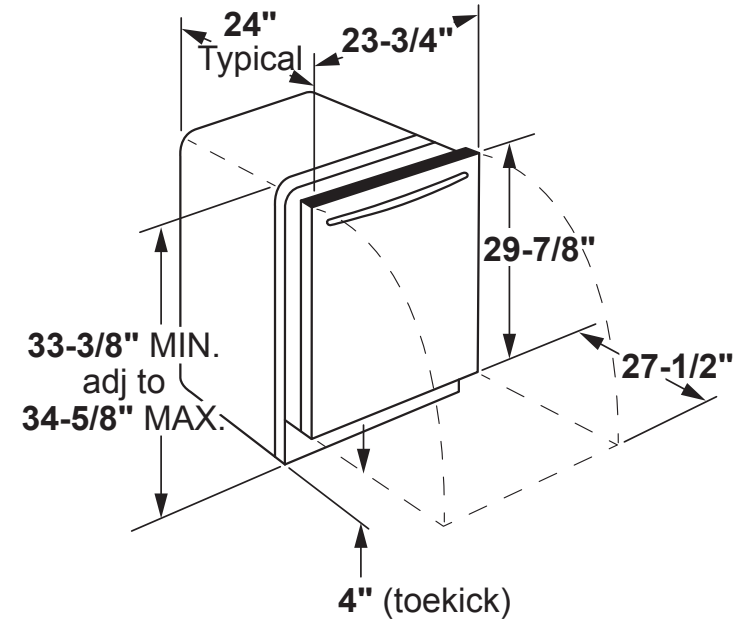
### DIMENSIONS AND INSTALLATION INFORMATION (IN INCHES)

#### ELECTRICAL RATING

Voltage AC.....	120
Hertz.....	60
Total connected load amperage.....	7.2
Calrod® heater watts max.....	415/800

For use on adequately wired 120-volt, 15-amp circuit having 2-wire service with a separate ground wire. This appliance must be grounded for safe operation.

**INSTALLATION INFORMATION:** Before installing, consult installation instructions packed with product for current dimensional data.



For answers to your Monogram, GE Cafe™ Series, GE Profile™ Series or GE Appliances product questions, visit our website at [geappliances.com](http://geappliances.com) or call GE Answer Center® Service, 800.626.2000.



Listed by Underwriters Laboratories



As an ENERGY STAR® partner, GE has determined that this product meets the ENERGY STAR guidelines for energy efficiency.

# CDT706P2MS1

## *GE Cafe™ Series Stainless Steel Interior Dishwasher with Hidden Controls*

### **FEATURES AND BENEFITS**

Third Rack – Easily clean an entire dinner-party’s worth of flatware at once with a convenient third rack across the top of the dishwasher

Bottle Jets – Vases, canisters and bottles are always clean and ready for your tablescape thanks to the targeted washing power of Bottle Jets

Easy touch adjustable upper rack with 2 Stem Safe shelves – Create more room for platters, baking sheets, stemware and more with an adjustable upper rack that glides up or down 2-inches with one easy touch

Hard food disposer with removable filter – Spend less time at the sink pre-washing and let the hard food disposer’s stainless steel blades pulverize food particles and prevent clogging

Full-extension smooth-glide upper rack – Loading and unloading is smooth and simple with a full-extension upper rack that glides out with just a gentle pull

Hidden vent with fan dry – Dry heat-sensitive or fragile dishes with a hidden vent with fan dry that gently circulates air to remove moisture

Lower rack adjustable tines – Configure the lower rack however you please to fit anything from a large colander to a teacup saucer with adjustable, multi-position, fold-down tines

Floor Protect – Hardwood, tile and other moisture-sensitive flooring materials are protected in the unlikely event of a leak

Wash Zones – Wash a true half-load, in either the upper or lower rack, without sacrificing cycles or full-load wash options with wash zones

45 dBA – Run the dishwasher without interrupting the mood with ultra-quiet 45 dBA operations

Black pearl racks with ball tip tines – Keep dishes safe and secure with durable black pearl racks with ball tip tines

Model CDT706P2MS1 – Stainless steel

