



TUB AND SHOWER FAUCET TRIM

- Porter® Bath Collection
- Shower only (142984-I20 Series)

FEATURES:

- Monitor® 14 Series pressure balanced bath mixing valve trim with Scald-Guard®

STANDARD SPECIFICATIONS:

- Max flow rate 2.0 gpm @ 80 psi, 7.6 L/min @ 550 kPa.
- Maintains a balanced pressure of hot and cold water even when a valve is turned on or off elsewhere in the system
- For use with MultiChoice® Universal rough valve body (R10000 Series)
- Back-to-back installation capability
- Solid brass forged body
- Temperature only controlled with handle
- Field adjustable to limit handle rotation into hot water zone
- 120° maximum handle rotation
- All parts replaceable from the front of the valve
- Integrated handshower docks securely into showerhead when not in use

WARRANTY

- Lifetime limited warranty on parts (other than electronic parts and batteries) and finishes; or, for commercial users, for 5 years from the date of purchase.
- 5 year limited warranty on electronic parts (other than batteries); or for commercial users, for 1 year from the date of purchase. No warranty is provided on batteries.



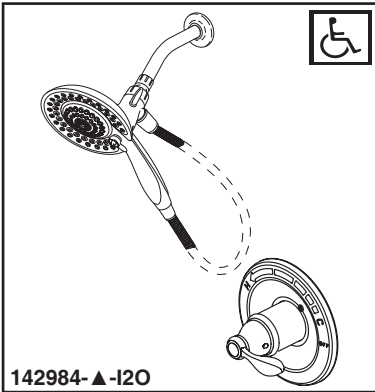
COMPLIES WITH:

- ASME A112.18.1 / CSA B125.1
- ASSE 1016



Indicates compliance to ICC/ANSI A117.1

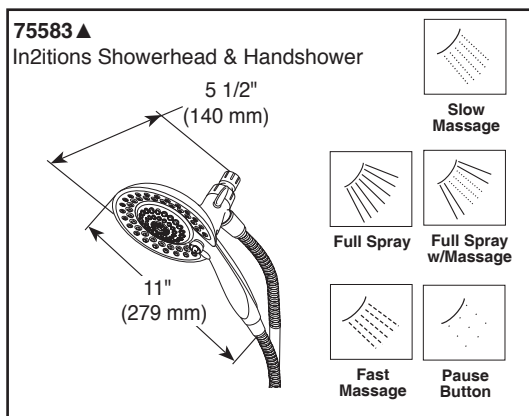
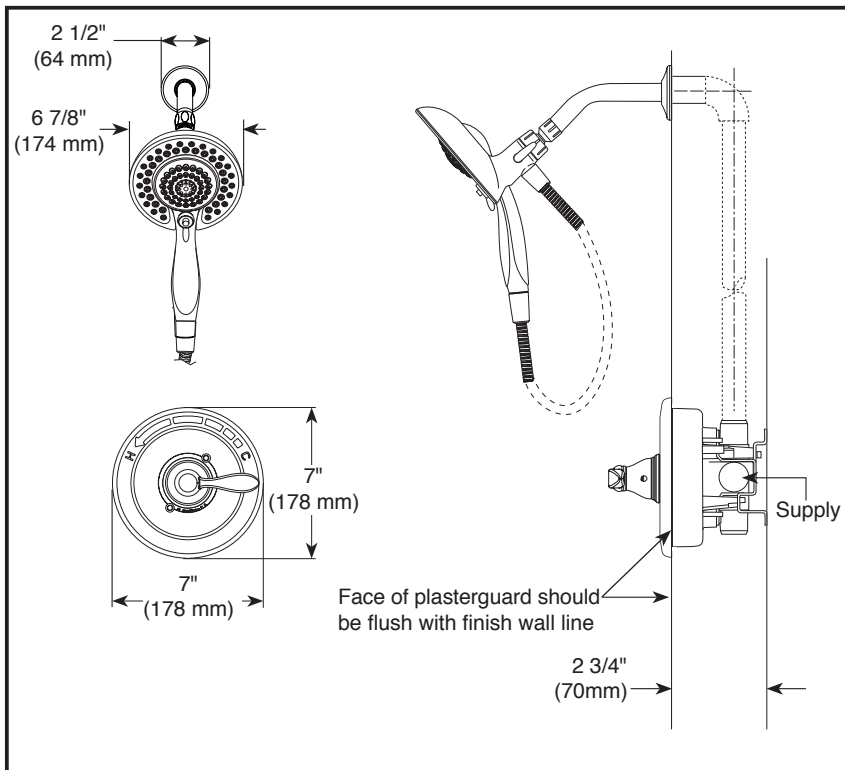
- EPA waterSense®



142984-▲-I20

Submitted Model No.: _____

Specific Features: _____



▲ Designate proper finish suffix

Delta reserves the right (1) to make changes in specifications and materials, and (2) to change or discontinue models, both without notice or obligation. Dimensions are for reference only. See current full-line price book or www.deltafaucet.com for finish options and product availability.

DSP-B-142984-I20 Rev. B



55 E. 111th Street, Indianapolis, Indiana 46280
350 South Edgeware Road, St. Thomas, Ontario Canada N5P 4L1
© 2017 Masco Corporation of Indiana