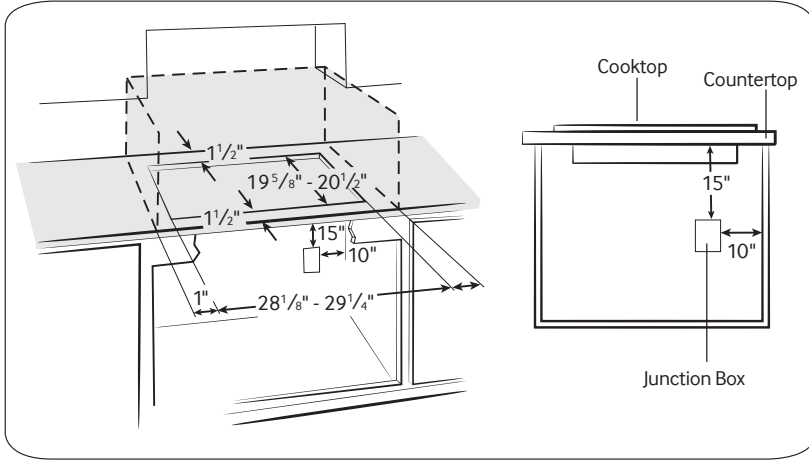


NZ30K7570RS

30" Electric Cooktop

Installing Your Cooktop

Can be installed over a single oven.



Total Power

9.5 kW

Power Source

240 V/60 Hz/45 Amps

Electric Cooktop

- Left Front: 7", 1.5 kW (Sync)
- Left Rear: 7", 1.5 kW (Sync)
- Right Front: 8"/5", 2 kW
- Right Rear: 6", 1.2 kW (Melt)
- Center: 9"/6" 3.3 kW (Rapid Boil™)

Warranty

One (1) Year All Parts and Labor

Product Dimensions & Weight (WxHxD)

Outside (Max) Cooktop Dimensions:

30" x 5 1/16" x 21 1/4"

Cooktop Cut-Out Dimensions:

28 1/2" x 5 1/16" x 19 5/8"

Weight: 35.7 lbs.

Shipping Dimensions & Weight (WxHxD)

Dimensions:

34 3/16" x 8 1/2" x 25 1/16"

Weight: 48.8 lbs.

Color

Stainless Steel

Model

NZ30K7570RS

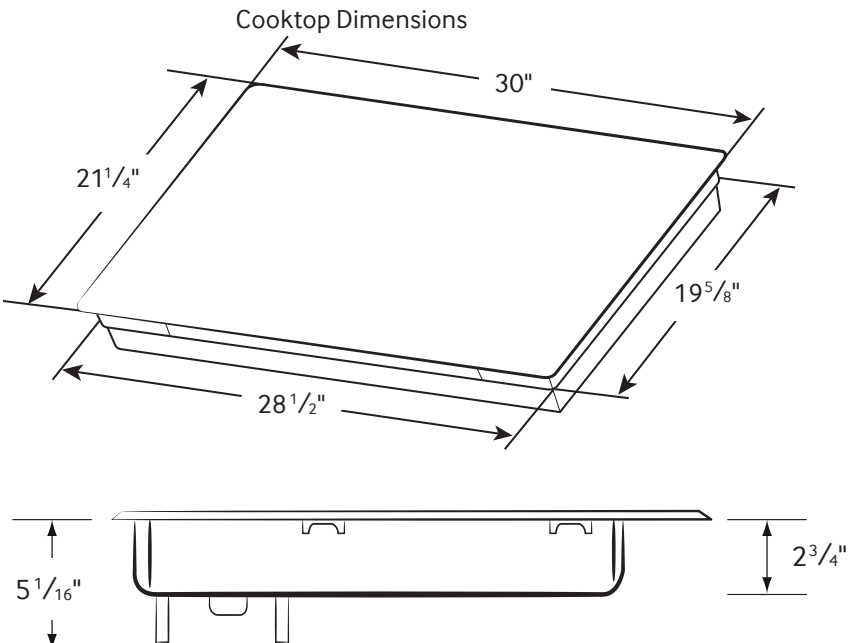
UPC Code

887276183589

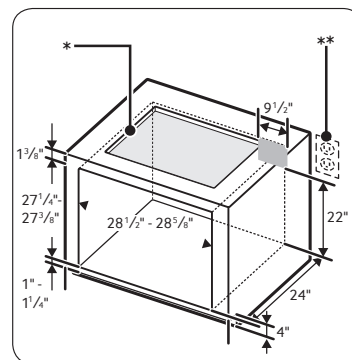
Black Stainless Steel

NZ30K7570RG 887276183428

Dimensions



Cutout Dimensions of Countertop



* See built-in oven installation for complete installation instructions. See label on top of approved built-in oven models.

** Refer to installation manual of oven.

SAMSUNG

Actual color may vary. Design, specifications, and color availability are subject to change without notice. Non-metric weights and measurements are approximate.

©2016 Samsung Electronics America, Inc. 85 Challenger Road, Ridgefield Park, NJ 07660. Tel: 800-SAMSUNG. samsung.com. Samsung is a registered trademark of Samsung Electronics Co., Ltd.