

HOME

DECORATORS
COLLECTION

Chatham Single Mirror Assembly Instructions

ITEM#: 9945900270

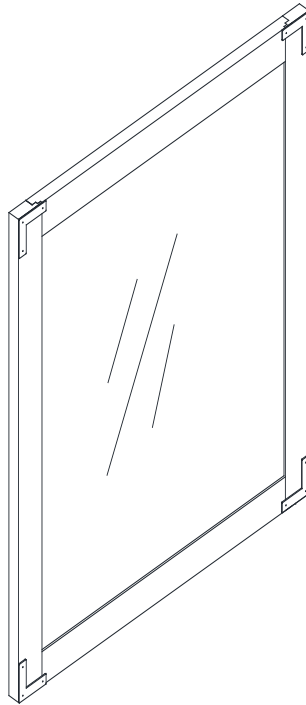
MFG#: MD-M30-CH-TG

ITEM#: 9945900410

MFG#: MD-M30-CH-WH

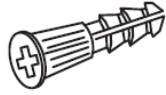
Please read over the instructions; it will be a time-saver in the long run.

Note: before assembly, please be sure to work on a soft flat surface to avoid any damage to the finish.

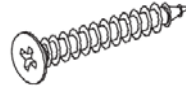


Hardware Check List

Please take all the hardware listed below out of the hardware bag.



A Plastic Anchor – 2pcs



B Screw – 2pcs

Step 1. Drill two holes in the desired location on the wall.

Step 2. Press the plastic anchor (A) into the hole.

Step 3. Secure the screw (B) into wall anchor (A).

Step 4. Hang the mirror on the screw as shown.

See figure below:

