

Installation and Wiring Instructions

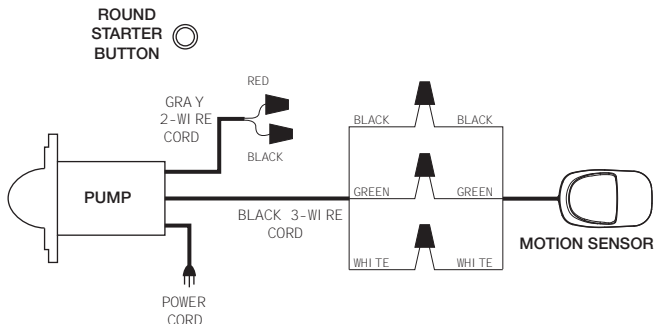
Plant ID No. 001-3886

Supersedes: Nov 1, 2014

Effective: December 16, 2014

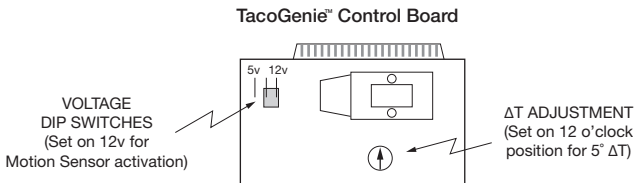
INSTRUCTIONS

1. Unplug the TacoGenie™ power cord.
2. Connect Black, Green and White leads from Motion Sensor to corresponding Black, Green and White leads from Black 3-wire cord on TacoGenie Pump (see wiring diagram). Use wire nuts provided in kit. Use wire nuts or electrical tape to isolate Red and Black wire leads in Gray Cord if round starter button is not installed.



A Taco resource – saving product

3. Remove electrical box cover and carefully remove electronics control board from terminal strip.
4. Turn control board over and locate voltage dip switches in top left corner of board. (See diagram below.)



5. Slide dip switch connector from pin marked “5v” to pin marked “12v”. (See diagram below.)
6. Insert control board firmly into terminal strip and replace electrical box cover.
7. Place Motion Sensor at a convenient location to detect motion in the room but out of view from adjoining rooms or hallways.
8. Plug in the TacoGenie power cord. Pump will start automatically, run until hot water is detected by the temperature sensor, and then stop.
9. An 8 minute time delay will start after each cycle to prevent repeated activation. After 8 minutes, TacoGenie will revert to automatic motion detection mode.



Taco Comfort Solutions™ A Taco Group Company

Taco, Inc., 1160 Cranston Street, Cranston, RI 02920 | Tel: (401) 942-8000 | FAX: (401) 942-2360

Taco (Canada), Ltd., 8450 Lawson Road, Suite #3, Milton, Ontario L9T 0J8 | Tel: (905) 564-9422 | FAX: (905) 564-9436

Visit our web site: www.TacoComfort.com | Printed in USA | ©2015 Taco, Inc.

