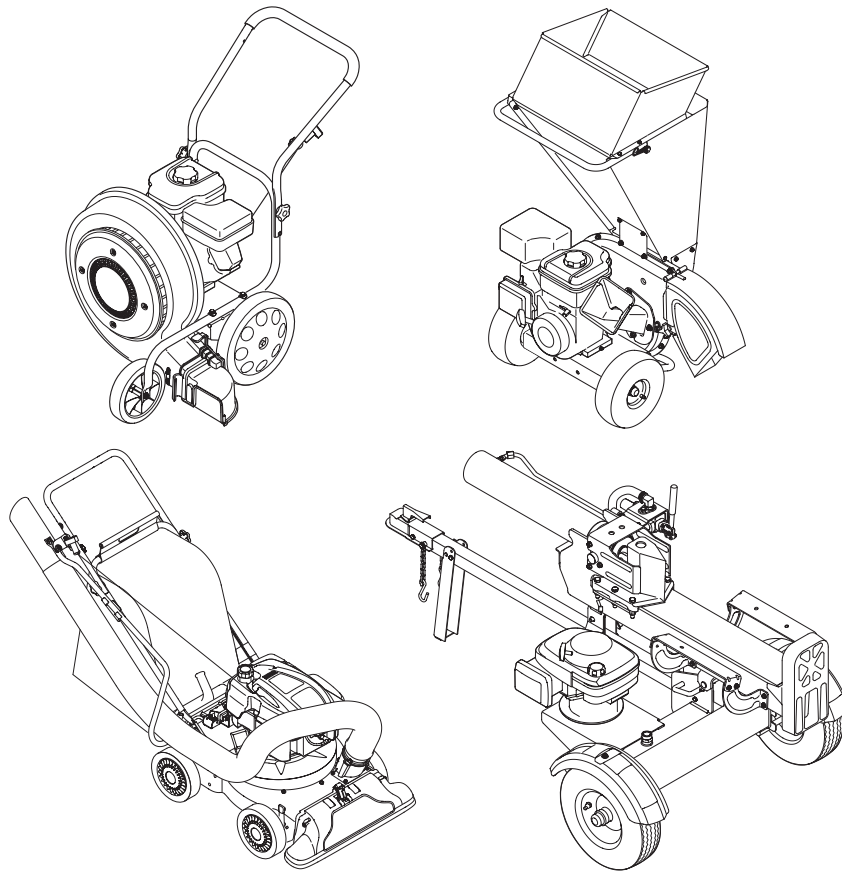

ILLUSTRATED PARTS MANUAL



Fall / Winter Chore Performers

MTD LLC, P.O. BOX 361131 CLEVELAND, OHIO 44136-0019

To The Owner

Thank You

Thank you for purchasing an MTD Chore Performer. It was carefully engineered to provide excellent performance when properly operated and maintained.

All information in this manual is relative to the most recent product information available at the time of printing. Please be aware that this Illustrated Part's Manual may cover a range of product specifications for various models.

Components listed and/or illustrated in this manual may not be applicable to all models. We reserve the right to change product specifications, designs and equipment without notice and without incurring obligation.

Throughout this manual, all references to *right* (RH) and *left* (LH) are observed from the operating position.

Table of Contents

<u>Model 55M1</u>	<u>4</u>	<u>CS Model Series 450 & 460</u>	<u>32</u>
<u>TB 27 LS (Honda Engine).....</u>	<u>8</u>	<u>CSV Model 060.....</u>	<u>36</u>
<u>TB 27 LS (MTD Engine)</u>	<u>10</u>	<u>CSV Model 070.....</u>	<u>40</u>
<u>Model 51MX</u>	<u>14</u>	<u>CSV Model 202.....</u>	<u>44</u>
<u>Model 57M1</u>	<u>16</u>	<u>Engine Model 178-LU.....</u>	<u>50</u>
<u>TB 33 LS</u>	<u>20</u>	<u>Engine Model 170-DU.....</u>	<u>58</u>
<u>Model 50MX.....</u>	<u>24</u>	<u>Engine Model 170-CU.....</u>	<u>68</u>
<u>JS TB672</u>	<u>26</u>	<u>Engine Model 1X65LU.....</u>	<u>78</u>
<u>CS Model Series 410 & 420.....</u>	<u>28</u>	<u>Engine Model 1X65CU.....</u>	<u>88</u>

Record Product Information

To ease in ordering replacement parts, please locate the model plate on the equipment and record the information in the provided area to the right. You can locate the model plate by looking beneath the seat.

MODEL NUMBER

--	--	--	--	--	--	--	--	--	--	--

SERIAL NUMBER

--	--	--	--	--	--	--	--	--	--	--

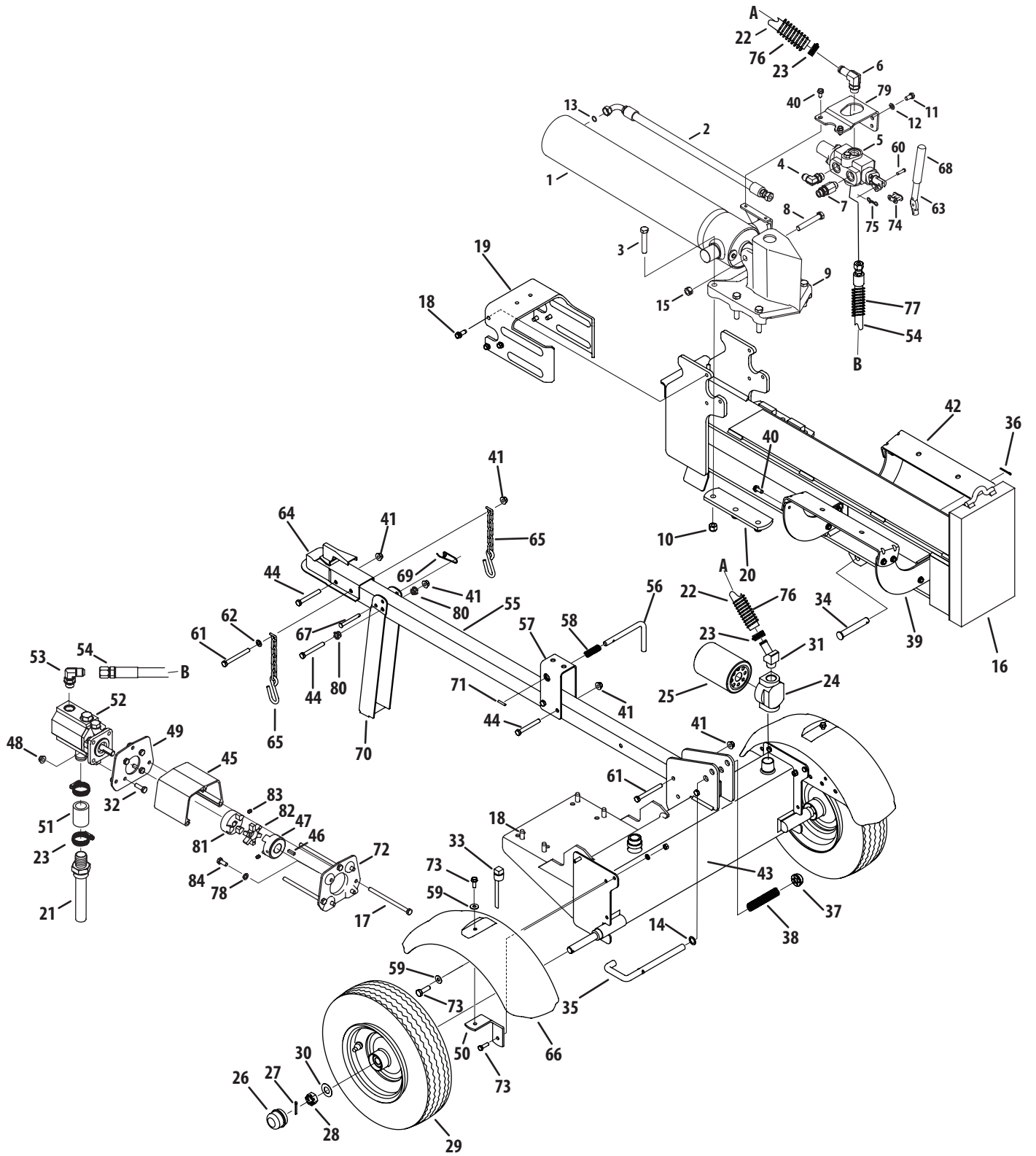
Painted Parts

When ordering painted service parts, a four digit color suffix must be added to the part number (e.g. 783-XXXXX-0637). Please refer to the table below for current color codes:

0637	Black	0650	Metallic Red (White Outdoor)
0709	Dark Green (Bolens, Yard-Man)	0629	Silver Flake (MTD Platinum)
0662	Oyster Gray (MTD Gold)	04038	Day Orange (Daedong)
0638	Red (Yard Machines, Huskee, Troy-Bilt, MTD)	04033	Flint Mica (Troy-Bilt XP)
0691	Black Jack (MTD Gold, MasterCut)	04041	Pure Orange (Remington)
0674	Yellow (Yard-Man)		

Page Left Blank Intentionally

Model 55M1



Ref.	Part Number	Description
1	918-04713	Hydraulic Cylinder
2	727-04362	Hydraulic Tube
3	710-1018	Hex Cap Screw, 1/2-20 x 2.75
4	737-04320	90 Degree Solid Adapter
5	918-04740	Control Valve
6	737-04307	Return Elbow
7	737-04309	Nipple Pipe, 1/2-14
8	710-1806	Hex Cap Screw, 1/2-13 x 3.25
9	719-04529	Wedge Assembly
10	912-3058	Hex Lock Nut, 1/2-20
11	710-0216	Hex Cap Screw, 3/8-16 x .75
12	936-0169	Lock Washer, 3/8
13	721-04411	O-Ring, .489 ID x .070 Dia.
14	936-0116	Flat Washer, .635 x .93 x .06
15	712-3022	Hex Lock Nut, 1/2-13
16	681-04112	Beam Assembly
17	710-0190	Hex Screw, 5/16-18 x 4.00
18	710-04683B	Self Tapping Screw, 3/8-16 x 1.0
19	781-04426	Dislodger Bracket
20	781-0790A	Back Plate
21	737-04308	Inlet Filter
22	727-0443	Return Hose, 3/4 x 44
23	726-0132	Hose Clamp, 5/8
24	737-04267	Filter Housing
25	723-0405	Oil Filter
26	734-0873	Hub Cap
27	714-0162	Cotter Pin
28	712-0359	Slotted Nut, 3/4-16
29	634-0186	Complete Wheel Assembly
	921-0168	Dust Seal
	941-04089	Roller Bearing
30	936-0351	Flat Washer, .760 x .500
31	737-04323	Hydraulic Fitting, 1 1/16 Orb x .75
32	710-0376	Hex Screw, 5/16-18 x 1.00
33	737-0348A	Vented Dipstick
34	711-05169	Clevis Pin
35	747-04983	Lock Rod

Ref.	Part Number	Description
36	914-0470	Cotter Pin
37	726-0214	Push Cap
38	732-0583	Compression Spring
39	781-04293	Log Tray Bracket
40	710-04484	Hex Washer Screw, 5/16-18 x .750
41	712-04065	Flange Lock Nut, 3/8-16
42	781-04179	Log Tray
43	681-04113	Frame Assembly - MTD Engine
44	710-0521	Hex Bolt, 3/8-16 x 3
45	719-0278	Coupling Shield
46	914-0122	Square Key, 3/16" x .75
47	718-04474	Coupling, .750
48	712-04063	Flange Lock Nut, 5/16-18
49	781-0097	Rear Coupling Support Bracket
50	781-1024A	Fender Mounting Bracket
51	727-04356	Hose
52	918-04127	Gear Pump
53	737-04320	45 Degree Elbow Fitting
54	727-04288	High Pressure Hydraulic Hose
55	781-04424	Tongue Assembly
56	747-1261	Latch Rod
57	781-1045	Latch
58	932-3127	Compression Spring
59	736-0371	Flat Washer
60	711-04585	Clevis Pin
61	710-3085	Hex Cap Screw, 3/8-16 x 3.50
62	936-0185	Flat Washer, .375 x .738 x .063
63	747-04539A	Hydraulic Valve Control
64	681-04030	Hitch Coupling Assembly
65	713-0433A	Chain
66	731-2499A	Fender
67	911-0813	Clevis Pin
68	720-04088	Grip
69	732-0194	Spring Pin
70	781-04430	Jack Stand
71	715-0120	Spiral Pin
72	781-0098A	Front Coupling Support Bracket

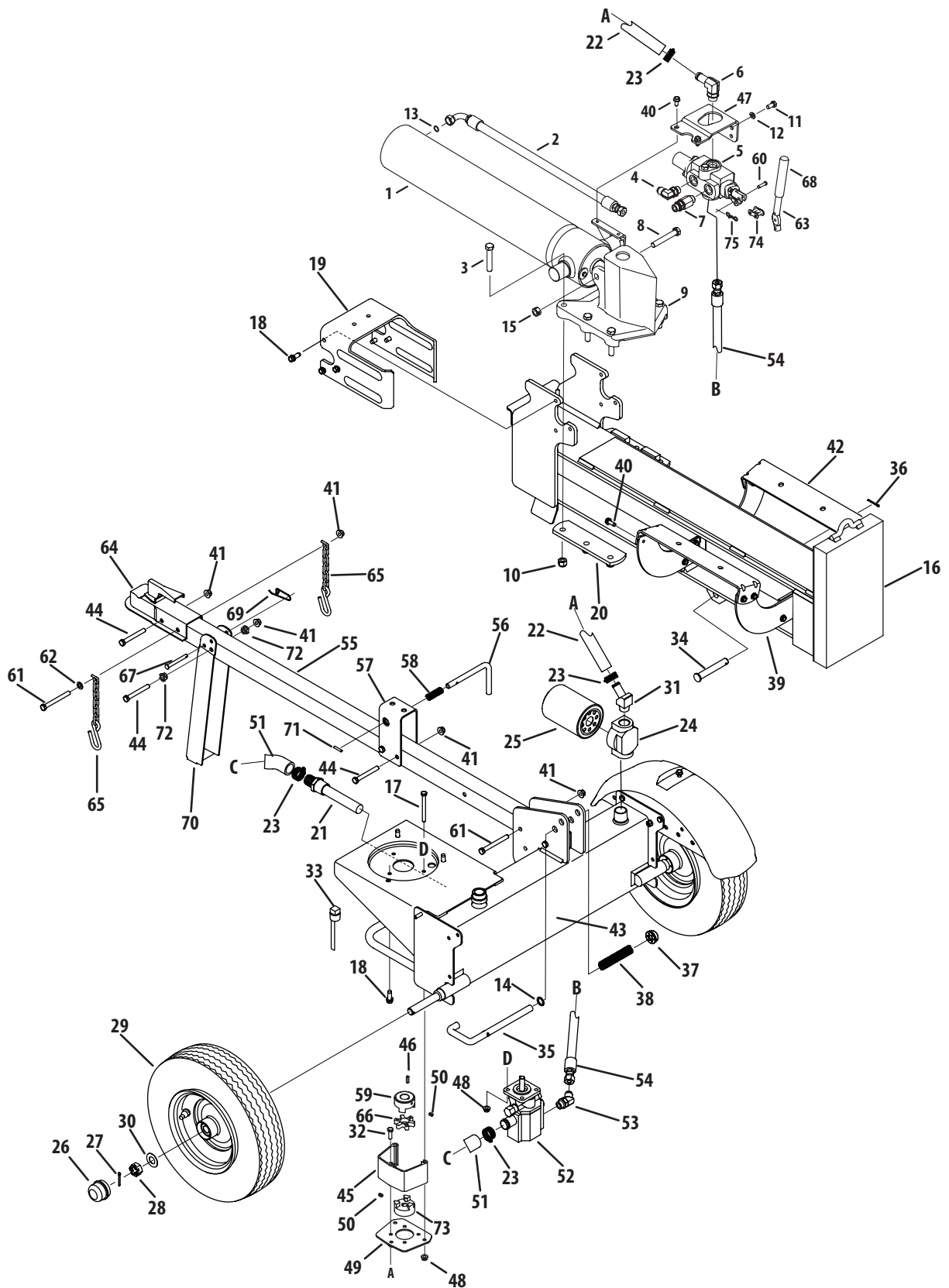
Continued on next page

Model 55M1

Ref.	Part Number	Description
73	710-0602	Self-Tapping Screw, 5/16-18 x 1.00
74	913-04036	Valve Handle Link
75	714-04040	Cotter Pin, Bow Tie
76	781-0526A	Hose Guard, 48"
77	781-0538A	Hose Guard, 44"
78	936-0119	Lock Washer, 5/16
79	781-04418	Outer Valve Bracket
80	941-0475	Plastic Bushing, .380 ID
81	718-04392	Coupling, .500
82	735-04103	Spider Bushing
83	710-1842A	Set Screws
84	710-0157	Hex Cap Screw, 5/16-24 x .75

Page Left Blank Intentionally

TB 27 LS (Honda Engine)

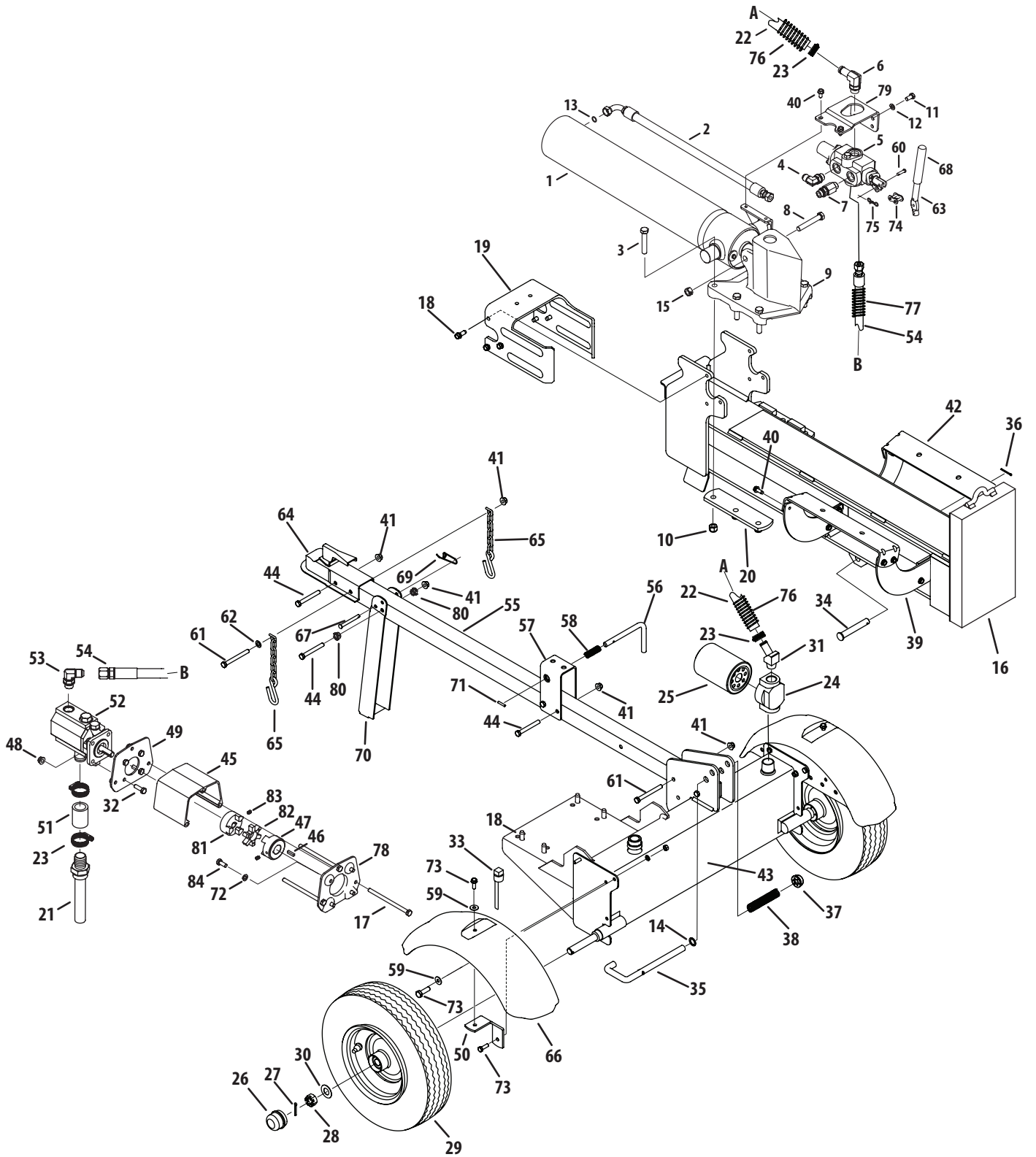


TB 27 LS (Honda Engine)

Ref.	Part Number	Description
1	918-04713	Hydraulic Cylinder
2	727-04362	Hydraulic Tube
3	710-1018	Hex Cap Screw, 1/2-20 x 2.75
4	737-04320	90 Degree Solid Adapter
5	718-04706P	Control Valve
6	737-04307	Return Elbow
7	737-04309	Nipple Pipe, 1/2-14
8	710-1806	Hex Cap Screw, 1/2-13 x 3.25
9	719-04529	Wedge Assembly
10	912-3058	Hex Lock Nut, 1/2-20
11	710-0216	Hex Cap Screw, 3/8-16 x .75
12	936-0169	Lock Washer, 3/8
13	721-04411	O-Ring, .489 ID x .070 Dia.
14	936-0116	Flat Washer, .635 x.93 x.06
15	712-3022	Hex Lock Nut, 1/2-13
16	681-04112	Beam Assembly
17	710-3056	Hex Screw, 5/16-18 x 3.25
18	710-04683B	Self Tapping Screw, 3/8-16 x 1.0
19	781-04426	Dislodger Bracket
20	781-0790A	Back Plate
21	737-04308	Inlet Filter
22	727-0443	Return Hose, 3/4 x 44
23	726-0132	Hose Clamp, 5/8
24	737-04267	Filter Housing
25	723-0405	Oil Filter
26	734-0873	Hub Cap
27	714-0162	Cotter Pin
28	712-0359	Slotted Nut, 3/4-16
29	634-0186	Complete Wheel Assembly
	921-0168	Dust Seal
	941-04089	Roller Bearing
30	936-0351	Flat Washer, .760 x.500
31	737-04323	Hydraulic Fitting, 1 1/16 Orb x .75
32	710-0376	Hex Screw, 5/16-18 x 1.00
33	737-0348A	Vented Dipstick
34	711-05169	Clevis Pin
35	747-04983	Lock Rod
36	914-0470	Cotter Pin
37	726-0214	Push Cap

Ref.	Part Number	Description
38	732-0583	Compression Spring
39	781-04293	Log Tray Bracket
40	710-04484	Hex Washer Screw, 5/16-18 x .750
41	712-04065	Flange Lock Nut, 3/8-16
42	781-04179	Log Tray
43	681-04131	Frame Assembly
44	710-0521	Hex Bolt, 3/8-16 x 3
45	719-0353	Coupling Shield
46	914-0122	Square Key, 3/16" x .75
47	781-04418	Outer Valve Bracket
48	712-04063	Flange Lock Nut, 5/16-18
49	781-0097	Rear Coupling Support Bracket
50	710-1842A	Set Screws
51	727-04290	Hose
52	918-04127	Gear Pump
53	737-04321	45 Degree Elbow Fitting
54	727-04288	High Pressure Hydraulic Hose
55	781-04424	Tongue Assembly
56	747-1261	Latch Rod
57	781-1045	Latch
58	932-3127	Compression Spring
59	718-04395	Coupling, .875
60	711-04585	Clevis Pin
61	710-3085	Hex Cap Screw, 3/8-16 x 3.50
62	936-0185	Flat Washer, .375 x.738 x.063
63	747-04539A	Hydraulic Valve Control
64	681-04030	Hitch Coupling Assembly
65	713-0433A	Chain
66	735-04103	Spider Bushing
67	911-0813	Clevis Pin
68	720-04088	Grip
69	732-0194	Spring Pin
70	781-04430	Jack Stand
71	715-0120	Spiral Pin
72	941-0475	Plastic Bushing, .380 ID
73	718-04392	Coupling, .500
74	913-04036	Valve Handle Link
75	714-04040	Cotter Pin, Bow Tie

TB 27 LS (MTD Engine)



TB 27 LS (MTD Engine)

Ref.	Part Number	Description
1	918-04713	Hydraulic Cylinder
2	727-04362	Hydraulic Tube
3	710-1018	Hex Cap Screw, 1/2-20 x 2.75
4	737-04320	90 Degree Solid Adapter
5	718-04706P	Control Valve
6	737-04307	Return Elbow
7	737-04309	Nipple Pipe, 1/2-14
8	710-1806	Hex Cap Screw, 1/2-13 x 3.25
9	719-04529	Wedge Assembly
10	912-3058	Hex Lock Nut, 1/2-20
11	710-0216	Hex Cap Screw, 3/8-16 x .75
12	936-0169	Lock Washer, 3/8
13	721-04411	O-Ring, .489 ID x .070 Dia.
14	936-0116	Flat Washer, .635 x.93 x.06
15	712-3022	Hex Lock Nut, 1/2-13
16	681-04112	Beam Assembly
17	710-0190	Hex Screw, 5/16-18 x 4.00
18	710-04683B	Self Tapping Screw, 3/8-16 x 1.0
19	781-04426	Dislodger Bracket
20	781-0790A	Back Plate
21	737-04308	Inlet Filter
22	727-0443	Return Hose, 3/4 x 44
23	726-0132	Hose Clamp, 5/8
24	737-04267	Filter Housing
25	723-0405	Oil Filter
26	734-0873	Hub Cap
27	714-0162	Cotter Pin
28	712-0359	Slotted Nut, 3/4-16
29	634-0186	Complete Wheel Assembly
	921-0168	Dust Seal
	941-04089	Roller Bearing
30	936-0351	Flat Washer, .760 x.500
31	737-04323	Hydraulic Fitting, 1 1/16 Orb x .75
32	710-0376	Hex Screw, 5/16-18 x 1.00
33	737-0348A	Vented Dipstick
34	711-05169	Clevis Pin
35	747-04983	Lock Rod
36	914-0470	Cotter Pin

Ref.	Part Number	Description
37	726-0214	Push Cap
38	732-0583	Compression Spring
39	781-04293	Log Tray Bracket
40	710-04484	Hex Washer Screw, 5/16-18 x .750
41	712-04065	Flange Lock Nut, 3/8-16
42	781-04179	Log Tray
43	681-04113	Frame Assembly
44	710-0521	Hex Bolt, 3/8-16 x 3
45	719-0278	Coupling Shield
46	914-0122	Square Key, 3/16" x .75
47	718-04474	Coupling, .750
48	712-04063	Flange Lock Nut, 5/16-18
49	781-0097	Rear Coupling Support Bracket
50	781-1024A	Fender Mounting Bracket
51	727-04356	Hose
52	918-04127	Gear Pump
53	737-04320	45 Degree Elbow Fitting
54	727-04288	High Pressure Hydraulic Hose
55	781-04424	Tongue Assembly
56	747-1261	Latch Rod
57	781-1045	Latch
58	932-3127	Compression Spring
59	736-0371	Flat Washer
60	711-04585	Clevis Pin
61	710-3085	Hex Cap Screw, 3/8-16 x 3.50
62	936-0185	Flat Washer, .375 x.738 x.063
63	747-04539A	Hydraulic Valve Control
64	681-04030	Hitch Coupling Assembly
65	713-0433A	Chain
66	731-2496A	Fender
67	911-0813	Clevis Pin
68	720-04088	Grip
69	732-0194	Spring Pin
70	781-04430	Jack Stand
71	715-0120	Spiral Pin
72	936-0119	Lock Washer, 5/16
73	710-0602	Self-Tapping Screw, 5/16-18 x 1.00
74	913-04036	Valve Handle Link

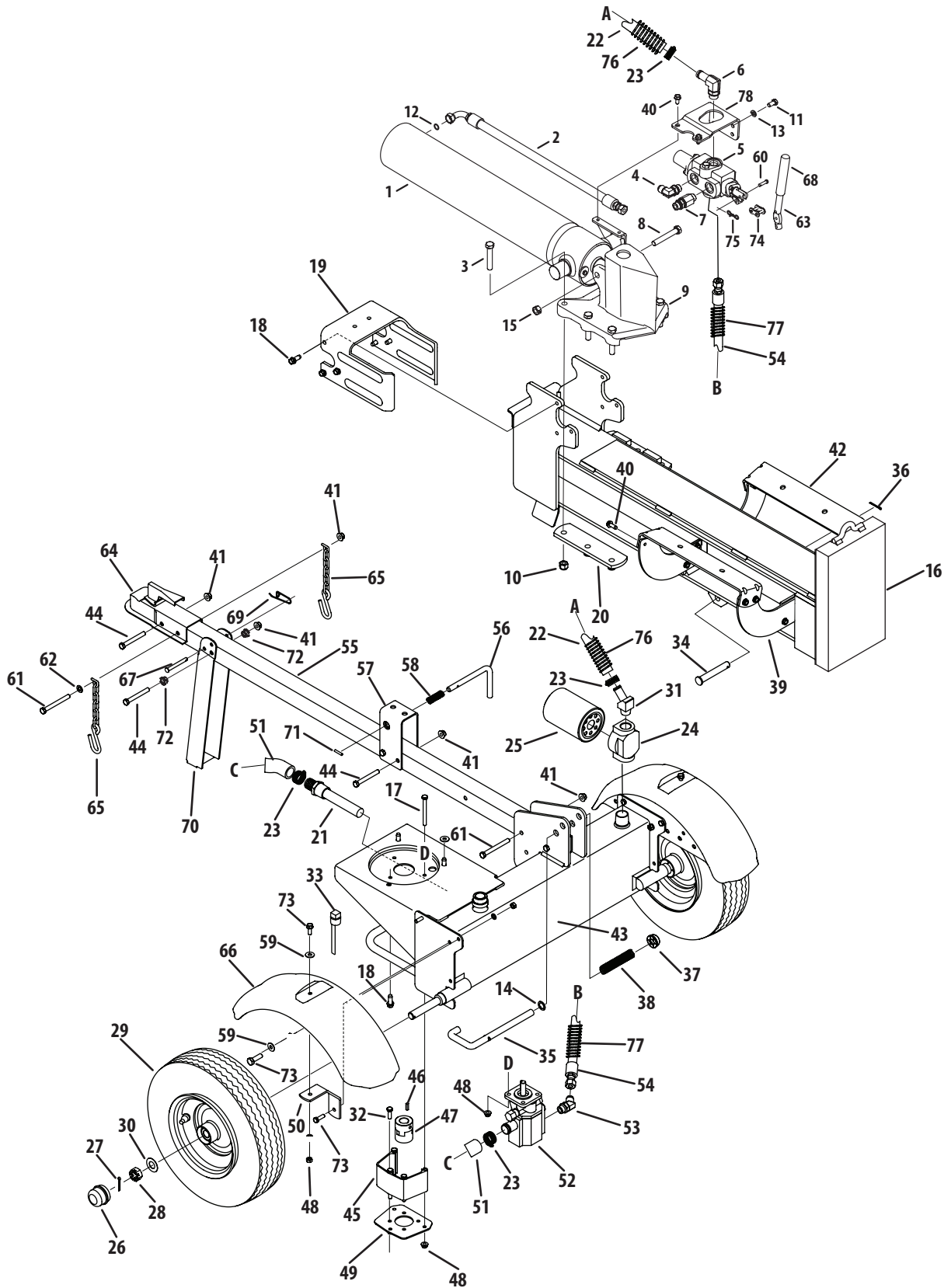
Continued on next page

TB 27 LS (MTD Engine)

Ref.	Part Number	Description
75	714-04040	Cotter Pin, Bow Tie
76	781-0526A	Hose Guard, 48"
77	781-0538A	Hose Guard, 44"
78	781-0098A	Front Coupling Support Bracket
79	781-04418	Outer Valve Bracket
80	941-0475	Plastic Bushing, .380 ID
81	718-04392	Coupling, .500
82	735-04103	Spider Bushing
83	710-1842A	Set Screws
84	710-0157	Hex Cap Screw, 5/16-24 x .75

Page Left Blank Intentionally

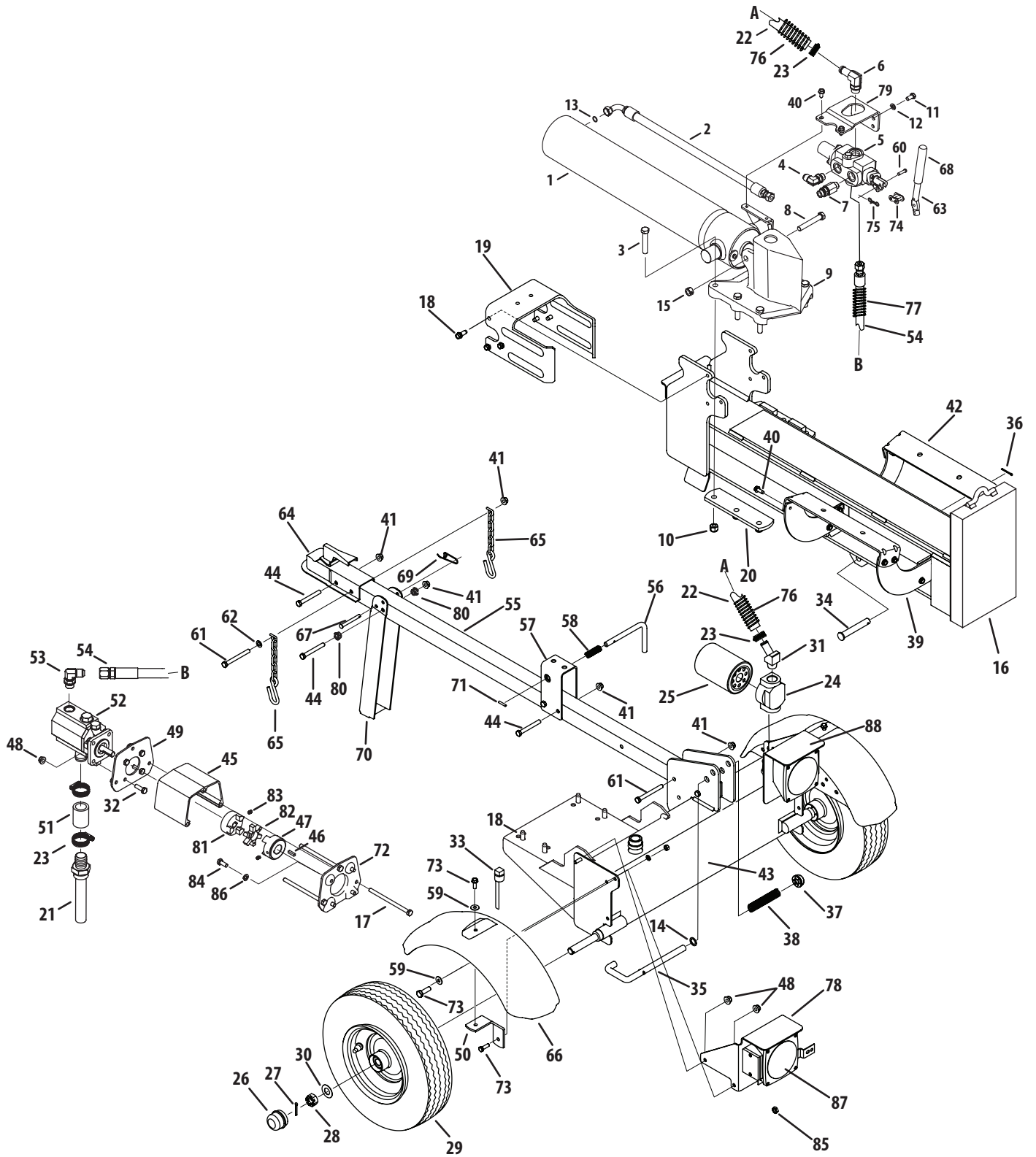
Model 51MX



Ref.	Part Number	Description
1	918-04713	Hydraulic Cylinder
2	727-04362	Hydraulic Tube
3	710-1018	Hex Cap Screw, 1/2-20 x 2.75
4	737-04320	90 Degree Solid Adapter
5	718-04739P	Control Valve
6	737-04307	Return Elbow
7	737-04309	Nipple Pipe, 1/2-14
8	710-1806	Hex Cap Screw, 1/2-13 x 3.25
9	719-04529	Wedge Assembly
10	912-3058	Hex Lock Nut, 1/2-20
11	710-0216	Hex Cap Screw, 3/8-16 x .75
12	721-04411	O-Ring, .419 ID x .070 Dia.
13	936-0169	Lock Washer, 3/8
14	936-0116	Flat Washer, .635 x.93 x.06
15	712-3022	Hex Lock Nut, 1/2-13
16	681-04112	Beam Assembly
17	710-3056	Hex Screw, 5/16-18 x 3.25
18	710-04683B	Self Tapping Screw, 3/8-16 x 1.0
19	781-04426	Dislodger Bracket
20	781-0790A	Back Plate
21	737-04308	Inlet Filter
22	727-0443	Return Hose, 3/4 x 44
23	726-0132	Hose Clamp, 5/8
24	737-04267	Filter Housing
25	723-0405	Oil Filter
26	734-0873	Hub Cap
27	714-0162	Cotter Pin
28	712-0359	Slotted Nut, 3/4-16
29	634-0186	Complete Wheel Assembly
—	921-0168	Dust Seal
—	941-04089	Roller Bearing
30	936-0351	Flat Washer, .760 x.500
31	737-04323	Hydraulic Fitting, 1 1/16 Orb x .75
32	710-0376	Hex Screw, 5/16-18 x 1.00
33	737-0348A	Vented Dipstick
34	711-05169	Clevis Pin
35	747-04983	Lock Rod
36	914-0470	Cotter Pin
37	726-0214	Push Cap
38	732-0583	Compression Spring
39	781-04293	Log Tray Bracket
40	710-04484	Hex Washer Screw, 5/16-18 x .750

Ref.	Part Number	Description
41	712-04065	Flange Lock Nut, 3/8-16
42	781-04179	Log Tray
43	681-04131	Frame Assembly
44	710-0521	Hex Bolt, 3/8-16 x 3
45	719-0353	Coupling Shield
46	914-0122	Square Key, 3/16" x .75
47	N/A	Log Splitter Coupling
—	718-04392	Coupling, .500
—	718-04395	Coupling, .875
—	735-0652	Spider Bushing
—	710-1842A	Set Screws
48	712-04063	Flange Lock Nut, 5/16-18
49	781-0097	Rear Coupling Support Bracket
50	781-1024A	Fender Mounting Bracket
51	727-04290	Hose
52	918-04127	Gear Pump
53	737-04321	45 Degree Elbow Fitting
54	727-04288	High Pressure Hydraulic Hose
55	781-04424	Tongue Assembly
56	747-1261	Latch Rod
57	781-1045	Latch
58	932-3127	Compression Spring
59	736-0371	Flat Washer
60	711-04585	Clevis Pin
61	710-3085	Hex Cap Screw, 3/8-16 x 3.50
62	936-0185	Flat Washer, .375 x.738 x.063
63	747-04539A	Hydraulic Valve Control
64	681-04030	Hitch Coupling Assembly
65	713-0433A	Chain
66	731-2496A	Fender
67	911-0813	Clevis Pin
68	720-04088	Grip
69	732-0194	Spring Pin
70	781-04430	Jack Stand
71	715-0120	Spiral Pin
72	941-0475	Plastic Bushing, .380 ID
73	710-0602	Self-Tapping Screw, 5/16-18 x 1.00
74	913-04036	Valve Handle Link
75	714-04040	Cotter Pin, Bow Tie
76	781-0526A	Hose Guard, 48"
77	781-0538A	Hose Guard, 44"
78	781-04418	Outer Valve Bracket

Model 57M1



Ref.	Part Number	Description
1	918-04713	Hydraulic Cylinder
2	727-04362	Hydraulic Tube
3	710-1018	Hex Cap Screw, 1/2-20 x 2.75
4	737-04320	90 Degree Solid Adapter
5	718-04706P	Control Valve
6	737-04307	Return Elbow
7	737-04309	Nipple Pipe, 1/2-14
8	710-1806	Hex Cap Screw, 1/2-13 x 3.25
9	719-04529	Wedge Assembly
10	912-3058	Hex Lock Nut, 1/2-20
11	710-0216	Hex Cap Screw, 3/8-16 x .75
12	936-0169	Lock Washer, 3/8
13	721-04411	O-Ring, .489 ID x .070 Dia.
14	936-0116	Flat Washer, .635 x.93 x.06
15	712-3022	Hex Lock Nut, 1/2-13
16	681-04112	Beam Assembly
17	710-0190	Hex Screw, 5/16-18 x 4.00
18	710-04683B	Self Tapping Screw, 3/8-16 x 1.0
19	781-04426	Dislodger Bracket
20	781-0790A	Back Plate
21	737-04308	Inlet Filter
22	727-0443	Return Hose, 3/4 x 44
23	726-0132	Hose Clamp, 5/8
24	737-04267	Filter Housing
25	723-0405	Oil Filter
26	734-0873	Hub Cap
27	714-0162	Cotter Pin
28	712-0359	Slotted Nut, 3/4-16
29	634-0186	Complete Wheel Assembly
	921-0168	Dust Seal
	941-04089	Roller Bearing
30	936-0351	Flat Washer, .760 x.500
31	737-04323	Hydraulic Fitting, 1 1/16 Orb x .75
32	710-0376	Hex Screw, 5/16-18 x 1.00
33	737-0348A	Vented Dipstick
34	711-05169	Clevis Pin
35	747-04983	Lock Rod
36	914-0470	Cotter Pin

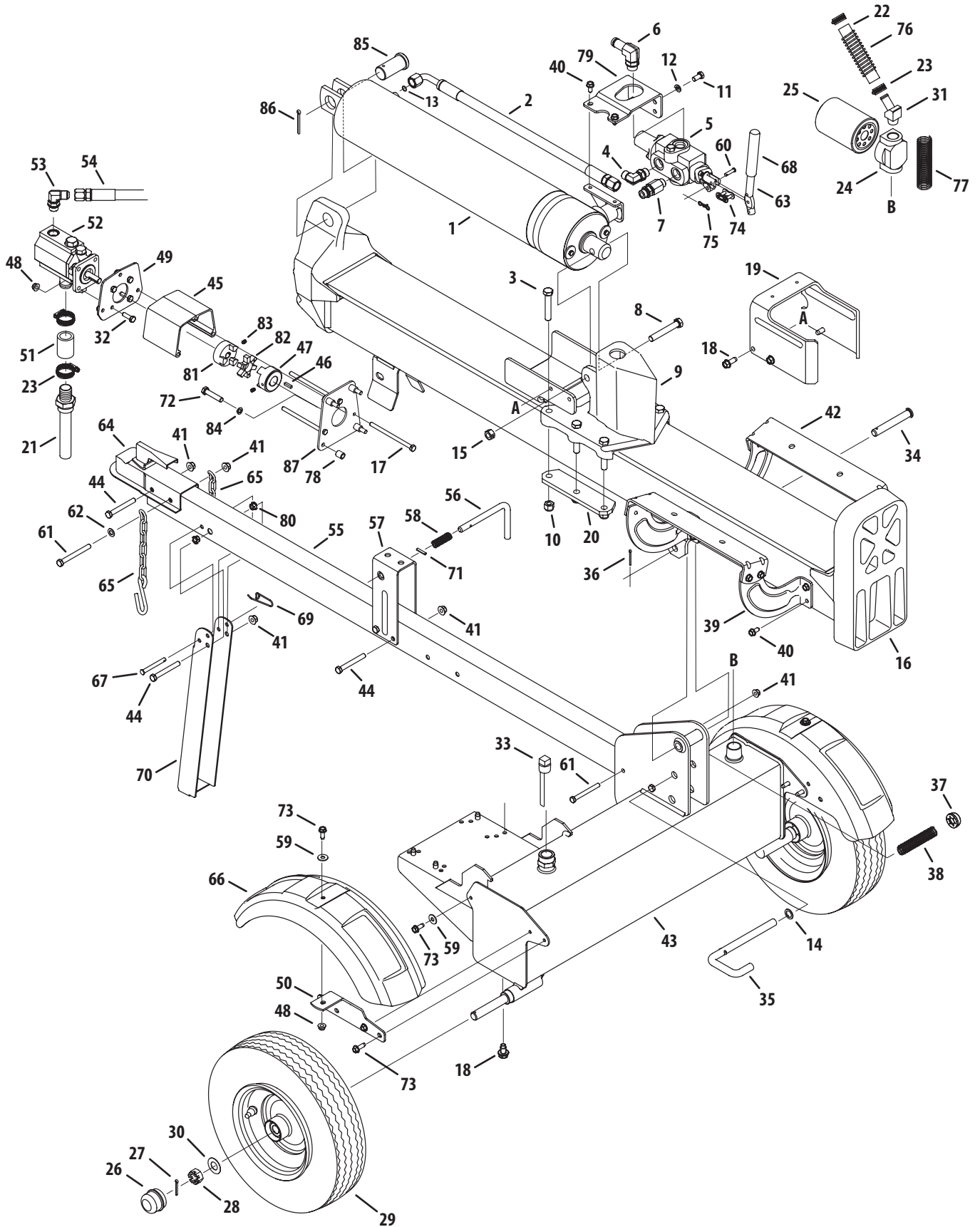
Ref.	Part Number	Description
37	726-0214	Push Cap
38	732-0583	Compression Spring
39	781-04293	Log Tray Bracket
40	710-04484	Hex Washer Screw, 5/16-18 x .750
41	712-04065	Flange Lock Nut, 3/8-16
42	781-04179	Log Tray
43	681-04113	Frame Assembly
44	710-0521	Hex Bolt, 3/8-16 x 3
45	719-0278	Coupling Shield
46	914-0122	Square Key, 3/16" x .75
47	718-04474	Coupling, .750
48	712-04063	Flange Lock Nut, 5/16-18
49	781-0097	Rear Coupling Support Bracket
50	781-1024A	Fender Mounting Bracket
51	727-04356	Hose
52	918-04127	Gear Pump
53	737-04320	45 Degree Elbow Fitting
54	727-04288	High Pressure Hydraulic Hose
55	781-04424	Tongue Assembly
56	747-1261	Latch Rod
57	781-1045	Latch
58	932-3127	Compression Spring
59	736-0371	Flat Washer
60	711-04585	Clevis Pin
61	710-3085	Hex Cap Screw, 3/8-16 x 3.50
62	936-0185	Flat Washer, .375 x.738 x.063
63	747-04539A	Hydraulic Valve Control
64	681-04030	Hitch Coupling Assembly
65	713-0433A	Chain
66	731-2496A	Fender
67	911-0813	Clevis Pin
68	720-04088	Grip
69	732-0194	Spring Pin
70	781-04430	Jack Stand
71	715-0120	Spiral Pin
72	781-0098A	Front Coupling Support Bracket
73	710-0602	Self-Tapping Screw, 5/16-18 x 1.00
74	913-04036	Valve Handle Link

Continued on next page

Model 57M1

Ref.	Part Number	Description
75	714-04040	Cotter Pin, Bow Tie
76	781-0526A	Hose Guard, 48"
77	781-0538A	Hose Guard, 44"
78	781-1027A	RH Light Bracket
79	781-04418	Outer Valve Bracket
80	941-0475	Plastic Bushing, .380 ID
81	718-04392	Coupling, .500
82	735-04103	Spider Bushing
83	710-1842A	Set Screws
84	710-0157	Hex Cap Screw, 5/16-24 x .75
85	912-3008	Jam Nut, 3/8-16
86	936-0119	Lock Washer, 5/16
87	625-0062	Light Assembly Kit
88	681-0164	LH Light Bracket

Page Left Blank Intentionally



Ref.	Part Number	Description
1	918-04714	Hydraulic Cylinder
2	727-04362	Hydraulic Tube
3	710-1018	Hex Cap Screw, 1/2-20 x 2.75
4	737-04320	90 Degree Solid Adapter
5	718-04706P	Control Valve
6	737-04307	Return Elbow
7	737-04309	Nipple Pipe, 1/2-14
8	710-1806	Hex Cap Screw, 1/2-13 x 3.25
9	719-04529	Wedge Assembly
10	912-3058	Hex Lock Nut, 1/2-20
11	710-0216	Hex Cap Screw, 3/8-16 x .75
12	936-0169	Lock Washer, 3/8
13	721-04411	O-Ring, .489 ID x .070 Dia.
14	936-0116	Flat Washer, .635 x.93 x.06
15	712-3022	Hex Lock Nut, 1/2-13
16	981-04140	Beam Assembly
17	710-0974	Hex Screw, 5/16-18 x 4.75
18	710-04683B	Self Tapping Screw, 3/8-16 x 1.0
19	781-0525	Dislodger Bracket
20	781-0790A	Back Plate
21	737-04308	Inlet Filter
22	727-0443	Return Hose, 3/4 x 44
23	726-0132	Hose Clamp, 5/8
24	737-04267	Filter Housing
25	723-0405	Oil Filter
26	734-0873	Hub Cap
27	714-0162	Cotter Pin
28	712-0359	Slotted Nut, 3/4-16
29	634-0186	Complete Wheel Assembly
	921-0168	Dust Seal
	941-04089	Roller Bearing
30	936-0351	Flat Washer, .760 x 1.500
31	737-04323	Hydraulic Fitting, 1 1/16 Orb x .75
32	710-0376	Hex Screw, 5/16-18 x 1.00
33	737-0348A	Vented Dipstick
34	711-05169	Clevis Pin
35	747-04983	Lock Rod
36	914-0470	Cotter Pin
37	726-0214	Push Cap
38	732-0583	Compression Spring

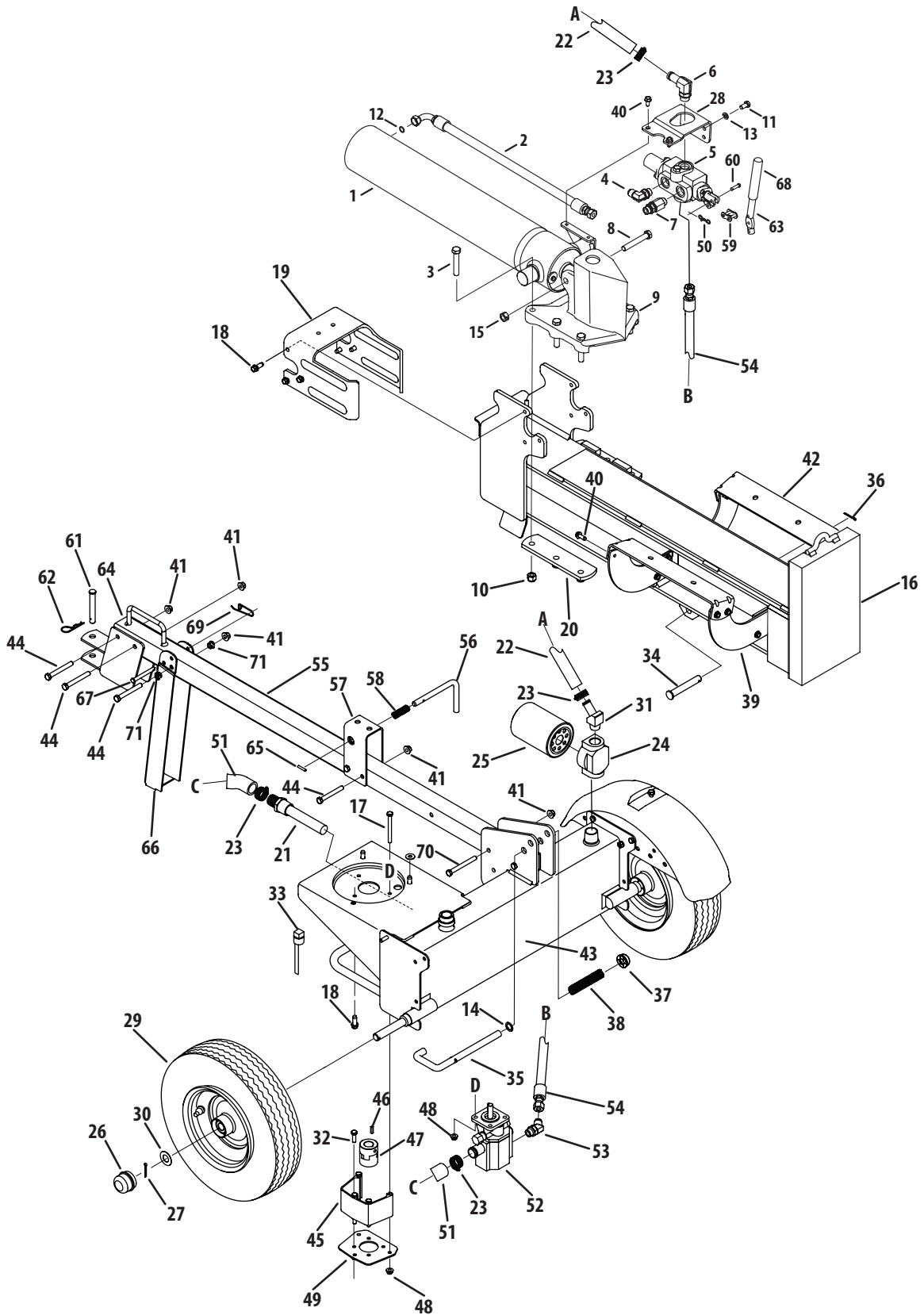
Ref.	Part Number	Description
39	781-04293	Log Tray Bracket
40	710-04484	Hex Washer Screw, 5/16-18 x .750
41	712-04065	Flange Lock Nut, 3/8-16
42	781-04179	Log Tray
43	981-04171	Frame Assembly
44	710-0521	Hex Bolt, 3/8-16 x 3
45	719-0281	Coupling Shield
46	914-0122	Square Key, 3/16 x .75
47	718-04395	Coupling, .875
48	712-04063	Flange Lock Nut, 5/16-18
49	781-0097	Rear Coupling Support Bracket
50	781-04174	Fender Mounting Bracket
51	727-0451	Hose
52	918-04128	Gear Pump
53	737-04322	Hydraulic Fitting, 7/8 Orb x .8125
54	727-04288	High Pressure Hydraulic Hose
55	781-04372	Tongue Assembly
56	747-1261	Latch Rod
57	781-04420	Latch
58	932-3127	Compression Spring
59	736-0371	Flat Washer
60	711-04585	Clevis Pin
61	710-3085	Hex Cap Screw, 3/8-16 x 3.50
62	936-0185	Flat Washer, .375 x.738 x.063
63	747-04539A	Hydraulic Valve Control
64	681-04030	Hitch Coupling Assembly
65	713-0433A	Chain
66	731-2496A	Fender
67	911-0813	Clevis Pin
68	720-04088	Grip
69	732-0194	Spring Pin
70	781-04429	Jack Stand
71	715-0120	Spiral Pin
72	710-0157	Hex Cap Screw, 5/16-24 x .75
73	710-0602	Self-Tapping Screw, 5/16-18 x 1.00
74	913-04036	Valve Handle Link
75	714-04040	Cotter Pin, Bow Tie
76	781-0526A	Hose Guard, 48"
77	781-0538A	Hose Guard, 44"
78	711-0396	Spacer, .385 x .623 x .75 LG

Continued on next page

Ref.	Part Number	Description
79	781-04418	Outer Valve Bracket
80	941-0475	Plastic Bushing, .380 ID
81	718-04392	Coupling, .500
82	735-04103	Spider Bushing
83	710-1842A	Set Screws
84	936-0119	Lock Washer, 5/16
85	711-1135	Clevis Pin, 1.25 x 2.50
86	714-0211	Cotter Pin, 3/16 x 2
87	781-0098A	Front Coupling Support Bracket

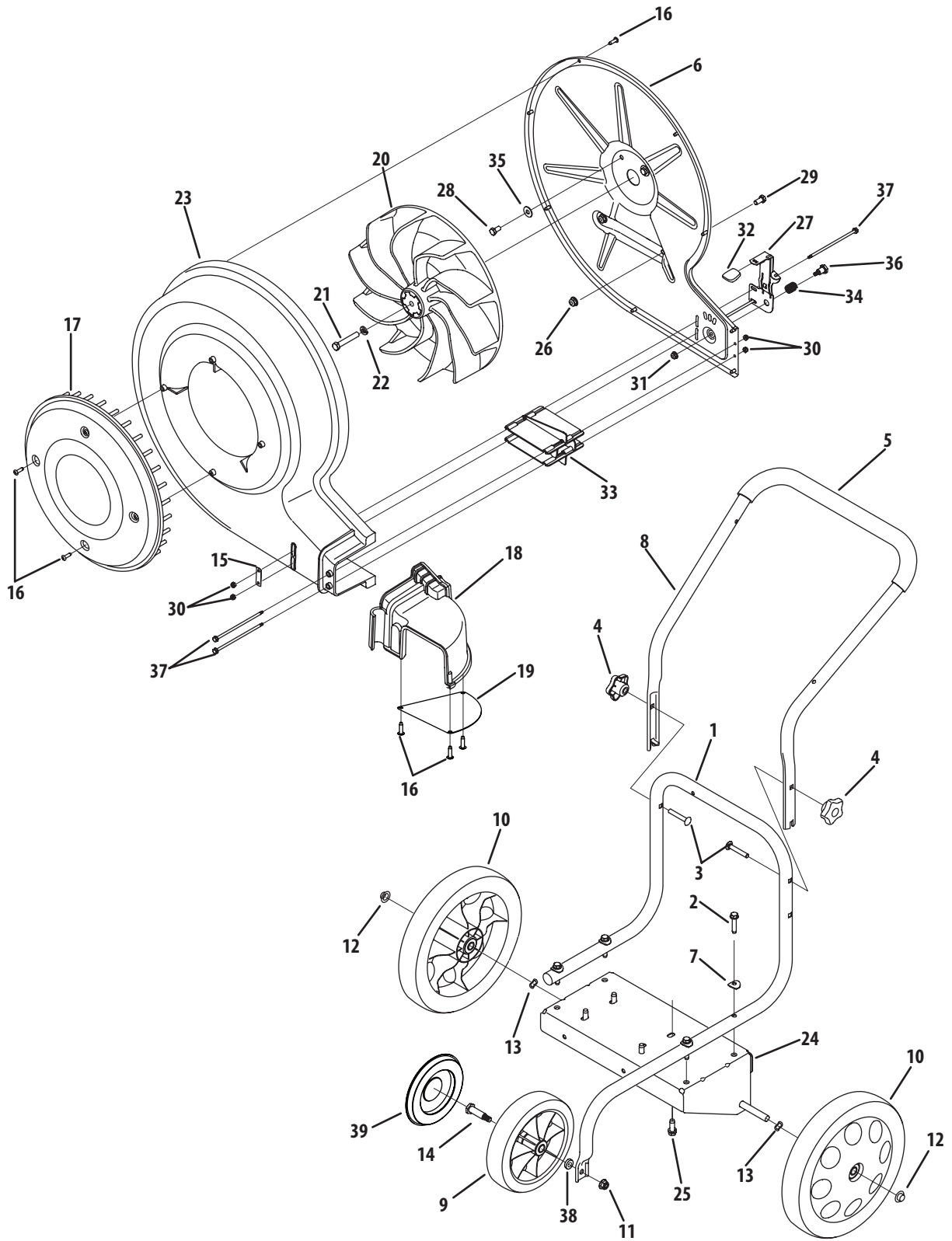
Page Left Blank Intentionally

Model 50MX



Ref.	Part Number	Description
1	918-04713	Hydraulic Cylinder
2	727-04362	Hydraulic Tube
3	710-1018	Hex Cap Screw, 1/2-20 x 2.75
4	737-04320	90 Degree Solid Adapter
5	718-05392	Control Valve
6	737-04307	Return Elbow
7	737-04309	Nipple Pipe, 1/2-14
8	710-1806	Hex Cap Screw, 1/2-13 x 3.25
9	719-04529	Wedge Assembly
10	912-3058	Hex Lock Nut, 1/2-20
11	710-0216	Hex Cap Screw, 3/8-16 x .75
12	721-04411	O-Ring, .419 ID x .070 Dia.
13	936-0169	Lock Washer, 3/8
14	936-0116	Flat Washer, .635 x.93 x.06
15	712-3022	Hex Lock Nut, 1/2-13
16	681-04112	Beam Assembly
17	710-3056	Hex Screw, 5/16-18 x 3.25
18	710-04683B	Self Tapping Screw, 3/8-16 x 1.0
19	781-04426	Dislodger Bracket
20	781-0790A	Back Plate
21	737-04308	Inlet Filter
22	727-0443	Return Hose, 3/4 x 44
23	726-0132	Hose Clamp, 5/8
24	737-04267	Filter Housing
25	723-0405	Oil Filter
26	734-0484A	Hub Cap
27	714-0162	Cotter Pin
28	781-04418	Outer Valve Bracket
29	634-05059	Complete Wheel Assembly
30	736-0316	Flat Washer, .780 x 1.590
31	737-04323	Hydraulic Fitting, 1 1/16 Orb x .75
32	710-0376	Hex Screw, 5/16-18 x 1.00
33	737-0348A	Vented Dipstick
34	711-05169	Clevis Pin
35	747-04983	Lock Rod
36	914-0470	Cotter Pin
37	726-0214	Push Cap
38	732-0583	Compression Spring

Ref.	Part Number	Description
39	781-04293	Log Tray Bracket
40	710-04484	Hex Washer Screw, 5/16-18 x .750
41	712-04065	Flange Lock Nut, 3/8-16
42	781-04179	Log Tray
43	681-04187	Frame Assembly
44	710-0521	Hex Bolt, 3/8-16 x 3
45	719-0353	Coupling Shield
46	914-0122	Square Key, 3/16" x .75
47	N/A	Log Splitter Coupling
—	718-04392	Coupling, .500
—	718-04395	Coupling, .875
—	735-0652	Spider Bushing
—	710-1842A	Set Screws
48	712-04063	Flange Lock Nut, 5/16-18
49	781-0097	Rear Coupling Support Bracket
50	714-04040	Cotter Pin, Bow Tie
51	727-04290	Hose
52	918-04127	Gear Pump
53	737-04321	45 Degree Elbow Fitting
54	727-04288	High Pressure Hydraulic Hose
55	681-04188	Tongue Assembly
56	747-1261	Latch Rod
57	781-1045	Latch
58	932-3127	Compression Spring
59	913-04036	Valve Handle Link
60	711-04585	Clevis Pin
61	711-0578	Clevis Pin
62	714-3020	Internal Cotter Pin
63	747-04539A	Hydraulic Valve Control
64	681-0167	Hitch Mounting Assembly
65	715-0120	Spiral Pin
66	781-04430	Jack Stand
67	911-0813	Clevis Pin
68	720-04088	Grip
69	732-0194	Spring Pin
70	710-3085	Hex Cap Screw, 3/8-16 x 3.50
71	941-0475	Plastic Bushing, .380 ID

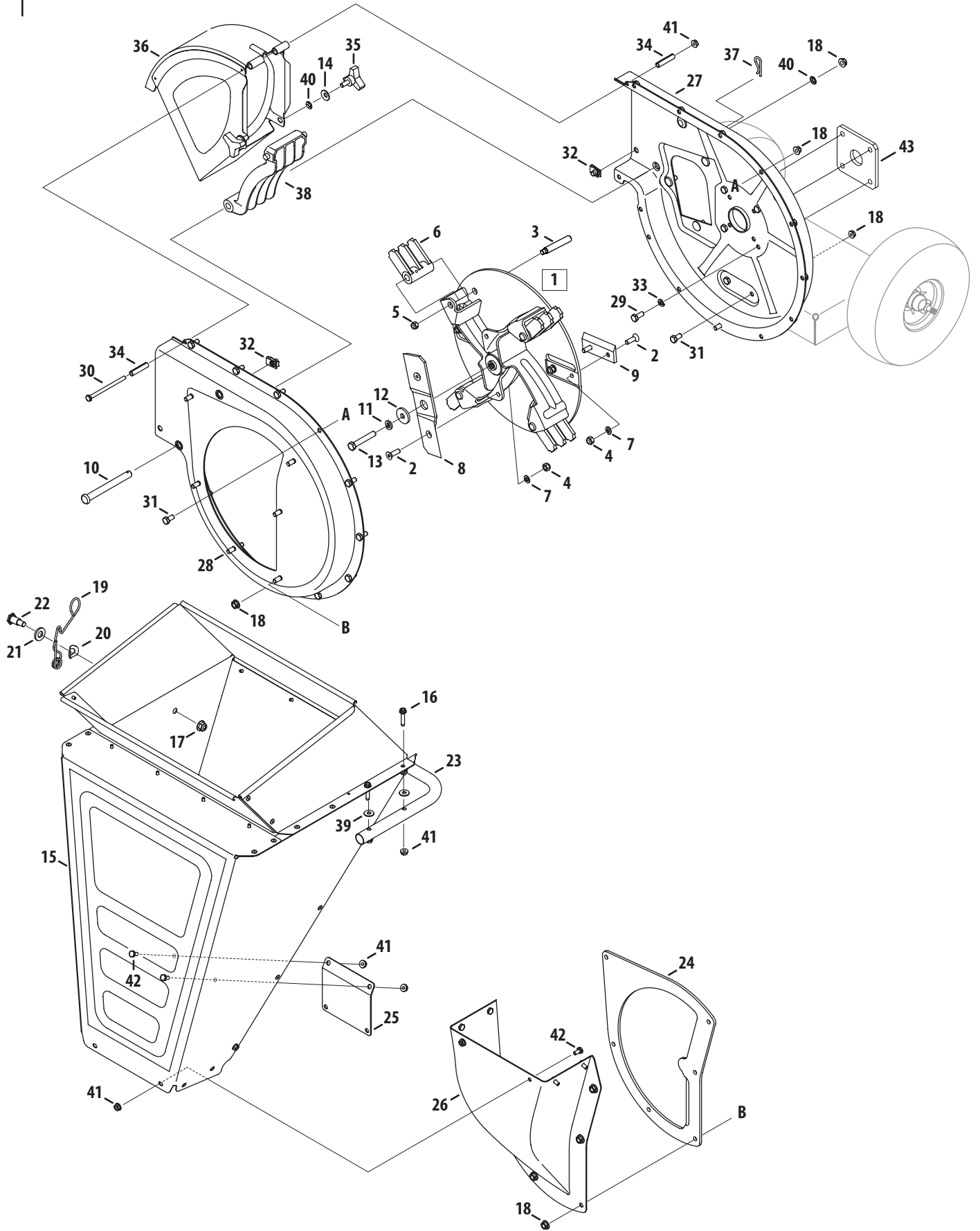


Ref.	Part Number	Description
1.	749-04292	Lower Handle Assembly
2.	710-04605	Hex Screw, 5/16-18 x 1.50
3.	710-0487	Carriage Screw, 5/16-18 x 2.00
4.	720-04072A	Star Knob, 5/16-18
5.	720-04091	Foam Grip, .970 x 25
6.	781-04165	Back Plate
7.	936-0451	Saddle Washer, .320 x .93 x .060
8.	749-04291	Upper Handle
9.	634-05036	Wheel, 8 x 2
10.	734-04019	Wheel, 12"
11.	712-04065	Flange Lock Nut, 3/8-16
12.	726-0299	Push Cap, 1/2"
13.	936-0504	Wave Washer, .510 x .750 x .017
14.	738-04523	Shoulder Screw, .496 x 1.605
15.	781-04212	Guide Plate
16.	710-04373A	Hex Screw, 12-16 x .75
17.	731-05664	Blower Cover
18.	631-04253	Chute Assembly
19.	781-04175	Chute Plate
20.	631-04213	Impeler Assembly

Ref.	Part Number	Description
21.	710-1254	Hex Screw, 3/8-24 x 2.25
22.	936-0217	Lock Washer, 3/8
23.	731-05592	Blower Housing
24.	681-04067A	Frame
25.	710-0654A	Sems Screw, 3/8-16 x 1.000
26.	712-04063	Flange Lock Nut, 5/16-18
27.	781-04181	Louver Lever
28.	710-0237	Hex Bolt, 5/16-24 x .625
29.	710-3008	Hex Bolt, 5/16-18 x .75
30.	712-04035	Hex Lock Nut, #8-32
31.	712-04064	Flange Lock Nut, 1/4-20
32.	720-0426	Height Adjustment Knob
33.	731-05644	Louver Plate
34.	932-3042	Comp. Spring, .515 x .641 x .95
35.	736-0242	Bell Washer, .340 x .872 x .060
36.	738-04222	Shoulder Screw, .437 x .50 x 1/4-20
37.	738-04223	Shoulder Screw, .18 x 4.8 x 8-32
38.	736-3004	Flat Washer, .406 x .875 x .105
39.	731-07198	Hubcap, 8"
—	723-0400*	Safety Glasses

* Not Shown

CS Model Series 410 & 420



CS Model Series 410 & 420

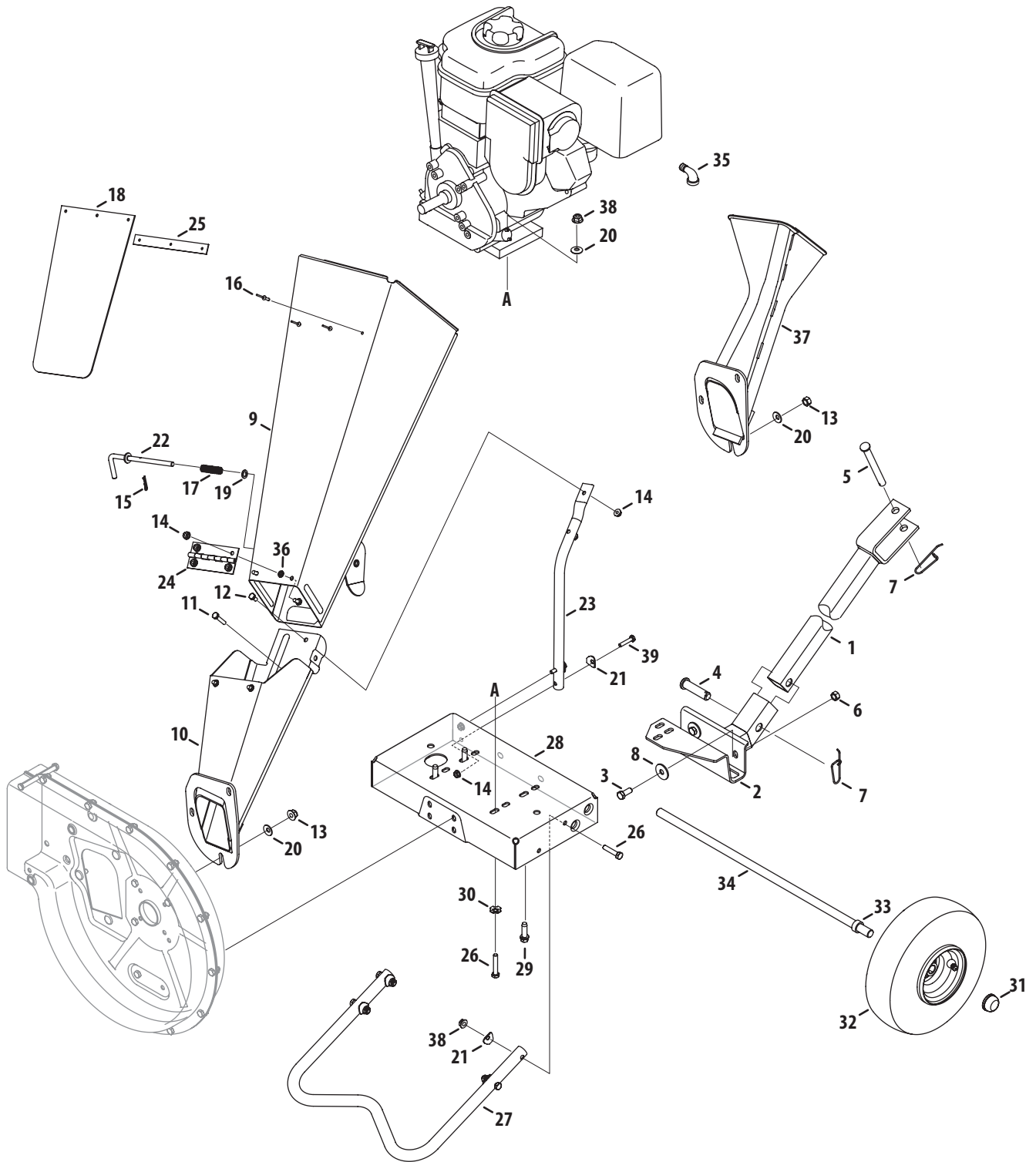
Ref No.	Part Number	Description
1	981-04094	Impeller Assembly Complete
2	710-1054	Machine Screw, 5/16-24 x 1.0
3	738-04286A	Shoulder Pin, .5 x 2.625
4	912-0411	Hex Lock Nut, 5/16-24
5	712-0266A	Nut, Jam Lock, 3/8-16
6	719-04308	Flail Blade
7	936-0119	Lock Washer, 5/16
8	942-04050	Shredder Blade
9	942-0544B	Chipper Blade
10	911-0835	Clevis Pin,.50 x 4.62
11	936-0217	Lock Washer, 3/8
12	736-0247	Flat Washer,.406 x 1.25
13	710-1254	Hex Cap Screw, 3/8-24 x 2.2
14	736-0242	Bell Washer.340 ID x.872 OD
15	681-04011	Shredder Hopper Assembly
16	710-0809	Hex Cap Screw, 1/4-20 x 1.250
17	712-04065†	Flange Lock Nut, 3/8-16
18	712-3004A	Flange Lock Nut, 5/16-18
19	932-04167†	Torsion Spring
20	736-0182†	Spring Washer,.50 x 1.0 x.022
21	936-0326†	Flat Washer,.50 x 1.0 x.0125
22	738-0430†	Shoulder Screw, 3/8-16,
23	749-04103	Hopper Handle

Ref No.	Part Number	Description
24	781-04007	Shredder Plate
25	781-04027	Hopper Support Bracket
26	781-04033	Inlet Guide
27	681-04116	Inner Flail Housing Assembly
28	681-04002	Outer Flail Housing Assembly
	681-0004A†	Outer Flail Housing Assembly
29	710-0157	Hex Cap Screw, 5/16-24 x .75
	710-0888††	Hex Cap Screw 5/16-24 x 1.00
30	710-0825	Hex Cap Screw, 1/4-20 x 3.75
31	710-3025	Hex Cap Screw, 5/16-18 x .625
32	926-0211	U-Nut, 5/16-18
33	936-0119	Lock Washer, 5/16
34	950-0793	Hinge Spacer,.265 x.380 x 1.66
35	720-0170	Knob, 5/16-18
36	681-0094A	Chute Deflector Assembly
37	914-0149B	Internal Cotter Pin
38	719-04070	Shredder Screen
39	736-0173	Flat Washer, .28 x .74 x .063
40	726-0201	Speed Nut,.3125ID
41	712-04064	Nut, Flange, Lock, 1/4-20
42	710-0599	TT Screw, 1/4-20 x .5
43	781-04292††	Engine Plate

† Model Series 420

†† Model Series 410 (208 CC)

CS Model Series 410 & 420



CS Model Series 410 & 420

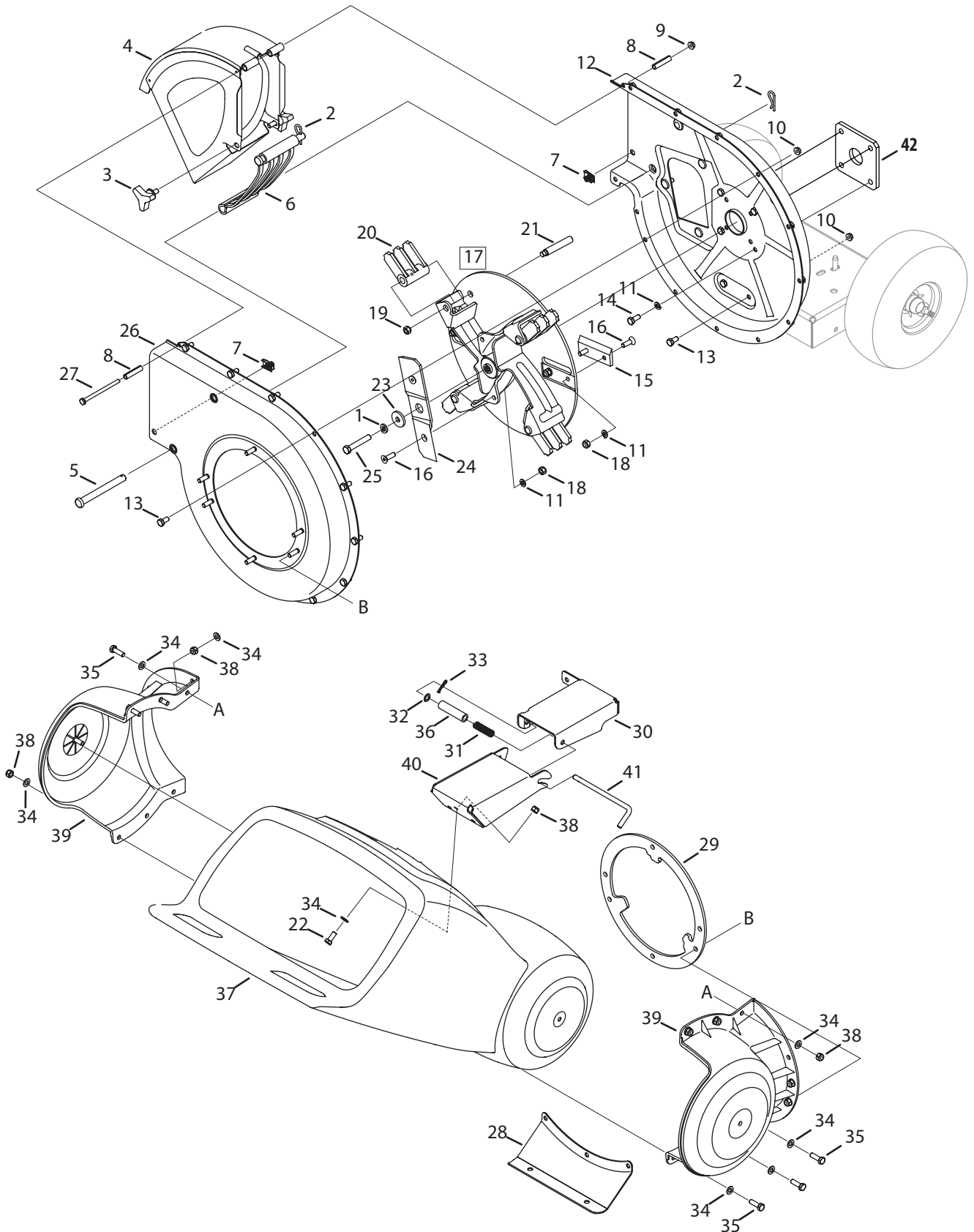
Ref No.	Part Number	Description	Ref No.	Part Number	Description
1	981-0133	Tongue Hitch Mount	22	947-04163†	Lock Rod
2	681-0134A	Base Hitch Mount	23	749-1004†	Chipper Chute Support
3	710-3001	Hex Cap Screw, 3/8-16 x.88	24	981-04032†	Chipper Chute Hinge
4	711-0299	Clevis Pin,.625 x 2.4	25	781-0633†	Chute Flap Strip
5	911-0835	Clevis Pin,.50 x 4.62	26	710-0805	Hex Cap Screw, 5/16-18 x 1.50
6	712-04065	Flange Lock Nut, 3/8-16	27	749-04104	Tube Support
7	732-0194	Spring Pin	28	681-0184C	Frame Assembly
8	936-0133	Flat Washer,.411 x 1.25 x 1.0	29	710-0502A	Hex Sems Screw, 3/8-16 x 1.25
9	681-04006†	Upper Chipper Chute Assembly	30	936-0170	Special Lock Washer, 5/16
10	681-04117†	Lower Chipper Chute Assembly	31	726-0214	Push Cap, 5/8
11	710-0106†	Hex Cap Screw, 1/4-20 x 1.25	32	934-04009	Wheel, 10 x 4 x 4
12	710-3013†	Screw, 1/4-20 x .50	33	950-0786	Spacer, .64 x .88 x .38
13	912-3010	Hex Nut, 5/16-18	34	738-0813	Axle, 22.47"
14	712-04064†	Flange Lock Nut 1/4-20	35	937-0195	Elbow Fitting
15	914-0104†	Cotter Pin	36	726-0233†	Push Nut,.25ID x.50OD
16	728-0175†	Pop Rivet	37	681-04118††	Chipper Chute
17	932-0306A†	Compression Spring,.531 x 1.75	38	712-3004A	Flange Lock Nut, 5/16-18
18	735-0249A†	Chute Flap	39	710-0809†	Hex Cap Screw, 1/4-20 x 1.250
19	936-0140†	Flat Washer	—	964-04023*	Debris Collection Bag
20	736-0242	Bell Washer.340 ID x.872 OD	—	723-0400*	Safety Glasses
21	936-0451	Washer,.320 ID x.93 OD			

† Model Series 420

†† Model Series 410

* Not Shown

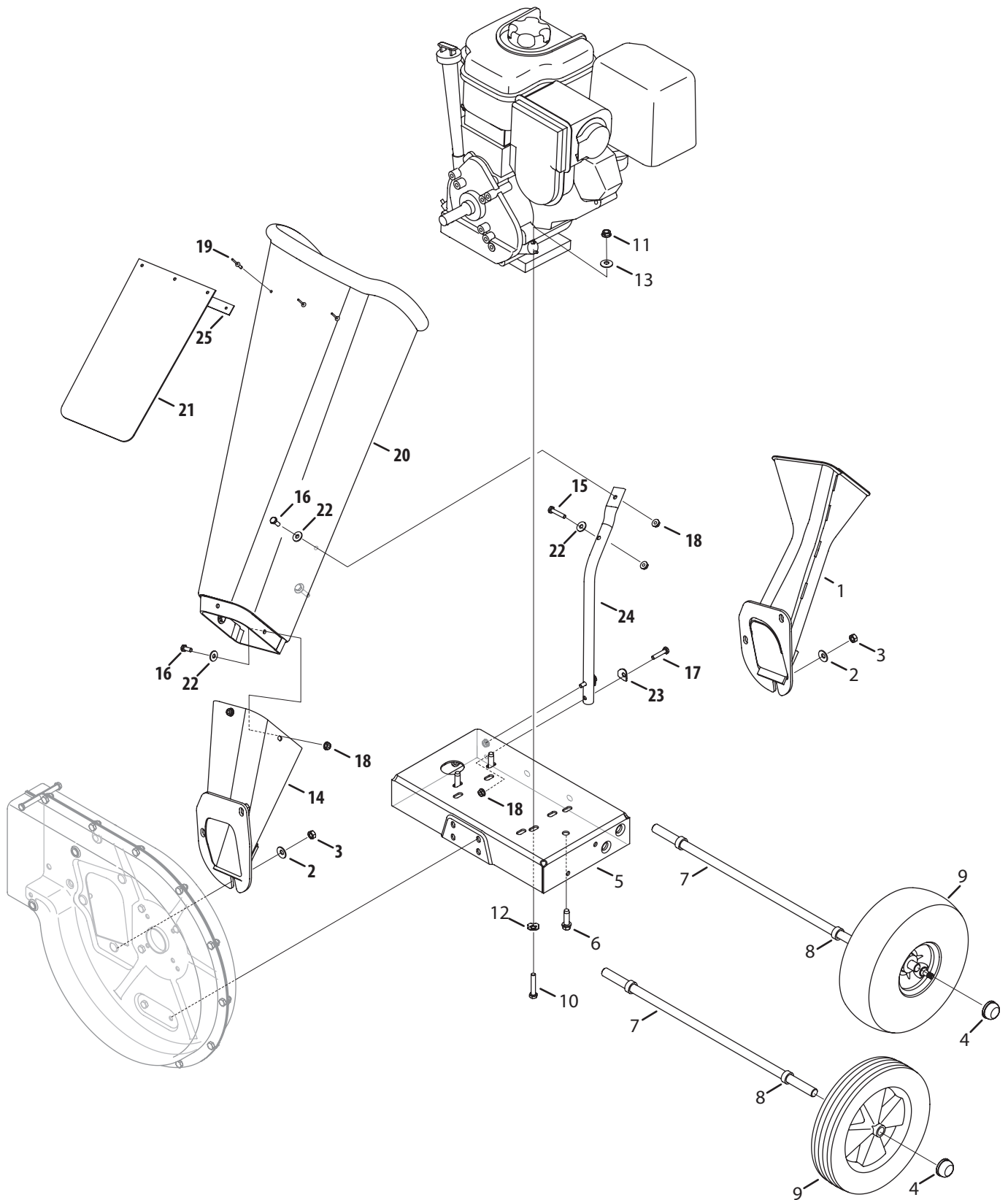
CS Model Series 450 & 460



Ref No.	Part Number	Description	Ref No.	Part Number	Description
1.	936-0217	Lock Washer, 3/8	21.	738-04286A	Shoulder Pin, .5 x 2.625
2.	914-0149B	Cotter Pin	22.	710-3008	Hex Cap Screw 5/16-18 x .75
3.	720-0170	Wing Knob 5/16-18	23.	736-0247	Flat Washer 3/8 x 1.25
4.	681-0094A	Chute Deflector Assembly	24.	942-0571	Shredder Blade
5.	911-0835	Clevis Pin	25.	710-1254	Hex Cap Screw 3/8-24 x 2.25
6.	781-0457	Shredder Screen	26.	681-0004A	Outer Impeller Housing Assembly
7.	926-0211	U-Nut 5/16-18	27.	710-0825	Hex Cap Screw 1/4-20 x 3.75
8.	950-0793	Spacer	28.	781-0515	Front Support Bracket
9.	912-3027	Hex Lock Nut, 1/4-20	29.	781-0574	Shredder Plate
10.	712-3004A	Hex Lock Nut 5/16-18	30.	681-0104	Rear Hopper Bracket Assembly
11.	936-0119	Lock Washer 5/16	31.	932-0306A	Compression Spring 1.75
12.	681-04116	Inner Impeller Housing Assembly	32.	936-0117	Flat Washer
13.	710-3025	Hex Cap Screw 5/16-18 x .625	33.	914-0104	Cotter Pin
14.	710-0157	Hex Cap Screw 5/16-24 x .75	34.	936-0264	Flat Washer .330 ID x .630 OD
	710-0888†	Hex Cap Screw 5/16-24 x 1.00	35.	710-0376	Hex Cap Screw 5/16-18 x 1.0
15.	981-0490	Chipper Blade (standard)	36.	748-0453	Spacer,.375 ID x 2.50 LG
	942-0544B	Chipper Blade (premium)	37.	731-1707A	Hopper Assembly
16.	710-1054	Hex Cap Screw 5/16-24 x 1.0	38.	912-0429	Hex Lock Nut 5/16-18
17.	981-04096	Impeller Assembly (standard)	39.	731-1710A	Hopper Collar
	681-04095	Impeller Assembly (premium)	40.	681-0123	Front Hopper Bracket Assembly
18.	912-0411	Hex Lock Nut 5/16-24	41.	711-1128	Lock Rod
19.	712-0266A	Nut, Jam Lock, 3/8-16	42.	781-04292†	Engine Plate
20.	719-04308	Flail Blade			

† Model Series 450 (208 CC)

CS Model Series 450 & 460



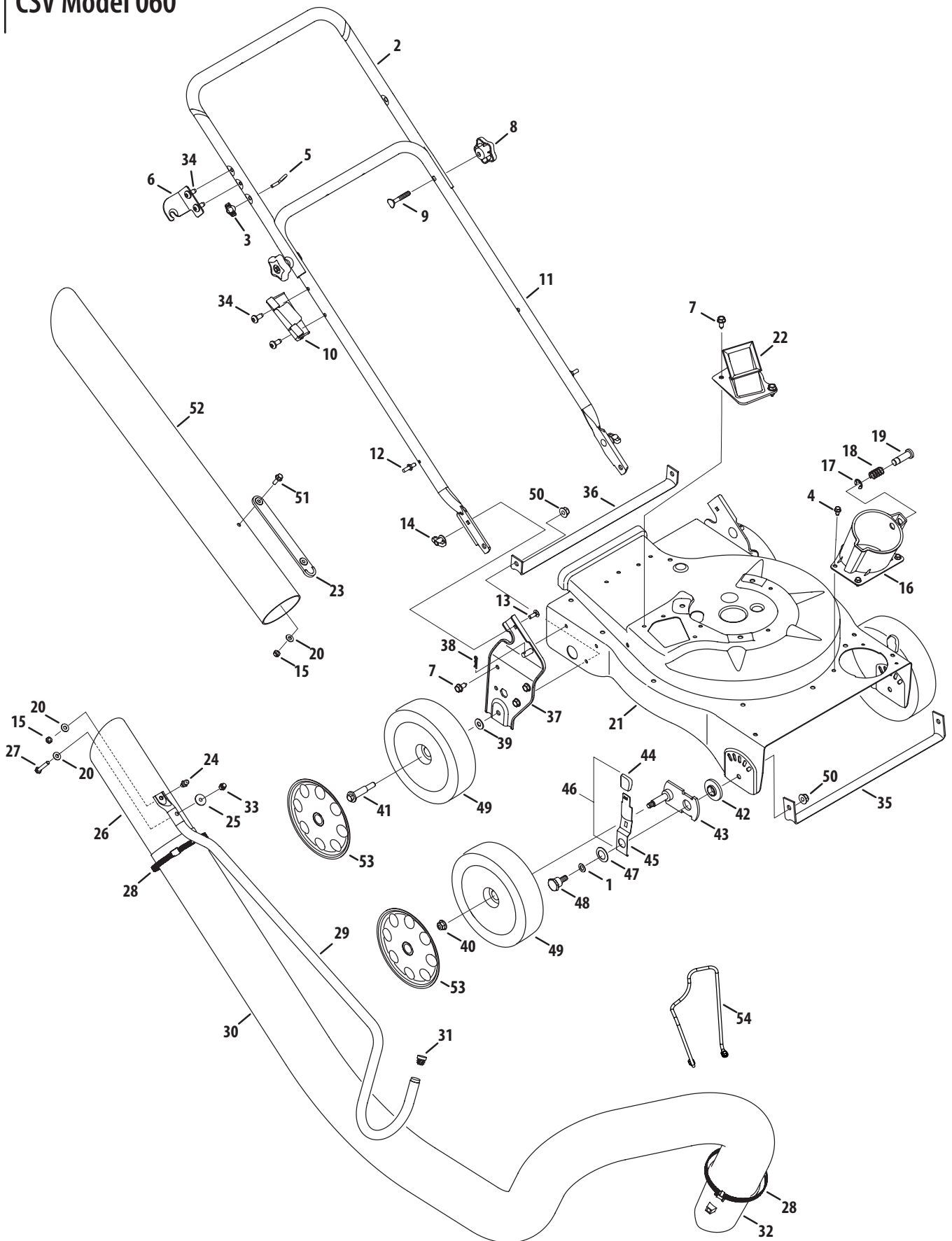
Ref No.	Part Number	Description
1.	681-04118†	Chipper Shredder Chute
2.	736-0242	Bell Washer.340 ID x.872 OD
3.	912-3010	Hex Nut 5/16-18
4.	726-0214	Push Cap
5.	681-0184C	Frame
6.	710-0502A	Screw, 3/8-16 x 1.250
7.	738-0814†	Axle Assembly
	738-0813††	Axle Assembly
8.	950-0786	Spacer
9.	734-1600†	Wheel Comp., 10.0 x 2.5 Plastic
	934-04009††	Wheel Comp., 10.0 x 4.0 Gray
10.	710-0805	Hex Cap Screw 5/16-18 x 1.50
11.	712-3004A	Hex Lock Nut 5/16-18
12.	936-0170	Bell Washer 5/16 x 1.0
13.	736-0242	Bell Washer.340 ID x.872 OD
14.	681-04119††	Chipper Chute Assembly
15.	710-0106††	Hex Cap Screw 1/4-20 x 1.25
16.	710-0751††	Hex Cap Screw 1/4 -20 x.620
17.	710-0809††	Hex Cap Screw, 1/4-20 x 1.250
18.	912-3027††	Hex Lock Nut 1/4-20
19.	728-0175††	Pop Rivet
20.	753-05094††	Chipper Shredder Chute
21.	735-0249A††	Chute Flap
22.	736-0173††	Flat Washer.28 ID x.74 OD
23.	936-0451††	Washer,.320 ID x.93 OD
24.	749-1004††	Support Brace
25.	781-0633††	Chute Flap Strip
—	964-04022^	Chipper Bag Ass'y
—	723-0400^	Safety Glasses

† Model Series 450

†† Model Series 460

^ Not Shown

CSV Model 060

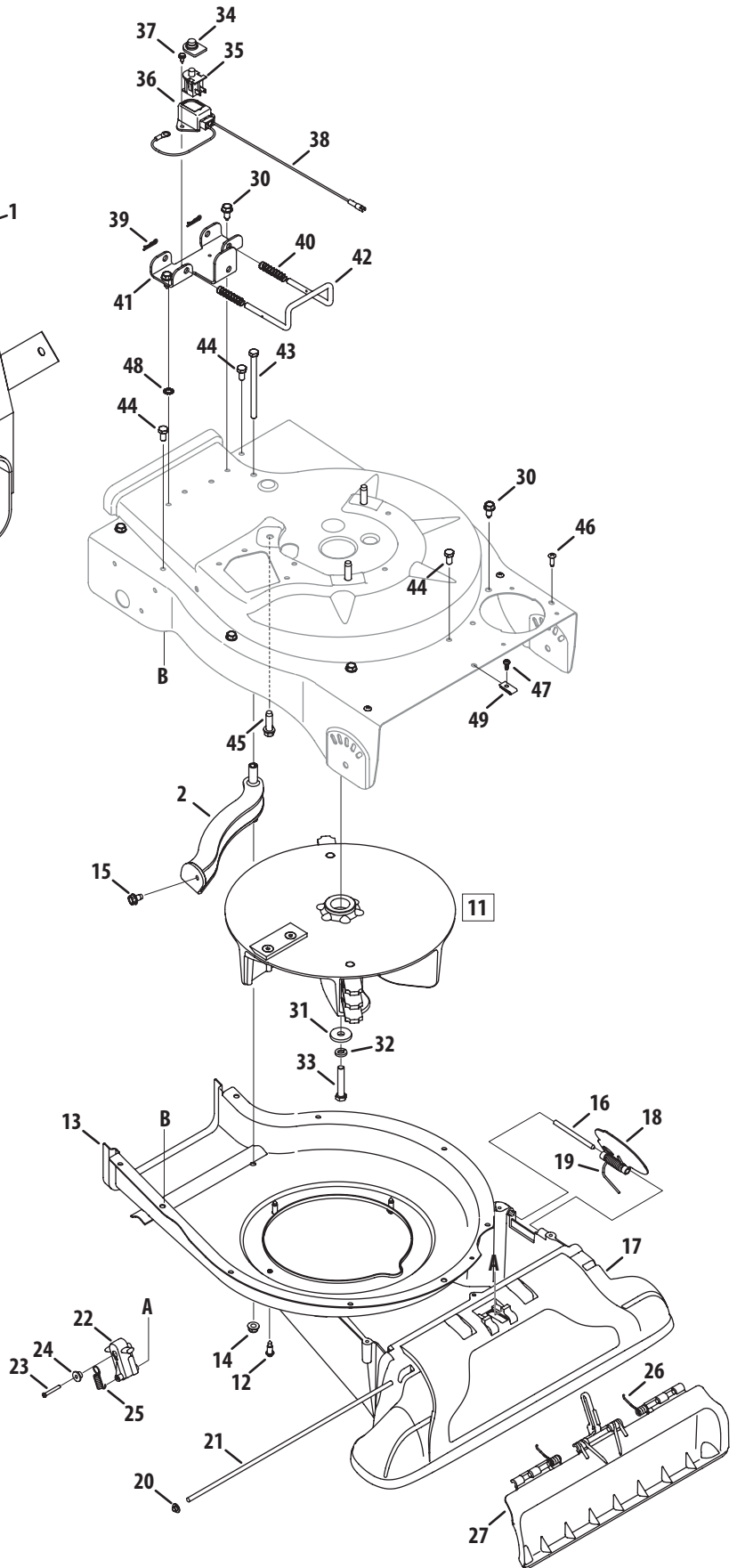
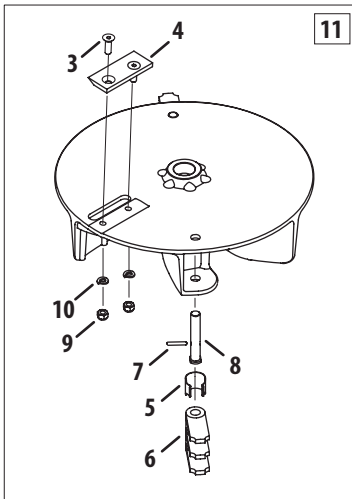
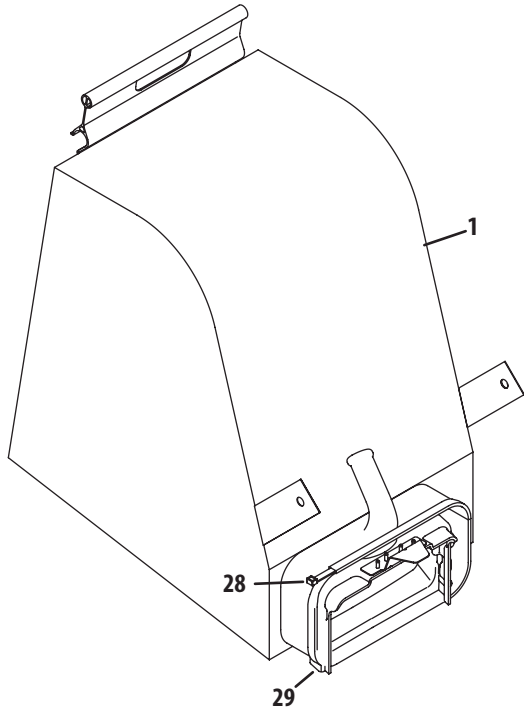


Ref No.	Part Number	Description
1	936-0314	Thrust Washer.375 ID x.70 OD
2	749-04172	Upper Handle
3	720-0279	Knob
4	710-05073	Screw, 1/4-20 x .500
5	710-1205	Eye Bolt
6	781-1056	Upper Handle Bracket
7	710-0726	Hex Cap Screw 5/16-12 x.750
8	720-04072A	Star Knob
9	710-1174	Carriage Bolt
10	731-04911	Nozzle Handle Clip
11	749-04165	Lower Handle
12	711-1293	Studs
13	710-0703	Carriage Screw 1/4-20 x.75
14	712-0397A	Wing Nut 1/4-20
15	912-0291	Hex Lock Nut, 1/4-20
16	681-0195	Hose Base Adapter Assembly (Incl. Ref.# 17-19)
17	916-0104	E Ring.500 Dia
18	932-3035	Compression Spring
19	711-1571	Clevis Pin
20	936-3020	Flat Washer.271 ID x.630 OD
21	781-04223	Upper Flail Housing
22	681-04088	Chipper Chute Assembly
23	723-04008A	Chute Strap
24	911-04069	Pin
25	748-0457	Spacer
26	731-2478	Hose Nozzle
27	710-3288	Hex Cap Screw 1/4-20 x 2.625
28	723-0295	Adjustment Clamp

Ref No.	Part Number	Description
29	749-1270A	Nozzle Handle
30	764-0648A	Vacuum Hose
31	720-0369	Handle Plug
32	731-2292	Hose Adapter, Briggs
	731-06469	Hose Adapter, 173CC
33	912-0442	Cap Lock Nut, 1/4-20
34	710-1611B	TT Screw, 5/16-18 x .750
35	781-04082	Front Wheel Support Brace
36	781-04081	Rear Wheel Support Brace
37	981-0156A	Handle Bracket Ass'y RH
	981-0155A	Handle Brkt Ass'y LH
38	914-0104	Cotter Pin
39	736-0105	Bell Washer.401 ID x.870 OD
40	712-04217	Flange Lock Nut, 3/8-16
41	738-04523	Shoulder Screw 3/8-16
42	741-04242	Height Adjustment Bearing
43	681-04195	Pivot Arm Assembly
44	720-0426	Height Adjustment Knob
45	732-1026	Spring Lever
46	987-02051	Height Lever Assembly (Incl. Ref.# 44-45)
47	736-0741	Bell Washer.760 ID x.25 OD
48	738-1172	Shoulder Screw,.750 x.500
49	634-05036	Wheel, 8 x 2
50	712-04065	Flange Lock Nut, 3/8-16
51	710-04666	Screw, 1/4-20 x .75
52	731-06445	Hose Extension
53	731-07198	Hubcap, 8"
54	747-04985†	Tube Holder

† If Equipped

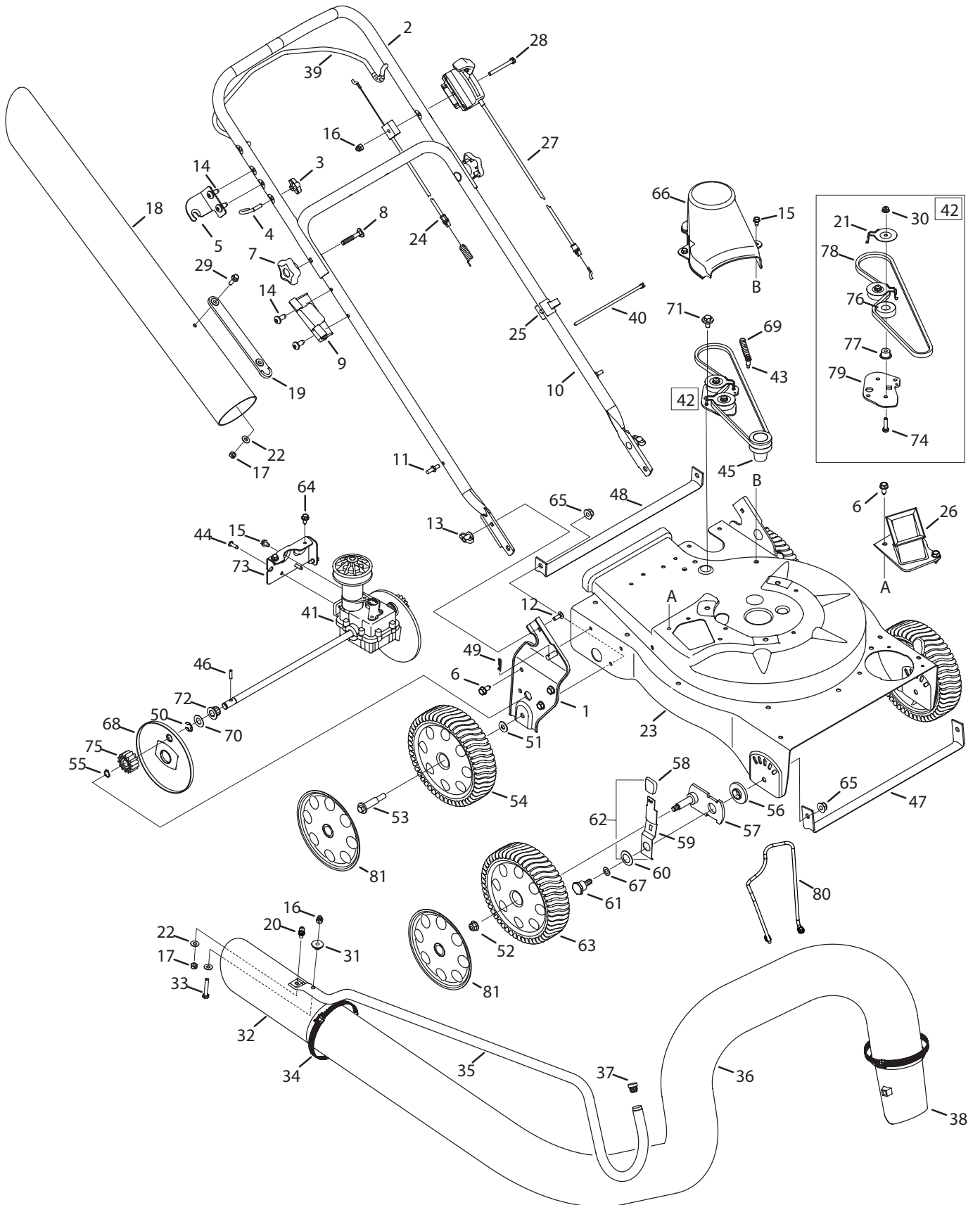
CSV Model 060



Ref No.	Part Number	Description
1	964-04031	Bag Assembly, TB
2	681-0154	Screen Assembly
3	710-1054	Hex Screw 5/16-24 x 1.0
4	981-0490	Chipper Blade
5	781-0735	Pin Clip
6	719-0329	Flail
7	715-0166	Spiral Pin
8	711-1401	Clevis Pin
9	912-0411	Lock Nut, 5/16-24
10	936-0119	Lock Washer, 5/16
11	981-0152	Impeller Assembly (Incl. Ref.# 3 – 10)
12	710-1650	Shoulder Screw, #12-24 x.30 x.46
13	781-0721B	Lower Flail Housing
14	712-04063	Flange Lock Nut 5/16-18
15	710-0607	Screw, 5/16-18 x.500
16	747-04297	Hinge Pin
17	981-04031	Nozzle, TB
	981-04031	Nozzle, Blk
18	781-1064	Base Adapter Door
19	732-1156	Torsion Spring
20	926-0106	Cap Speed Nut 1/4
21	711-1551	Pivot Rod
22	731-04967	Nozzle Door Lever, Red
23	710-1256	Hex Screw, #8-18 x 1.25
24	750-1294	Shoulder Spacer

Ref No.	Part Number	Description
25	732-3118	Extension Spring
26	732-1151A	Nozzle Door Torsion Spring
27	731-2294A	Nozzle Door
28	664-04029	Bag, TB
29	631-0083	Chute Assembly
30	710-0726	Hex Index Screw, 5/16-12 x.750
31	736-0247	Flat Washer.375 ID x 1.25 OD
32	936-0217	Lock Washer 3/8
33	710-0818	Hex Cap Screw 3/8-24 x 2.0
34	925-1700	Switch Cover
35	925-3166	Safety Switch
36	931-1613	Safety Switch Cover
37	910-0224	Hex Washer Screw #10-16 x.50
38	629-0920A	Wire Harness
39	914-0104	Cotter Pin
40	732-0962	Compression Spring
41	781-0778A	Mounting Bracket
42	747-1153	Lock Rod
43	710-3195	Hex Cap Screw 5/16-18 x 4.5
44	710-3025	Hex Cap Screw 5/16-18 x.625
45	710-0654A	Screw 3/8-16 x 1.00
46	710-1220	Screw, #12-16 x.750
47	710-0351	Screw #10 - 16 x.500
48	736-0607	External L-Washer 5/16
49	726-0139	Speed Nut
—	723-0400	Safety Glasses (Not Shown)

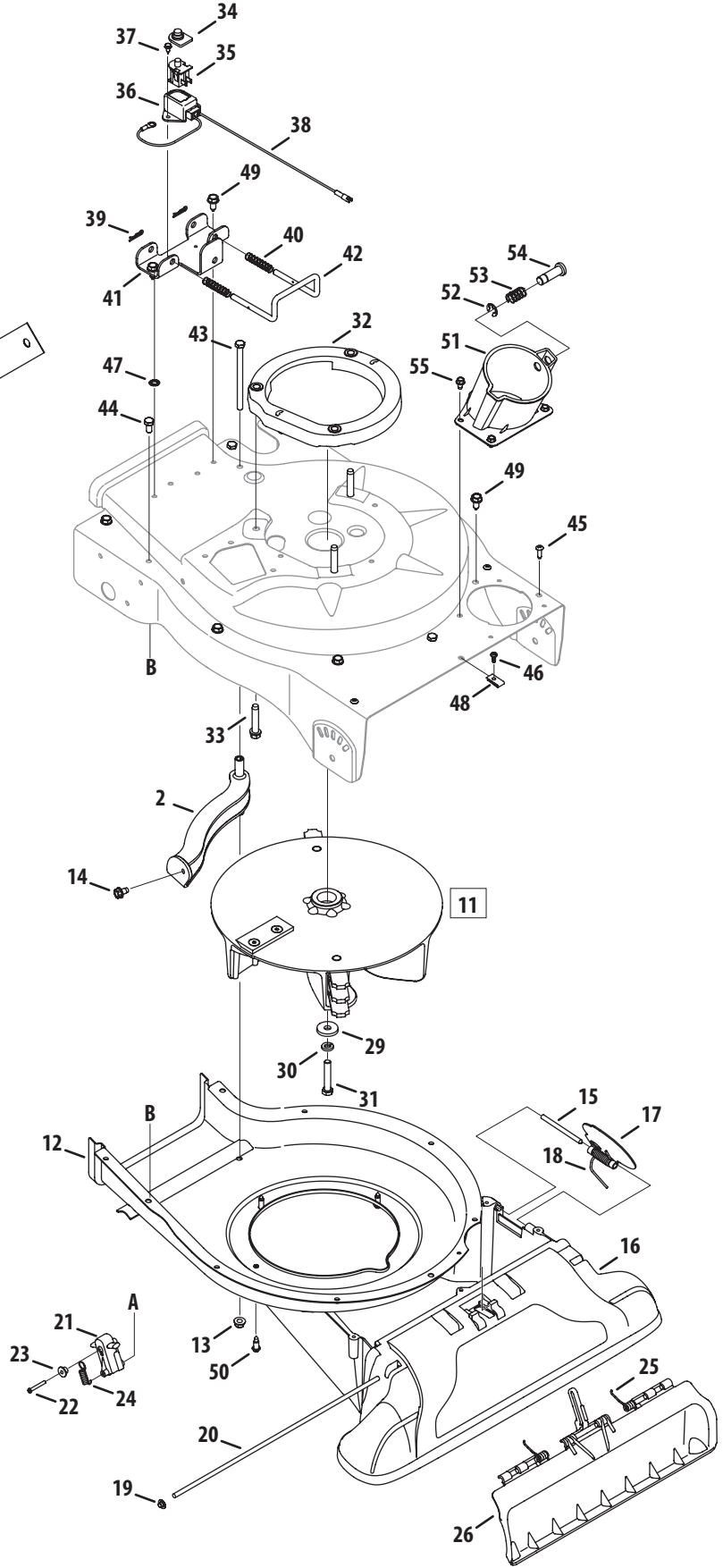
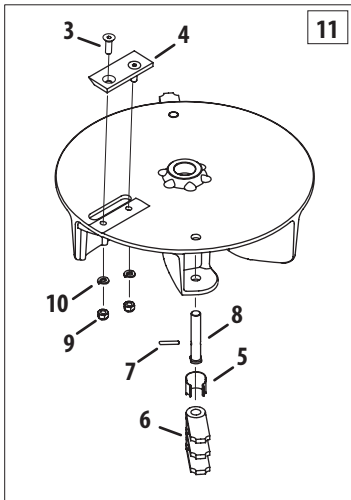
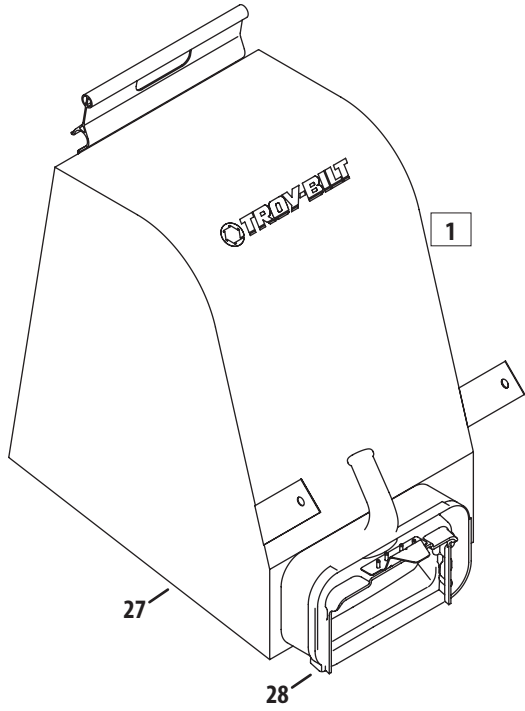
CSV Model 070



Ref No.	Part Number	Description
1	981-0156A	Handle Bracket Ass'y RH
	981-0155A	Handle Brkt Ass'y LH (Not Shown)
2	749-04163	Upper Handle
3	720-0279	Knob
4	710-1205	Eye Bolt
5	781-1056	Upper Handle Bracket
6	710-0726	Hex Cap Screw, 5/16-12 x.750
7	720-04072A	Handle Knob, 5/16-18
8	710-1174	Carriage Bolt
9	731-04911	Nozzle Handle Clip
10	749-04165	Lower Handle
11	711-1293	Studs
12	710-0703	Carriage Screw, 1/4-20 x.75
13	712-0397A	Wing Nut, 1/4-20
14	710-1611B	TT Screw, 5/16-18 x .750
15	710-05073	Screw, 1/4-20 x .500
16	912-0442	Cap Lock Nut, 1/4-20
17	912-0291	Hex Lock Nut, 1/4-20
18	731-06445	Hose Extension
19	723-04008A	Chute Strap
20	911-04069	Pin
21	782-7598	Belt Keeper
22	936-3020	Flat Washer.271 ID x.630 OD
23	781-04266	Upper Flail Housing
24	746-04156	Drive Control Cable
25	731-1820	Cable Guide
26	681-04088	Chipper Chute Assembly
27	746-04155	Speed Control Cable
28	710-1122	Hex Screw, 1/4-20 x 2.50
29	710-04666	Screw, 1/4-20 x .75
30	712-04064	Flange Lock Nut, 1/4-20
31	748-0457	Spacer
32	731-2478	Hose Nozzle
33	710-3288	Hex Cap Screw, 1/4-20 x 2.625
34	723-0295	Adjustment Clamp
35	749-1270A	Nozzle Handle
36	764-0648A	Vacuum Hose
37	720-0369	Handle Plug
38	731-06469	Hose Adapter
39	747-04305A	Drive Control
40	725-0157	Cable Tie
41	918-04460	Transmission Assembly

Ref No.	Part Number	Description
42	N/A	Idler Assembly (Incl. Ref.# 76-79)
43	710-1650	Shoulder Screw, #12-24 x .30 x .46
44	710-1220	Screw, #12-16 x .750
45	911-04245	Impeller Hub
46	915-0221	Dowel Pin
47	781-04082	Front Wheel Support Brace
48	781-04081	Rear Wheel Support Brace
49	914-0104	Cotter Pin
50	916-0104	E-Ring
51.	936-3004	Flat Washer, .406 x .875 x .105
52	712-04217	Flange Lock Nut, 3/8-16
53	738-04523	Shoulder Screw, 3/8-16
54	634-05039	Wheel, 8 x 2
55	716-0865	Snap Ring
56	741-04242	Height Adjustment Bearing
57	681-04195	Pivot Arm Assembly
58	720-0426	Height Adjustment Knob
59	732-1026	Spring Lever
60	736-0741	Bell Washer, .760 ID x.25 OD
61	738-1172	Shoulder Screw, .750 x.500
62	987-02051	Height Lever Assembly (Incl. Ref.# 58-59)
63	634-04592	Wheel 8 x 2
64	710-1652	Screw, 1/4-20 x .625
65	712-04065	Flange Lock Nut, 3/8-16
66	731-04879	Belt Cover
67	936-0314	Thrust Washer, .375 ID x.70 OD
68	731-04643	Wheel Cover
69	732-04217	Extension Spring, .375 x 2.95
70	936-0369	Flat Wash, .508ID x1.00OD x.020
71	738-0930	Shoulder Screw, .560 x.165
72	741-04108	Drive Axle Bushing
73	781-04078	Transmission Mounting Bracket
74	710-0597	Screw, 1/4-20 x 1.00
75	717-1762	Spur Gear - RH
	717-1761	Spur Gear - LH (Not Shown)
76.	941-0600	Ball Bearing
77	750-1050	Flange Spacer,.260 x.659 x.517
78	954-0369	Belt, 3/8 x 32.5
79	781-04077	Idler Bracket
80	747-04985	Tube Holder
81	731-07198	Hubcap, 8"

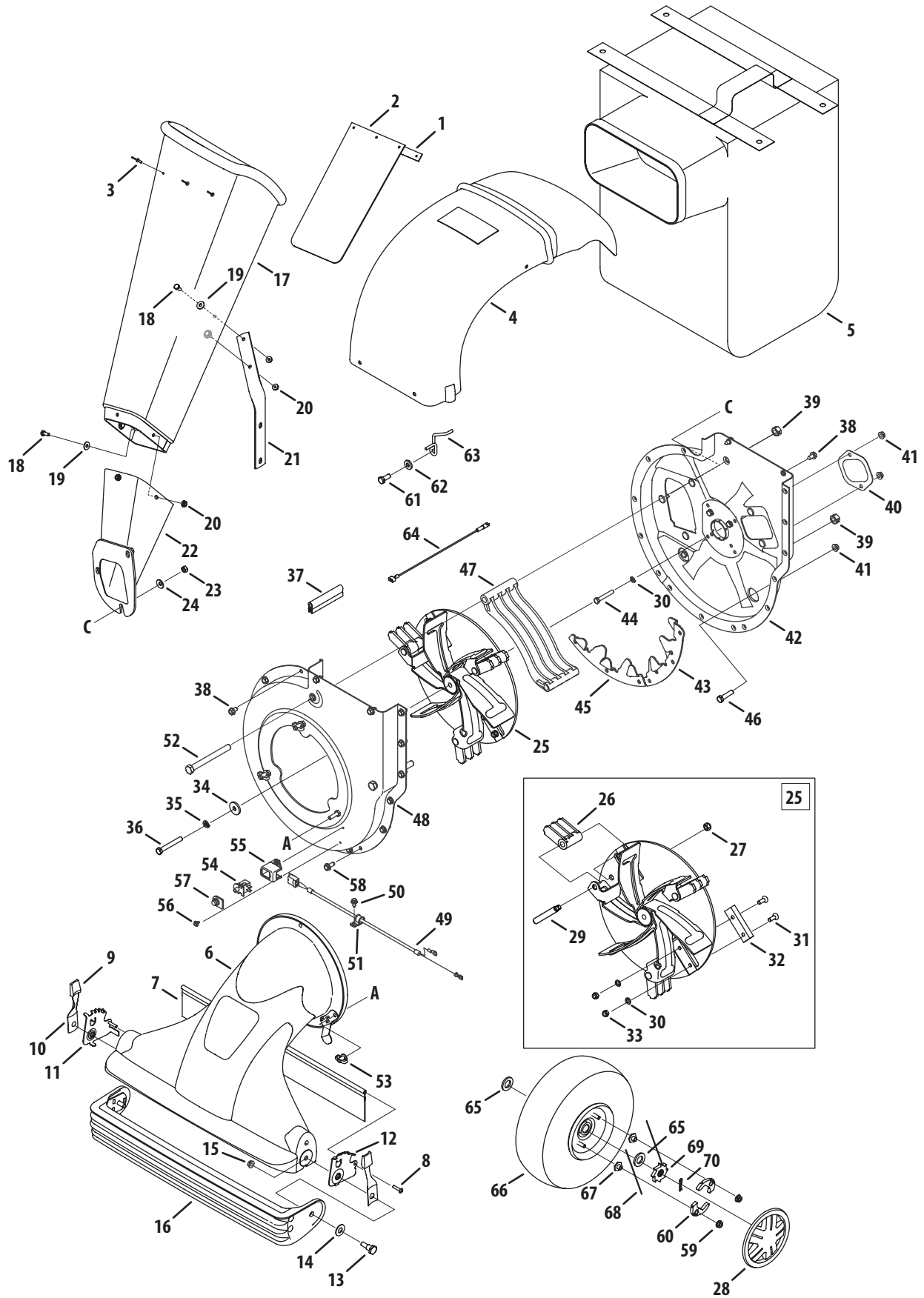
CSV Model 070



Ref No.	Part Number	Description
1	964-04031	Bag Assembly
2	681-0154	Screen Assembly
3	710-1054	Hex Screw, 5/16-24 x 1.0
4	981-0490	Chipper Blade
5	781-0735	Pin Clip
6	719-0329	Flail
7	715-0166	Spiral Pin
8	711-1401	Clevis Pin
9	912-0411	Lock Nut, 5/16-24
10	936-0119	Lock Washer, 5/16
11	981-0152	Impeller Assembly (Incl. Ref.# 3 – 10)
12	781-0721B	Lower Flail Housing
13	712-04063	Flange Lock Nut, 5/16-18
14	710-0607	Screw, 5/16-18 x.500
15	747-04297	Hinge Pin
16	981-04031	Nozzle
17	781-1064	Base Adapter Door
18	732-1156	Torsion Spring
19	926-0106	Cap Speed Nut, 1/4
20	711-1551	Pivot Rod
21	731-04967	Nozzle Door Lever
22	710-1256	Hex Screw, #8-18 x 1.25
23	750-1294	Shoulder Spacer
24	732-3118	Extension Spring
25	732-1151A	Nozzle Door Torsion Spring
26	731-2294A	Nozzle Door
27	664-04029	Bag
28	631-0083	Chute Assembly

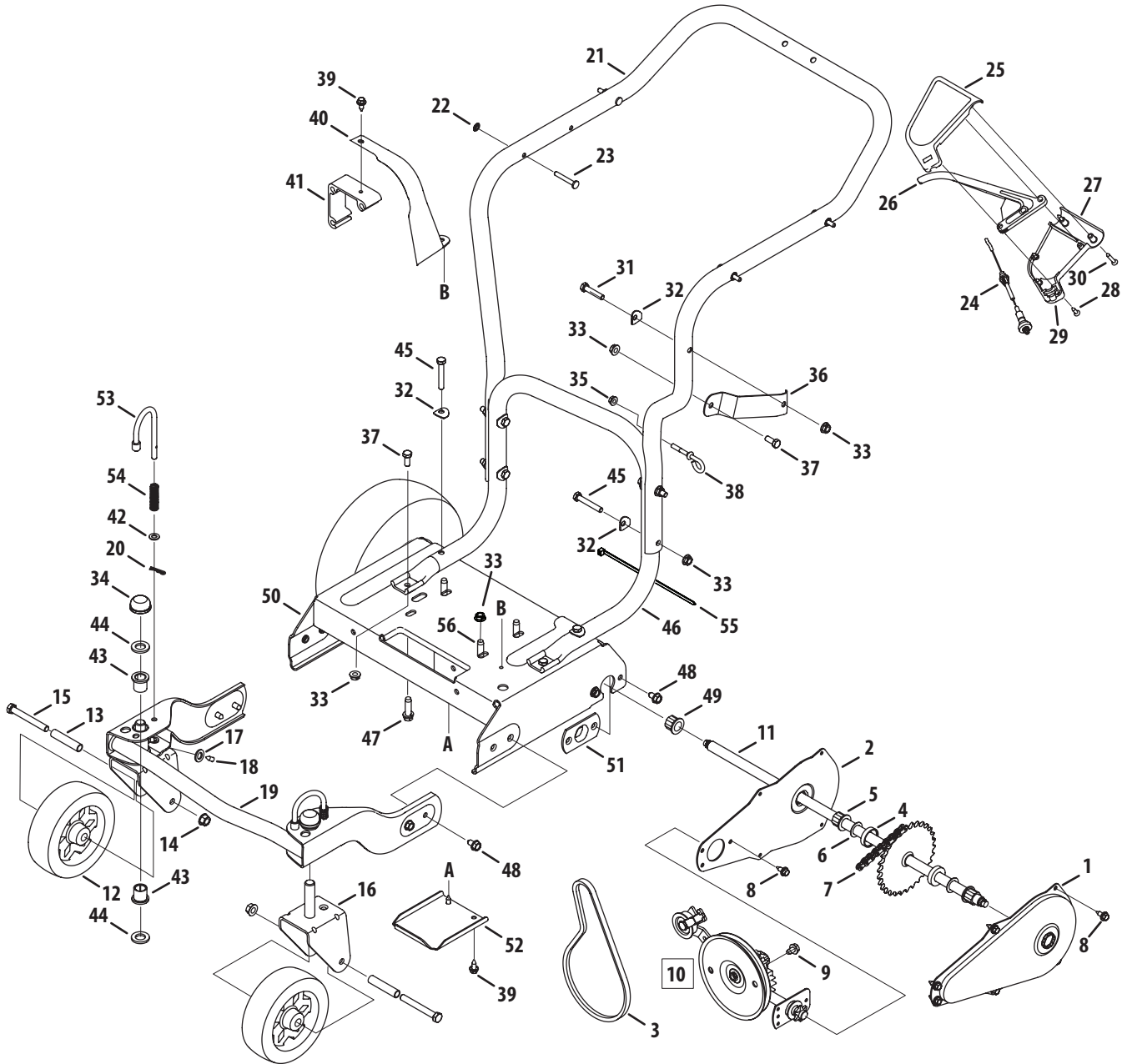
Ref No.	Part Number	Description
29	736-0247	Flat Washer, .375 ID x 1.25 OD
30	936-0217	Lock Washer, 3/8
31	710-1273	Hex Cap Screw, 3/8-24 x 2.75
32	631-04118	Engine Spacer Assembly
33	710-1008	Screw, 3/8-16 x 1.875
34	925-1700	Switch Cover
35	925-3166	Safety Switch
36	931-1613	Safety Switch Cover
37	910-0224	Hex Washer Screw, #10-16 x.50
38	629-0920A	Wire Harness
39	914-0104	Cotter Pin
40	732-0962	Compression Spring
41	781-0778A	Mounting Bracket
42	747-1153	Lock Rod
43	710-3195	Hex Cap Screw, 5/16-18 x 4.5
44	710-3025	Hex Cap Screw, 5/16-18 x.625
45	710-1220	Screw, #12-16 x.750
46	710-0351	Screw, #10 - 16 x.500
47	736-0607	External L-Washer, 5/16
48	726-0139	Speed Nut
49	710-0726	Hex Index Screw, 5/16-12 x.750
50	710-1650	Shldr. Screw, #12-24 x .30 x .46
51	681-0195	Hose Base Adapter Assembly (Incl. Ref.# 52-54)
52	916-0104	E Ring, .500 Dia
53	932-3035	Compression Spring
54	711-1571	Clevis Pin
55	710-05073	Screw, 1/4-20 x .500
—	723-0400	Safety Glasses (Not Shown)

CSV Model 202



Ref No.	Part Number	Description
1.	781-0633	Chute Flap Strip
2.	735-0249A	Chute Flap
3.	728-0175	Pop Rivet
4.	731-1838A	Discharge Chute
5.	964-04001	Bag
6.	631-0086	Nozzle Assembly
7.	731-1831	Nozzle Flap
8.	710-0969	Screw
9.	720-0426	Height Adjustment Knob
10.	732-0754	Spring Lever
11.	781-0702	Index Bracket RH
12.	781-0703	Index Bracket LH
13.	938-0913	Shoulder Screw
14.	736-3084	Flat Washer, .510 x 1.12 x.060
15.	912-0431	Hex Flange Lock Nut, 3/8-16
16.	631-0049	Door Assembly
17.	731-1574A	Chipper Chute
18.	710-0751	Hex Cap Screw, 1/4-20 x.620
19.	736-0173	Flat Washer, .28 ID x.74 OD
20.	912-3027	Hex Lock Nut, 1/4-20
21.	781-0780	Support Bracket
22.	681-0068A	Chipper Chute Assembly
23.	912-3010	Hex Nut, 5/16-18
24.	736-0242	Bell Washer, .340ID x.872OD
25.	981-04091	Impeller Assembly: Complete
26.	719-04308	Flail Blade
27.	712-0266A	Jam Lock Nut, 3/8-16
28.	734-1984	Hub Cap
29.	738-04286A	Shoulder Pin, .5 x 2.625
30.	936-0119	Lock Washer, 5/16
31.	710-1054	Cap Screw 5/16-24 x 1.0
32.	942-0544B	Chipper Blade
33.	912-0411	Hex Lock Nut 5/16-24
34.	736-0247	Flat Washer, .406 x 1/1/4
35.	936-0217	Lock Washer, 3/8
36.	710-1273	Hex Cap Screw, 3/8-24 x 2.75

Ref No.	Part Number	Description
37.	723-0438	Rubber Seal
38.	710-0604A	Hex Washer Screw, 5/16-18
39.	912-0384	Hex Lock Nut, 1/2-13
40.	781-0627	Chipper Blade Cover
41.	712-3004A	Hex Flange Lock Nut 5/16-18
42.	681-0098	Housing Assembly: Inner Flail
43.	781-0599	Upper Shredder Blade
44.	710-0772	Hex Cap Screw, 5/16-18 x 2
45.	781-0653	Flail Housing Blade
46.	710-3008	Hex Cap Screw, 5/16-18 x.75
47.	719-0326	Discharge Screen
48.	681-0060	Housing Assembly: Outer Flail
49.	929-0241A	Wire Harness
50.	710-0896	TT Screw, 1/4-14 x 0.625"
51.	726-0272	Clamp
52.	710-0382	Hex Cap Screw, 1/2-13 x 5.0
53.	712-0421	Knob, 5/16-18
54.	925-3166	Switch
55.	931-1613	Safety Switch Mounting Cover
56.	710-1268	Hex Washer Screw
57.	925-1700	Switch Cover
58.	710-1260A	LD Screw, 5/16-18 x 0.75"
59.	912-3027	Hex Flanged Lock Nut, 1/4-20
60.	948-0188B	Pawl, .345 ID -LH
	748-0381	Pawl, .345 ID - RH
61.	710-0157	Hex Cap Screw, 5/16-24 x.75
62.	936-3008	Flat Washer, .344 x.75 x.12
63.	747-0929A	Belt Keeper
64.	629-0923	Adapter Harness Assembly
65.	736-0366	Flat Washer, 5/8 ID x 1.0 OD
66.	634-0244	Wheel Complete 10 x 4 x 4
67.	912-0456	Hex Nut, 1/4-20
68.	10622BP	Plastic Spring Ratchet
69.	748-0405	Wheel Ratchet 1.62 OD x.5 serr
70.	914-0104	Cotter Pin

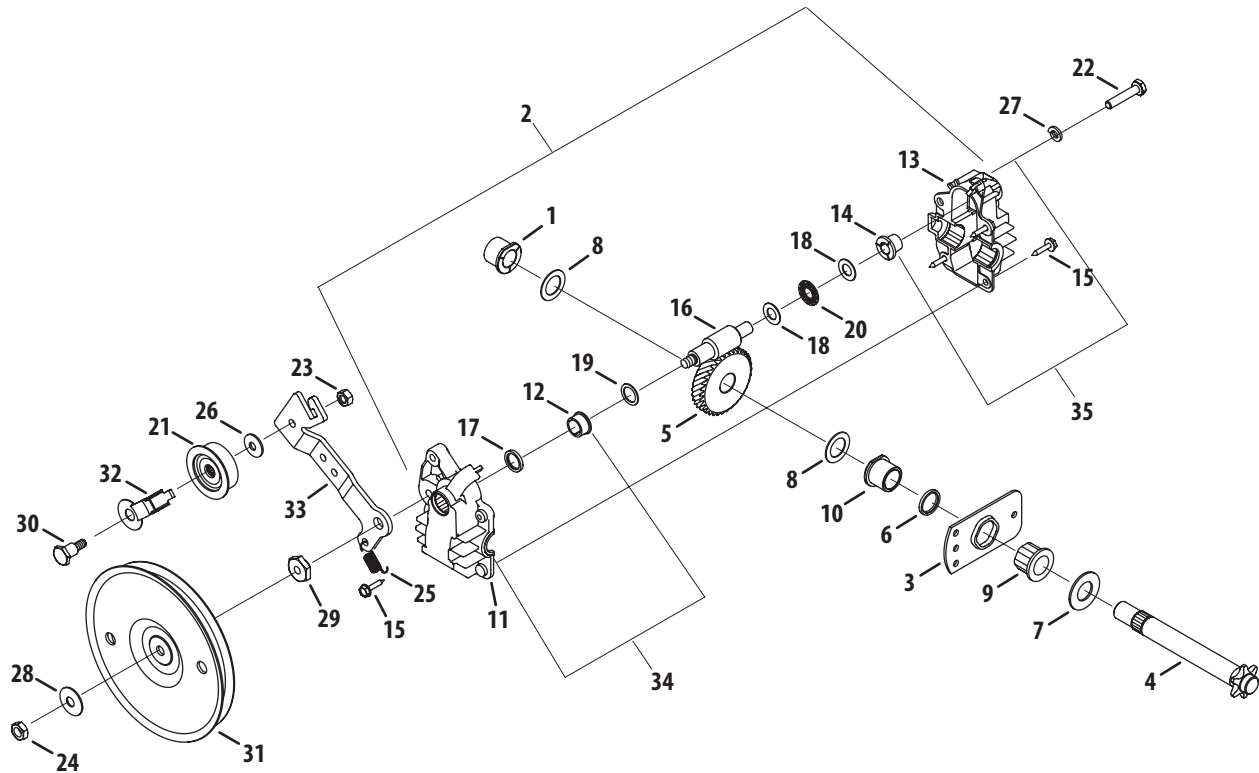


Ref No.	Part Number	Description
1.	781-0677	Chain Case - LH
2.	781-0676	Chain Case - RH
3.	954-0457	V-Belt
4.	748-0313	Spacer
5.	941-0413	Hex Flange Bearing
6.	936-0336	Flat Washer
7.	913-0422	Chain
8.	710-0896	TT Screw, 1/4-14 x 0.625"
9.	710-0603	Hex Washer Screw, 5/16
10.	618-0256†	Chipper Shredder Trans. Ass'y.
11.	611-0063	Axle Assembly
12.	734-1804A	Wheel, 6.0 x 2.0
13.	750-1042	Spacer
14.	912-0431	Flange Lock Nut, 3/8-16
15.	710-0521	Hex Cap Screw, 3/8-16 x 3.0
16.	681-0088	Bracket Assembly
17.	736-0931	Flat Washer, .203 ID x.403 OD
18.	937-3000	Grease Fitting, 3/16
19.	681-0087	Bracket Assembly
20.	914-0104	Cotter Pin
21.	749-1095	Upper Handle
22.	1539-019	Push Nut
23.	911-0737	Stud Pin, .250 x 1.75
24.	946-0714	Clutch Cable - 56"
25.	753-0832	Upper Clutch Cover
26.	731-0620A	Drive Lever
27.	753-0832	Lower Clutch Cover
28.	710-0841	Screw, #10-12 x.750
29.	753-0833	Mounting Cable Cap

Ref No.	Part Number	Description
30.	710-1331	Screw, #10-16 x 1.25
31.	710-0805	Hex Cap Screw, 5/16-18 x 1.50
32.	936-0451	Shldr. Washer, .320 ID x.93 OD
33.	712-3004A	Hex Flange Lock Nut, 5/16-18
34.	726-0214	Push Cap
35.	712-0380	Hex Nut, 1/4-28
36.	781-0647	Discharge Chute Bracket
37.	710-3008	Hex Cap Screw, 5/16-18 x.75
38.	747-0815	Eye Bolt
39.	710-0896	Hex Washer Screw, 1/4-14 x.625
40.	731-1646	Belt Cover
41.	719-0359	Engine Mounting Adapter
42.	936-0264	Flat Washer, .330 ID x.630 OD
43.	741-0487C	Flange Bearing, .632 ID
44.	736-0366	Flat Washer, 5/8 ID x 1.0 OD
45.	710-3103	Hex Cap Screw, 5/16-18 x 1.75
46.	749-1094	Lower Push Handle
47.	710-0502A	Screw, 3/8-16 x 1.25
48.	710-0604A	Hex Wash. Screw, 5/16-18 x.625
49.	941-0413	Hex Flange Bearing, .631 x.720
50.	681-0097A	Frame Assembly
51.	781-0700	Axle Bracket
52.	781-0697	Transmission Cover
53.	747-0924	Lock Pin
54.	932-0306A	Compression Spring
55.	725-0157	Cable Tie
56.	710-1090	Hex Cap Screw, 5/16-18 x 1.25
—	723-0400	Safety Glasses (Not Shown)

† See Next Page for transmission breakout

CSV Model 202

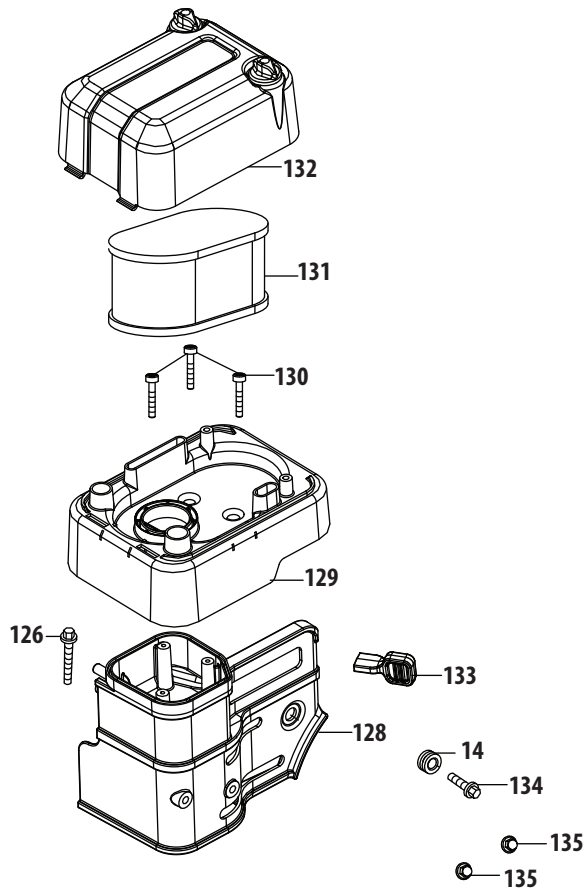


Ref No.	Part Number	Description
1	941-0415	Flange Bearing,.566 ID
2	918-0255	Shredder Transmission Assembly
3	16500A-0637	Hex Bearing Cup
4	911-1118	Output Shaft 6T Sprocket
5	717-1432	Helical 34T Gear
6	721-0213	Oil Seal
7	736-0187	Flat Washer, .64 ID x 1.24 OD
8	936-0336	Flat Washer, 5/8 x 1.0
9	941-0413	Hex Flange Bearing, .631 ID
10	741-0414	Flange Bearing, .629 ID
11	719-0325	Lower Housing
12	748-0373	Flange Bearing, .503 ID
13	719-0324A	Upper Housing
14	748-0208A	Flange Bearing, .378 ID
15	710-0589	Hex Washer Screw, #10-16 x.75
16	717-1433	Pinion Shaft 10T
17	921-0329	Oil Seal
18	936-0314	Thrust Washer, .382 ID x.684 OD
19	936-0520	Flat Washer, .504 ID x.70 OD

Ref No.	Part Number	Description
20	741-0479	Thrust Bearing, .375 ID x.812 OD
21	956-0008	Idler Pulley Assembly W/ Bearing
	956-0558	Idler Pulley Only
	941-0556	Needle Bearing Only
22	710-1062	Hex Cap Screw, 1/4-20 x 1.25
23	912-0138	Hex Nut, 1/4-28
24	912-3045	Hex Jam Nut, 5/16-24 LH Thd
25	932-0357A	Extension Spring, 1.12 Lg
26	736-0270	Bell Washer, .265 ID x.75 OD
27	936-0329	Lock Washer, 1/4
28	936-0425	Bell Washer, .325 ID x.930 OD
29	738-0440	Shoulder Spacer, .375 ID x.165 OD
30	938-0826	Shoulder Bolt, 1/4-28 x.375
31	756-0656	Flat Pulley 5.06 Dia
32	782-7569	Belt Keeper
33	682-0054	Idler Bracket
34	618-0132	Lower Housing Assembly
35	618-0133A	Upper Housing Assembly

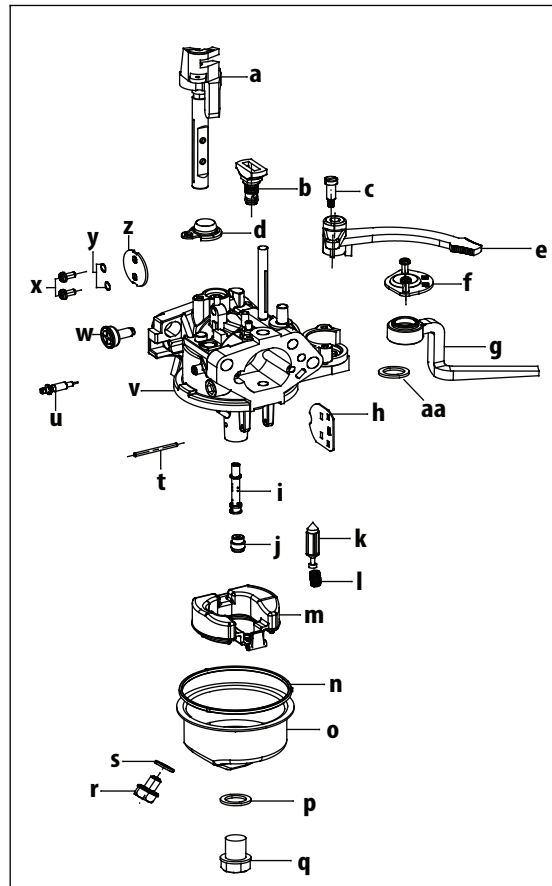
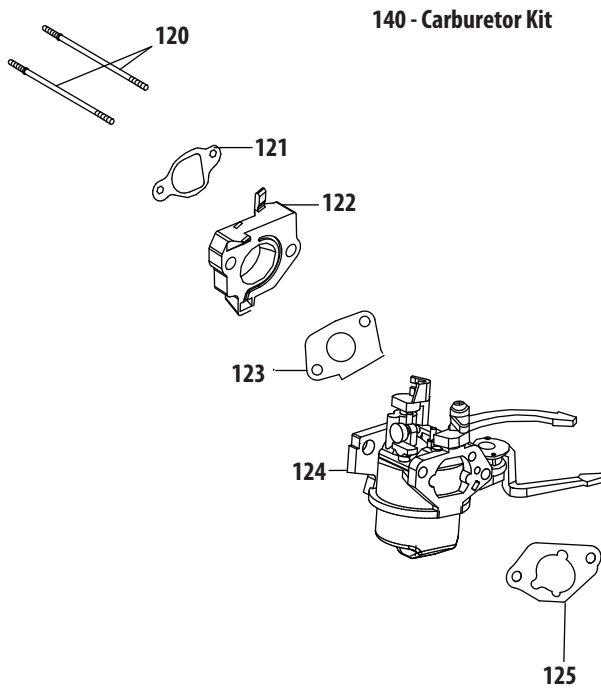
Page Left Blank Intentionally

Engine Model 178-LU Air Cleaner



Ref.	Part Number	Description
14	736-04452	Isolator Bushing
126	710-04969	Bolt M6x30
128	951-14392	Air Filter Base
129	951-12408	Middle Air Filterbox
130	710-05352	Countersunk Screw
131	951-12260	Air Filter Cover
132	951-12047	Air Filter Cover Assembly
133	951-12409	Throttle Control Knob
134	710-04968	Bolt M6x16
135	712-04213	Acorn Nut

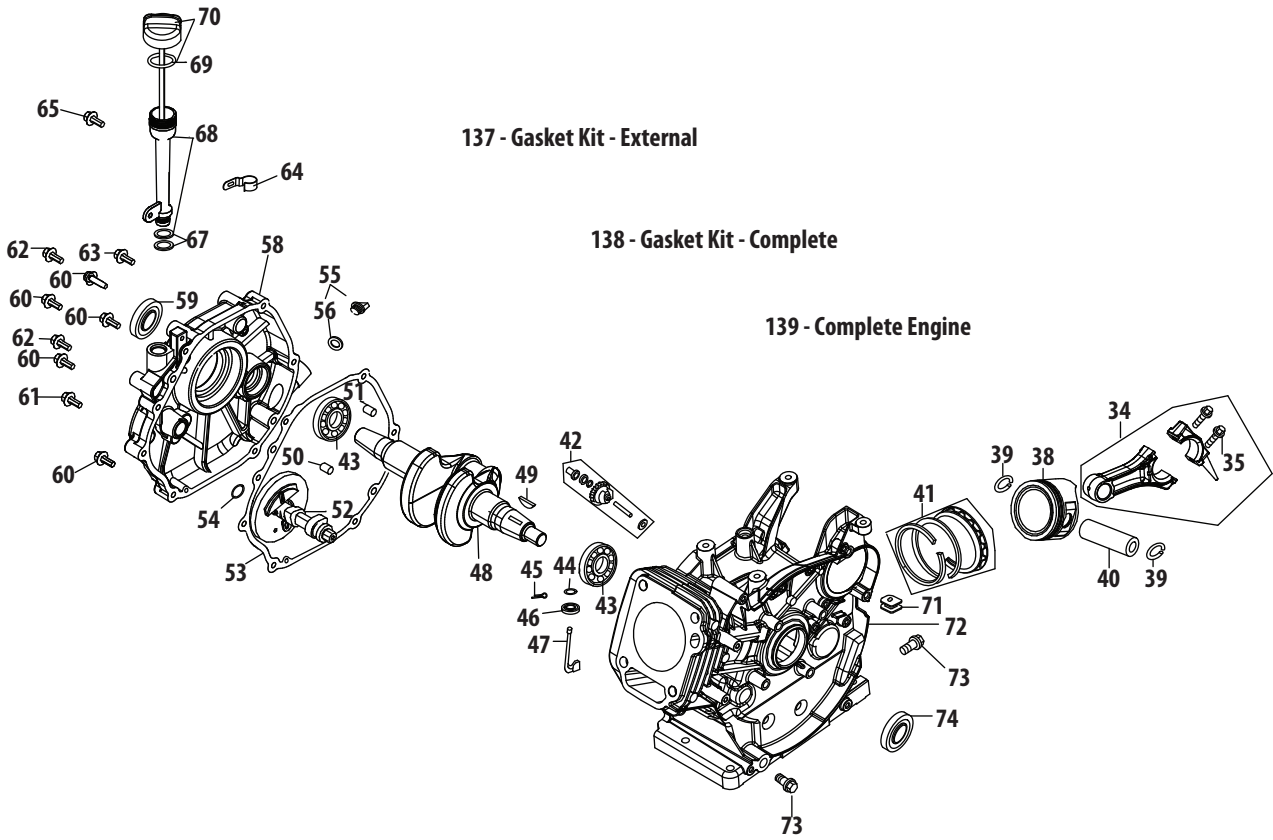
178-LU Carburetor Assembly



Ref.	Part Number	Description
120	710-05351	Stud
121	951-11225	Carburetor Insulator Gasket
122	951-11222	Carburetor Insulator
123	951-11223	Carburetor Gasket
124	951-12791	Carburetor Assembly
125	951-12406	Carburetor Gasket Plate
140	951-12762A	Carburetor Kit (Incl.b,l,j,k,l,m,n,p,s,t)
a	n/a	Throttle Shaft
b	n/a	Idle Jet Assembly
c	710-05459	Choke Control Screw
d	n/a	Lock Plate
e	951-12422	Choke Knob
f	951-12792	Fuel Shutoff Cover
g	951-12423	Fuel Shutoff Lever
h	n/a	Choke Plate
i	n/a	Emulsion Tube

Ref.	Part Number	Description
j	n/a	Main Jet
k	n/a	Needle Valve
l	n/a	Needle Valve Spring
m	n/a	Float
n	951-11970	Fuel Bowl Gasket
o	n/a	Fuel Bowl Assembly
p	951-11348	Fuel Bowl Gasket
q	710-04945	Fuel Bowl Mounting Bolt
r	710-04938	Fuel Drain Plug
s	951-11349	Fuel Drain Plug Gasket
t	n/a	Float Pin
u	n/a	Mixture Screw
v	n/a	Carburetor Body
w	710-05469	Idle Speed Adjusting Screw
x	n/a	Screw M3x5
y	736-04638	Lock Washer
z	n/a	Throttle Plate

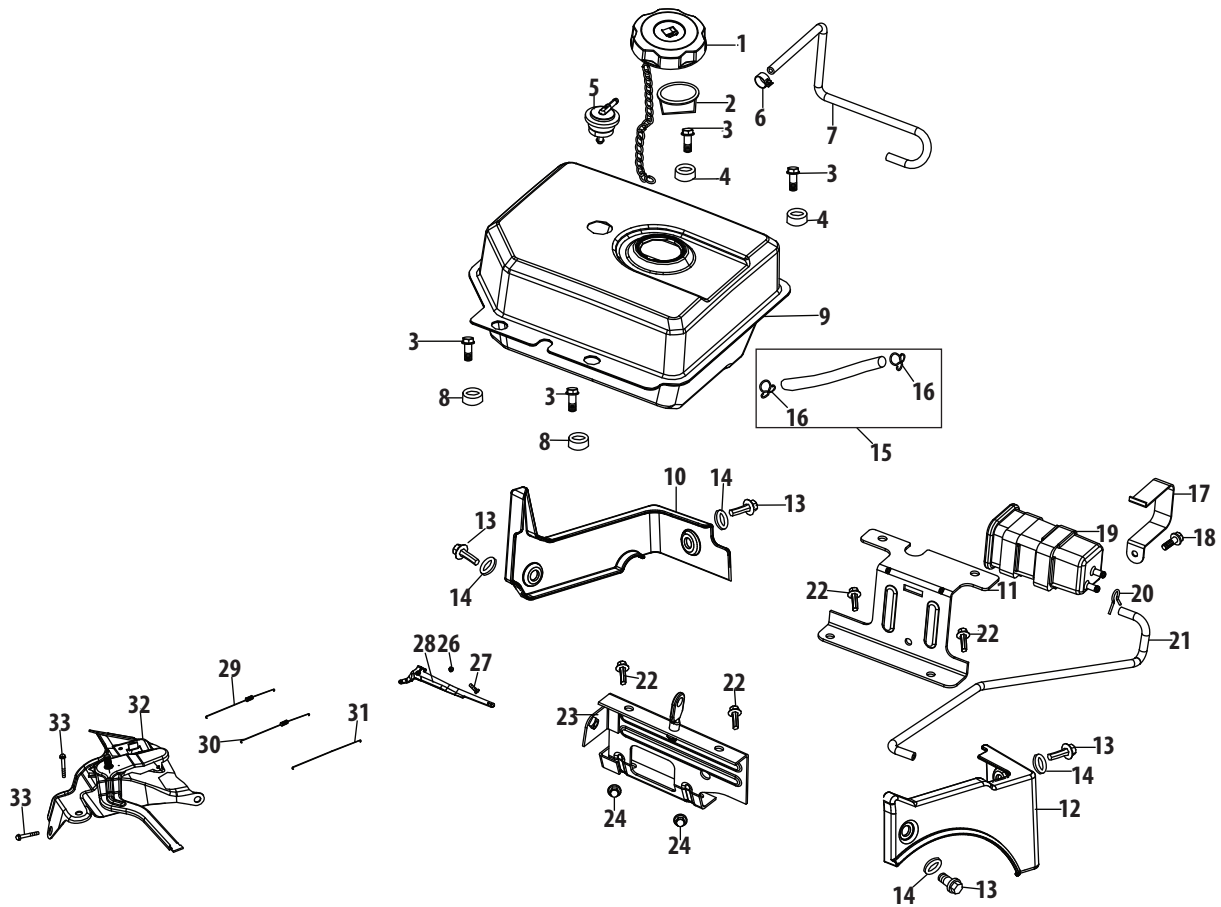
178-LU Crankshaft & Crankcase



178-LU Crankshaft & Crankcase

Ref.	Part Number	Description	Ref.	Part Number	Description
34	951-12066	Connecting Rod Assembly	59	951-12396	Oil Seal, 30x46x8
35	710-05319	Connecting Rod Bolt	60	710-04971	Bolt M8x38
38	951-12043	Piston	61	710-04972	Bolt M8x45
39	951-11632	Piston Pin Snap Ring	62	710-05052	Bolt M8x35
40	951-12044	Piston Pin	63	710-04968	Bolt M6x16
41	951-12387	Piston Ring Set	64	951-11320	Dipstick Clamp
42	751-12068	Governor Gear/Shaft Assembly	65	710-05349	Bolt M6x8
43	951-12069	Radial Ball Bearing	67	951-11381	O-Ring
44	736-04453	Washer 8x20x0.8	68	951-12073	Oil Fill Tube Assembly
45	714-04077	Cotter Pin	69	951-11904	O-Ring, Dipstick
46	951-11958	Governor Seal	70	951-11971A	Disptick Assembly
47	951-12071	Governor Arm Shaft	71	951-12398	Wire Clamp Rubber
48	951-05050	Crankshaft Kit (Incl.43,48,59,74)	72	951-05051	Crankcase Service Kit (Incl.43,46,72,74)
49	951-10307	Woodruff Key		951-05045	Shortblock Assembly (Incl.34,38-48,50-62,71,74,90, 93,94,97,102,115,121-123)
50	715-04102	Dowel Pin 9x12	73	951-12514	Oil Drain Plug
51	715-04092	Dowel Pin 7x14	74	951-12400	Oil Seal 30x46x8
52	951-12072	Camshaft Assy.	137	951-05048	Gasket Kit - External (Incl.97,115,121-123)
53	951-11374	Crankcase Cover Gasket	138	951-05047	Gasket Kit - Complete (Incl.46,53,59,74,94,97, 115,121-123)
54	736-04545	Washer 16x24x0.5	139	952Z178-LU	Complete Engine
55	951-11283	Oil Fill Plug Assembly			
56	951-11577	O-Ring 15.8x2.5			
58	951-12395	Crankcase Cover			
	951-05049	Crankcase Cover Kit (Incl.43,53,54,58-62)			

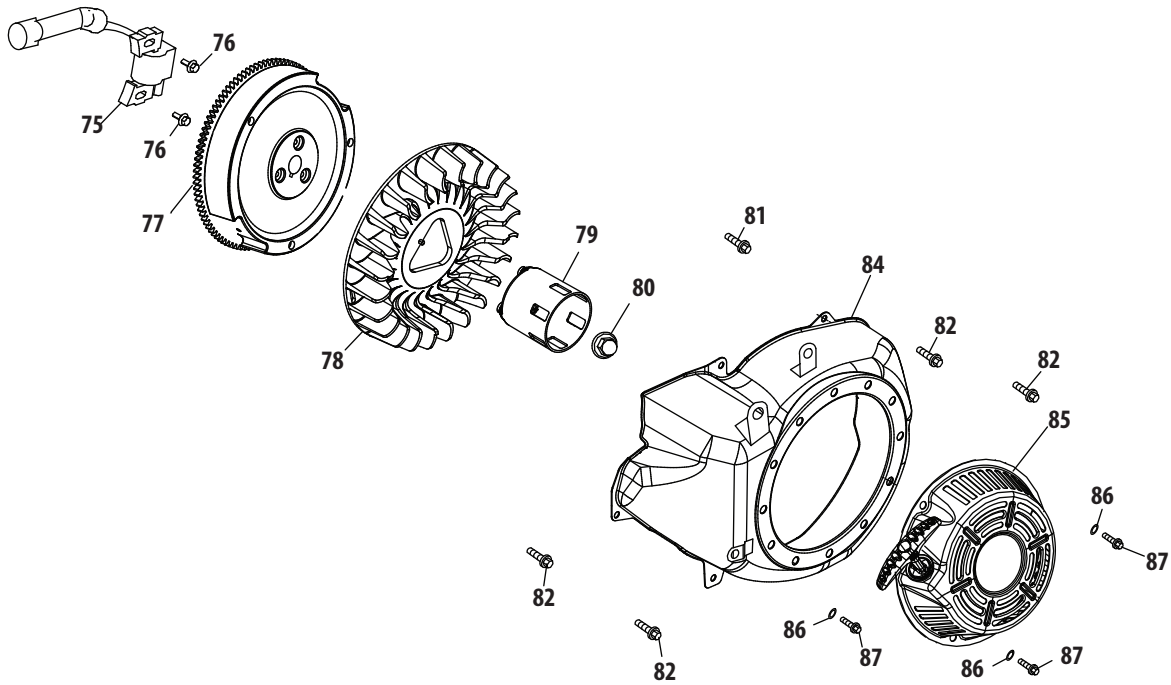
178-LU Fuel Tank & Mounting



Ref.	Part Number	Description
1	951-12535	Fuel Cap Assembly
1	951-14076	Tether
2	951-14265	Fuel Level Indicator
3	710-04970	Bolt M8×20
4	750-05312	Gas Tank Isolator
5	951-14376	Rollover Valve Assembly
6	951-14377	Fuel Hose Clamp
7	951-14380	Primer Hose
8	750-05313	Gas Tank Isolator
9	951-14381	Fuel Tank Assembly
10	951-11184	Governor Cover
11	951-14383	Rear Mounting Bracket Assy.
12	951-14384	Decorate Cover
13	710-04968	Bolt M6×16
14	736-04452	Isolator Bushing
15	951-11200	Fuel Line Kit
16	951-11700	Fuel Hose Clamp

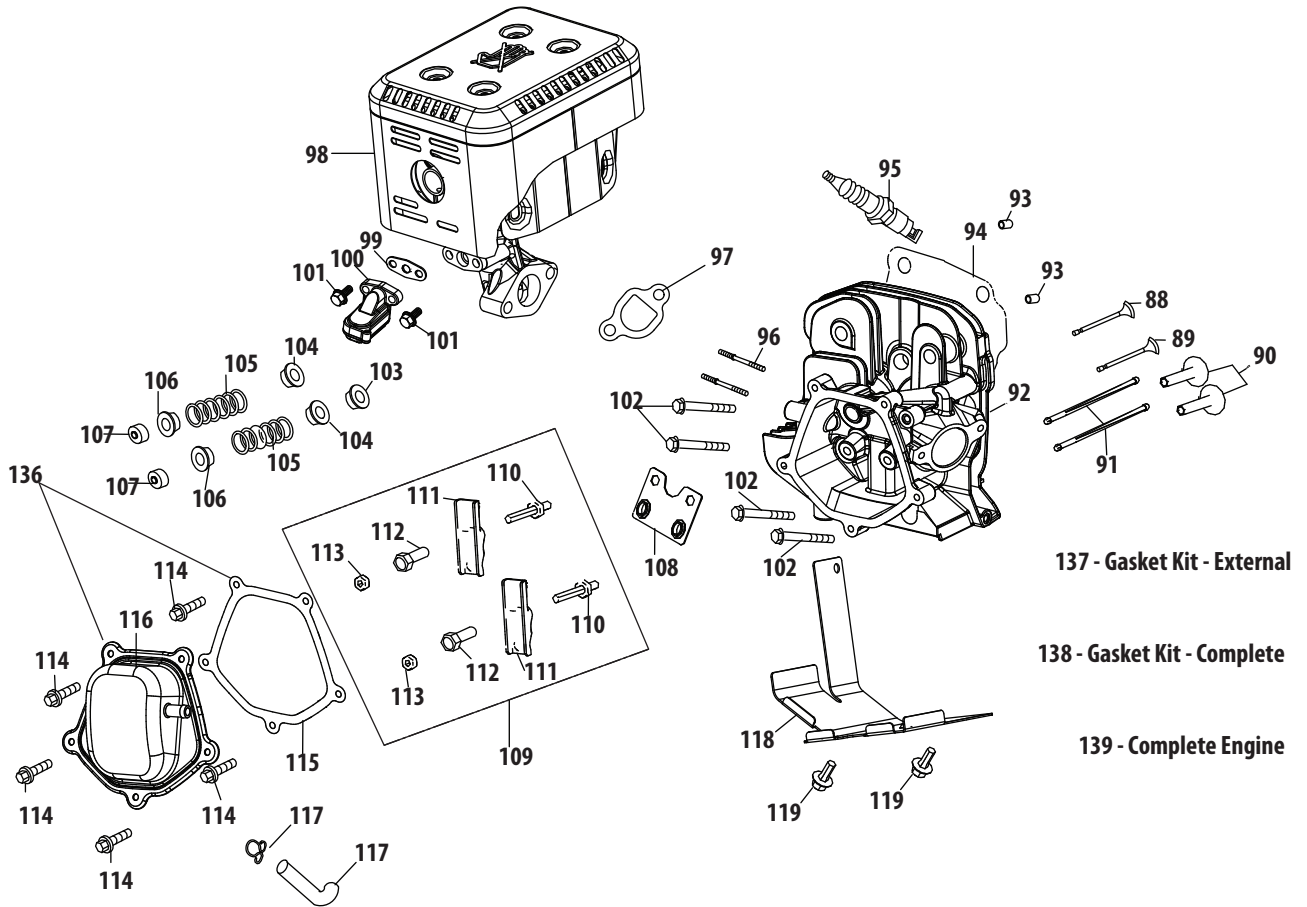
Ref.	Part Number	Description
17	951-14385	Carbon Canister Bracket
18	710-04915	Bolt M6×12
19	951-14386	Carbon Canister
20	951-14387	Breather Hose Clamp
21	951-14388	Primer Hose
22	710-04921	Bolt M8×14
23	951-14389	Gas Tank Support Bracket
24	712-04219	Nut M8
26	712-04212	Nut M6
27	710-04908	Governor Arm Bolt
28	951-14200	Governor Arm
29	951-11202	Governor Spring
30	951-11203	Throttle Linkage Spring
31	951-11204	Throttle Linkage
32	951-12386	Component Bracket
33	710-04916	Bolt, M6×14

178-LU Flywheel & Blower Housing



Ref.	Part Number	Description
75	951-12375	Ignition Coil Assembly
76	710-05350	Ignition Coil Bolt
77	951-12401	Flywheel
78	951-11217	Fan, Cooling
79	951-11218	Pulley, Starter
80	712-04220	Nut, Special, M16x1.5
81	710-04968	Bolt M6x16
82	710-04915	Bolt M6x12
84	951-12402	Starter Housing
85	951-12376	Recoil Starter
86	736-04455	Gasket 6
87	710-04974	Bolt M6x10

178-LU Cylinder Head

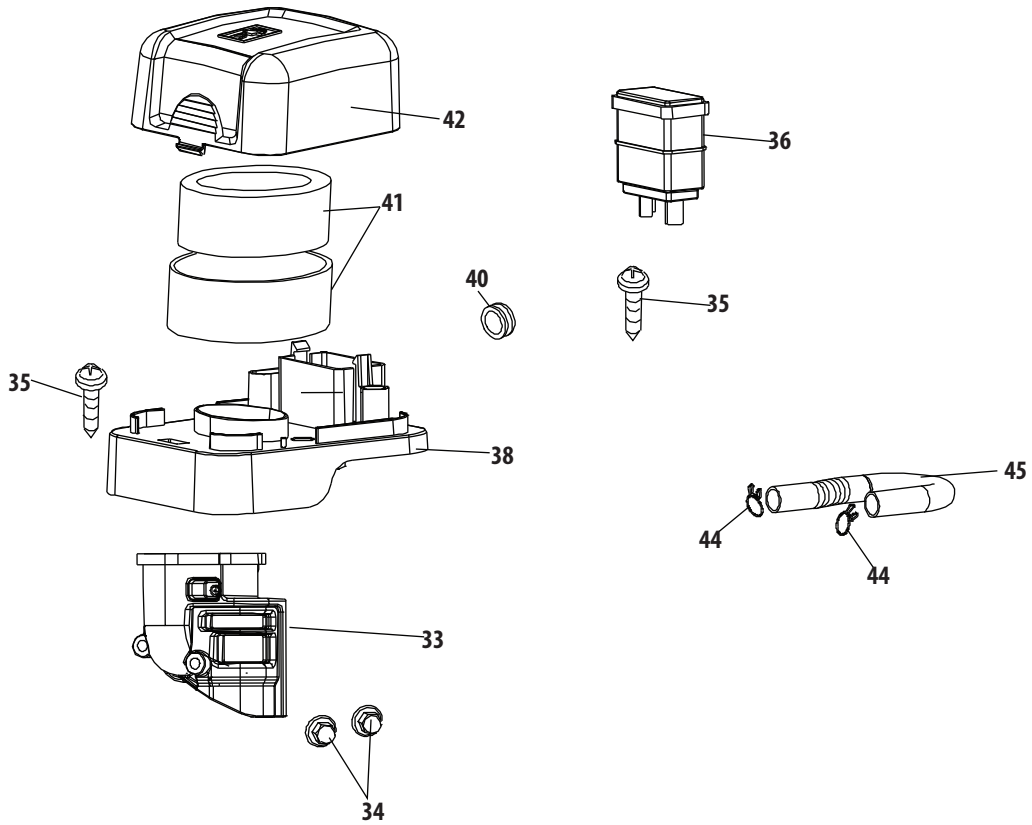


178-LU Cylinder Head

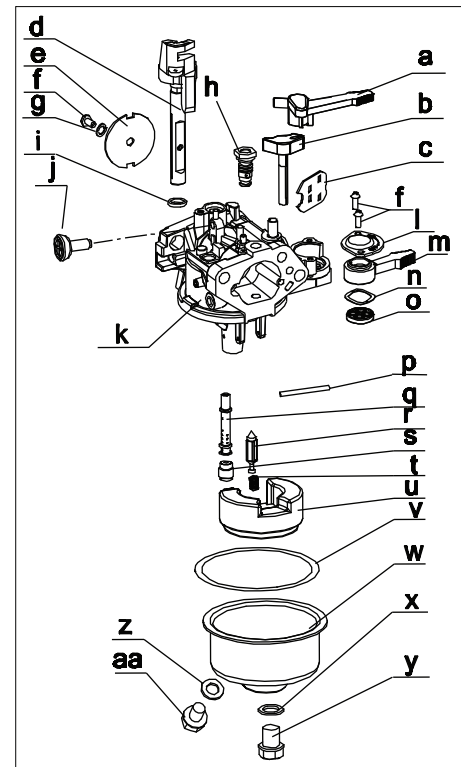
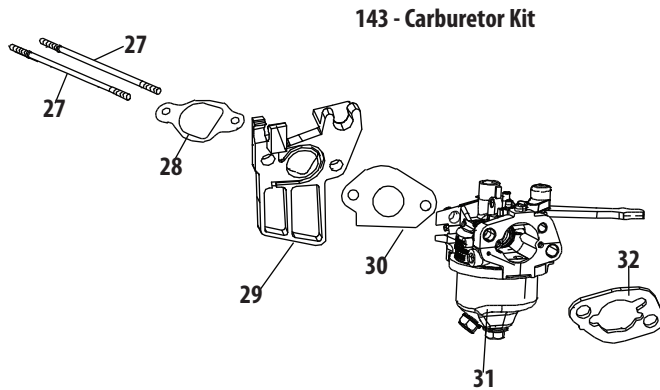
Ref.	Part Number	Description
88	951-11198	Valve Kit
89	951-11198	Valve Kit
90	951-11962	Tappet
91	951-11199	Push Rod Kit
92	951-11226	Cylinder Head Kit (Incl.94,102,103,116)
	951-05046	Cylinder Head Assembly (Incl.88,89,92,94,96,97,102-108, 110-113,115,120-123)
93	715-04097	Dowel Pin 12×20
94	951-12076	Gasket, Cylinder Head
95	951-10292	Spark Plug/F6Rtc
96	710-04964	Stud M8×48.5
96	951-11207	Muffler Stud Assembly
97	951-11212	Exhaust Pipe Gasket
98	951-12404	Muffler Assembly
99	951-12743	Secondary Air Gasket
100	951-05043	Reed Valve Assembly
101	710-06094	Bolt M6×16
102	710-04965	Bolt M10×1.25×80
103	951-11964	Intake Valve Seal
104	951-12077	Valve Spring Retainer
105	951-12078	Valve Spring

Ref.	Part Number	Description
106	951-12080	Retainer, Ex.Valve Spring
107	951-12081	Adjuster, Exh Valve
108	951-11965	Push Rod Guide
109	951-11981	Rocker Arm Assembly
110	710-04962	Bolt, Pivot
111	951-11966	Rocker Arm
112	751-11123	Adjusting Nut ,Valve
113	751-11124	Nut, Pivot Locking
114	710-05054	Valve Cover Bolt
115	951-11967	Valve Cover Gasket
116	951-11220	Valve Cover
117	731-07059	Breather Hose
117	726-04101	Hose Clamp
118	951-12405	Air Shield
119	710-04915	Bolt M6×12
136	951-11333	Valve Cover Kit
137	951-05048	Gasket Kit - External (Incl.97,115,121-123)
138	951-05047	Gasket Kit - Complete (Incl.46,53,59,74,94,97, 115,121-123)
139	952Z178-LU	Complete Engine

Engine Model 170-DU Air Cleaner



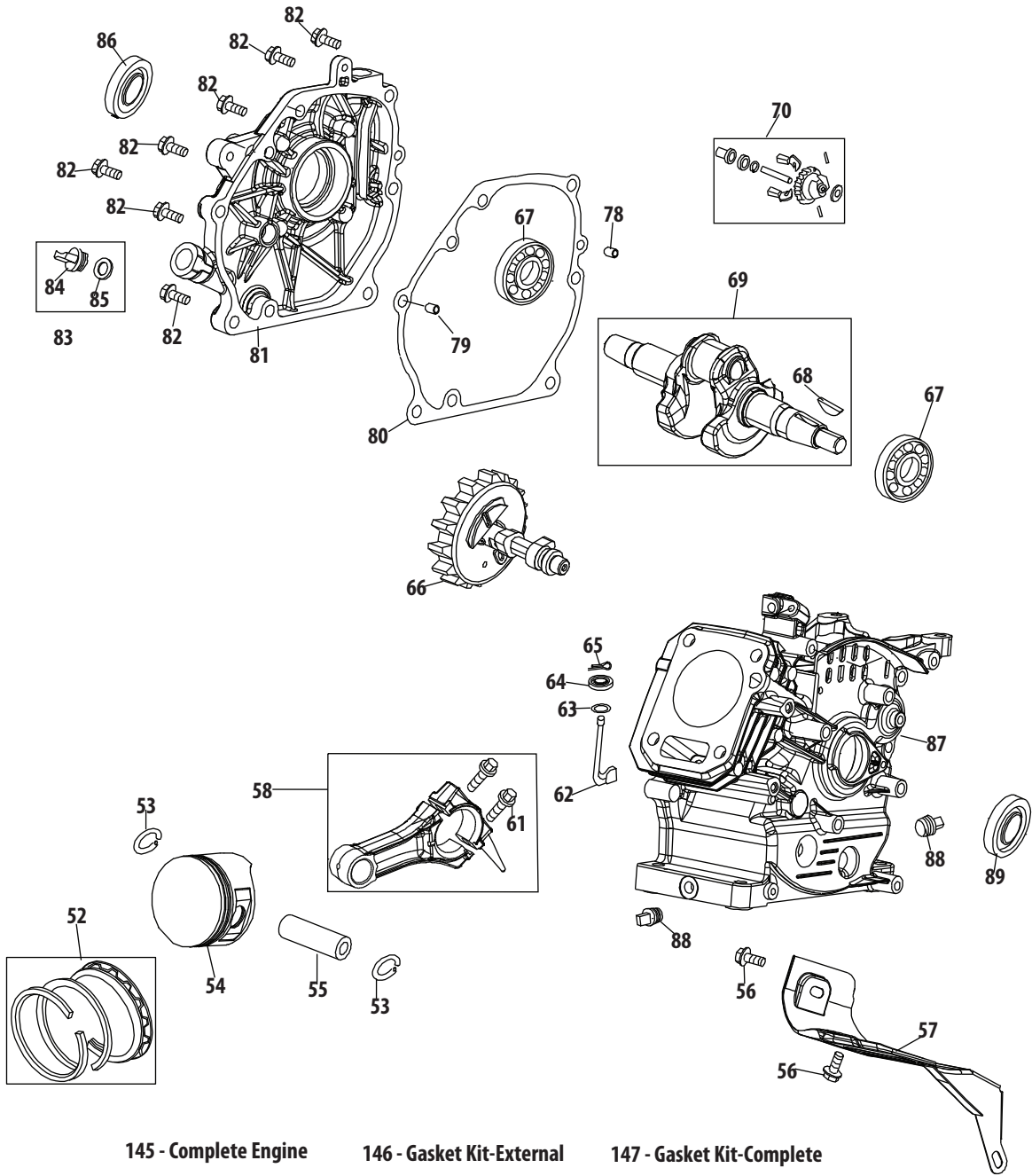
Ref.	Part Number	Description
33	951-14315	Air Cleaner Housing
34	712-04213	Nut
35	951-14068	Self-Tapping Bolt4.2x16
36	951-14069	Carbon Canister
38	951-14070	Silencer Plate
40	750-05314	Damper Gasket
41	951-14262	Air Filter Element
42	951-12136	Air Cleaner Cover
44	951-14073	Clamp
45	951-14074	Exhaust Piping



Ref.	Part Number	Description
27	710-05101	Stud M6×110
28	951-11567	Carburetor Insulator Gasket
29	951-11568	Carburetor Insulator
30	951-11569A	Carburetor Gasket
31	651-05106	Carburetor Assembly
32	951-11571	Carburetor Gasket Plate
143	651-05107	Carburetor Kit Dn-170 (Incl.h,p,q,r,s,t,u,v,x,z)
a	n/a	Control Lever,Choke
b	n/a	Choke Shaft
c	n/a	Choke Plate
d	n/a	Throttle Shaft
e	n/a	Throttle Plate
f	710-05469	Screw M3×6
g	736-04638	Lock Washer
h	793-00118	Idle Jet Assembly
i	n/a	Gasket, Throttle Plate
j	n/a	Idle Speed Adjusting Screw

Ref.	Part Number	Description
k	n/a	Carburetor Body
l	n/a	Fuel Shutoff Cover
m	n/a	Fuel Shutoff Lever
n	n/a	Fuel Shutoff Washer
o	n/a	Fuel Shutoff Valve
p	n/a	Float Pin
q	n/a	Emulsion Tube
r	n/a	Needle Valve
s	n/a	Main Jet
t	n/a	Needle Valve Spring
u	n/a	Float
v	951-11589	Fuel Bowl Gasket
w	n/a	Fuel Bowl
x	951-11348	Fuel Bowl Gasket
y	710-04945	Fuel Bowl Mounting Bolt
z	951-11349	Fuel Drain Plug Gasket
aa	710-04938	Fuel Drain Plug

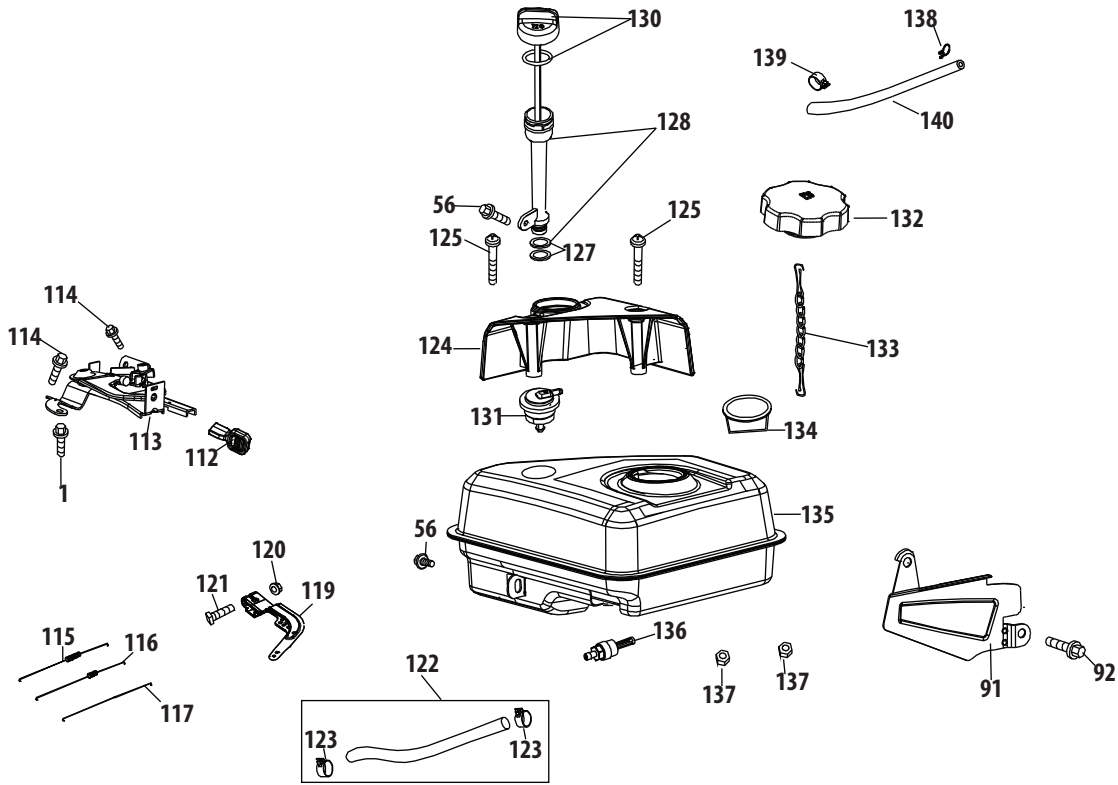
170-DU Crankcase



170-DU Crankcase

Ref.	Part Number	Description	Ref.	Part Number	Description
52	951-14317	Piston Ring Kit	81	951-12125	Crankcase Cover
53	951-11632	Piston Pin Snap Ring		951-14142	Crankcase Cover Kit (Incl.67,80-86)
54	951-14318	Piston	82	710-04932	Bolt M8×32
55	951-11633	Piston Pin	83	951-11283	Oil Fill Plug Assembly
56	710-04915	Bolt M6×12	84	951-12394	Oil Plug
57	951-11113	Air Shield	85	951-11577	O-Ring 15.8×2.5
58	951-11573	Connecting Rod Assembly	86	951-11578	Oil Seal, 25× 41.25×6
61	710-05116	Connecting Rod Bolt	87	951-14144	Crankcase Service Kit (Incl.64,67,86-89)
62	951-14053	Governor Arm		951-05031	Shortblock Assembly (Incl.5,25,28-30,46,48,49, 52-55,58-89)
63	736-04461	Washer 5.2×1.9	88	751-12514A	Oil Drain Plug
64	951-11902	Governor Seal	89	951-12126	Oil Seal 25× 41.25×6
65	714-04078	Cotter Pin	145	952Z170-DU	Complete Engine
66	751-11575A	Camshaft Assembly	146	951-12026A	Gasket Kit-External (Incl.5,25,28-30,32)
67	951-11369	Radial Ball Bearing, 6205	147	951-05032	Gasket Kit-Complete (Incl.5,25,28-30,32,46,63, 64,80,86,89)
68	951-10307	Woodruff Key			
69	951-12160	Crankshaft Assembly			
	951-14143	Crankshaft Service Kit (Incl.67-69,86,89)			
70	717-05152	Governor Gear/Shaft Assembly			
78	715-04092	Dowel Pin 7×14			
79	715-04096	Dowel Pin 9×14			
80	951-11371	Crankcase Cover Gasket			

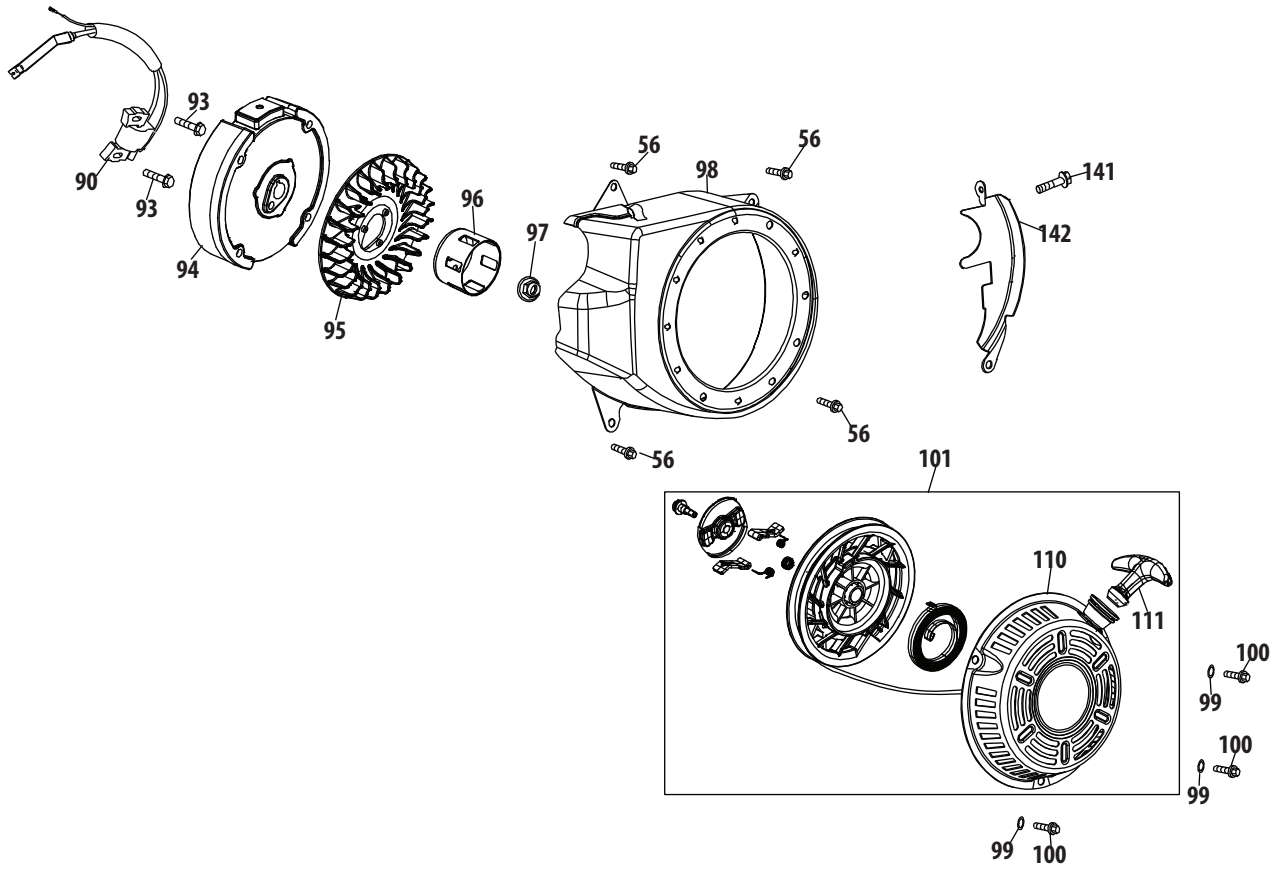
170-DU Fuel Tank



Ref.	Part Number	Description
1	710-04968	Bolt M6x16
56	710-04915	Bolt M6x12
91	951-11110	Air Flow Shield
92	710-04940	Bolt M6x10
112	951-11067	Throttle Control Knob
113	951-12131	Primer Bracket
114	710-05103	Bolt M6x12
115	951-11585	Governor Spring
116	951-10664	Throttle Linkage Spring
117	951-10665	Throttle Linkage
119	951-11106	Governor Arm
120	712-04212	Nut M6
121	710-04908	Governor Arm Bolt
122	951-10650	Kit-Fuel Line
123	951-11700	Fuel Hose Clamp

Ref.	Part Number	Description
124	951-11914	Dipstick Decoration Cover
125	710-04905	Bolt
127	951-11381	Oil Fill Tube O-Ring 15x1.5
128	951-11913	Oil Fill Tube Assy
130	951-12482	Dipstick Assy
131	951-14075	Roll Over Valve
132	951-12535	Cap Comp, Fuel
133	951-14076	Fuel Cap Chain
134	951-11933	Fuel Filter
135	951-14332	Fuel Tank Assembly
136	951-10651	Fuel Tank Nipple
137	712-05015	Nut M6
138	723-04093	Hose Clamp
139	732-05143	Hose Clamp
140	751-14541	Primer Hose Assembly

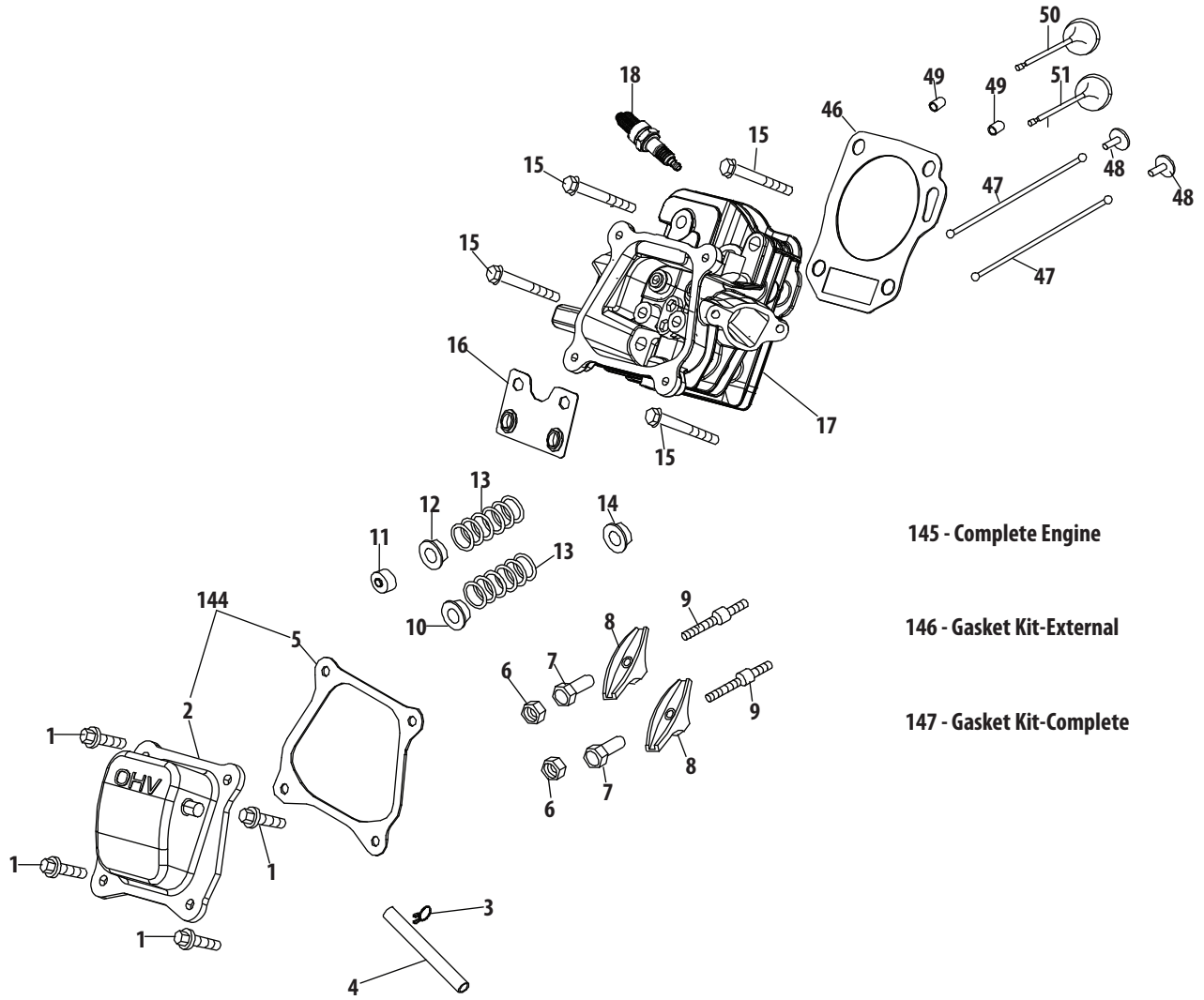
170-DU Flywheel & Housing



Ref.	Part Number	Description
56	710-04915	Bolt M6x12
90	951-10792	Ignition Coil Assembly
93	710-04919	Bolt M6x25
94	951-14320	Flywheel
95	951-10934	Cooling Fan
96	951-10911	Starter Cup
97	712-04209	Flywheel Nut, M14 X 1.5
98	951-11583	Blower Housing

Ref.	Part Number	Description
99	736-04455	Gasket 6
100	710-04974	Bolt M6x10
101	951-12418	Recoil Starter Assembly
110	951-12644	Blower Housing
111	731-09780	Starter Handle
141	710-04918	Bolt M6x20
142	951-14138	Blower Housing Shield

170-DU Cylinder Head



145 - Complete Engine

146 - Gasket Kit-External

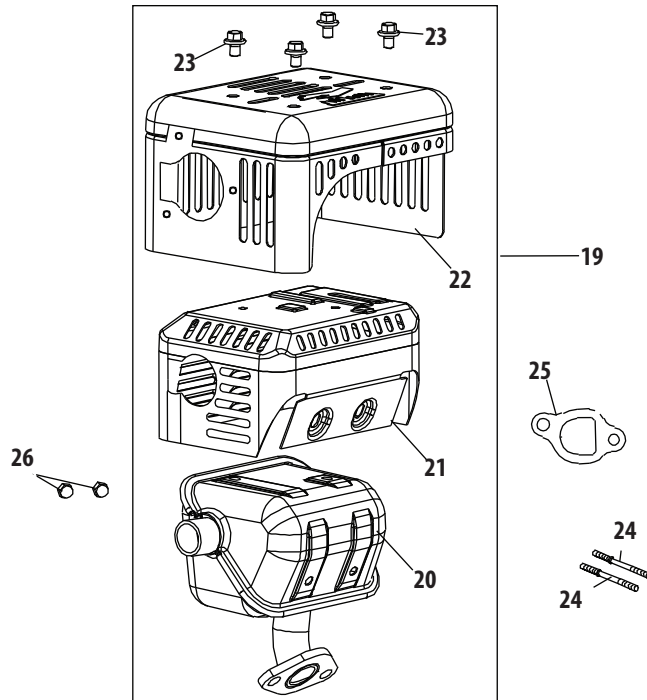
147 - Gasket Kit-Complete

170-DU Cylinder Head

Ref.	Part Number	Description
1	710-04968	Bolt M6×16
2	951-11054B	Valve Cover
3	726-04101	Clamp, Fuel Hose
4	731-09541	Venting House
5	951-11565	Valve Cover Gasket
6	751-11124	Nut, Pivot Locking
7	751-11123	Adjusting Nut ,Valve
8	951-11893	Rocker Arm
9	710-04902	Bolt, Pivot
10	951-12000	Valve Spring Retainer (Intake)
11	951-12002	Exhaust Lash Cap
12	951-12003	Valve Spring Retainer (Exhaust)
13	951-12004	Valve Spring
14	951-11894	Valve Seal (Intake)
15	710-06080	Bolt M8×55
16	951-11895	Push Rod Guide

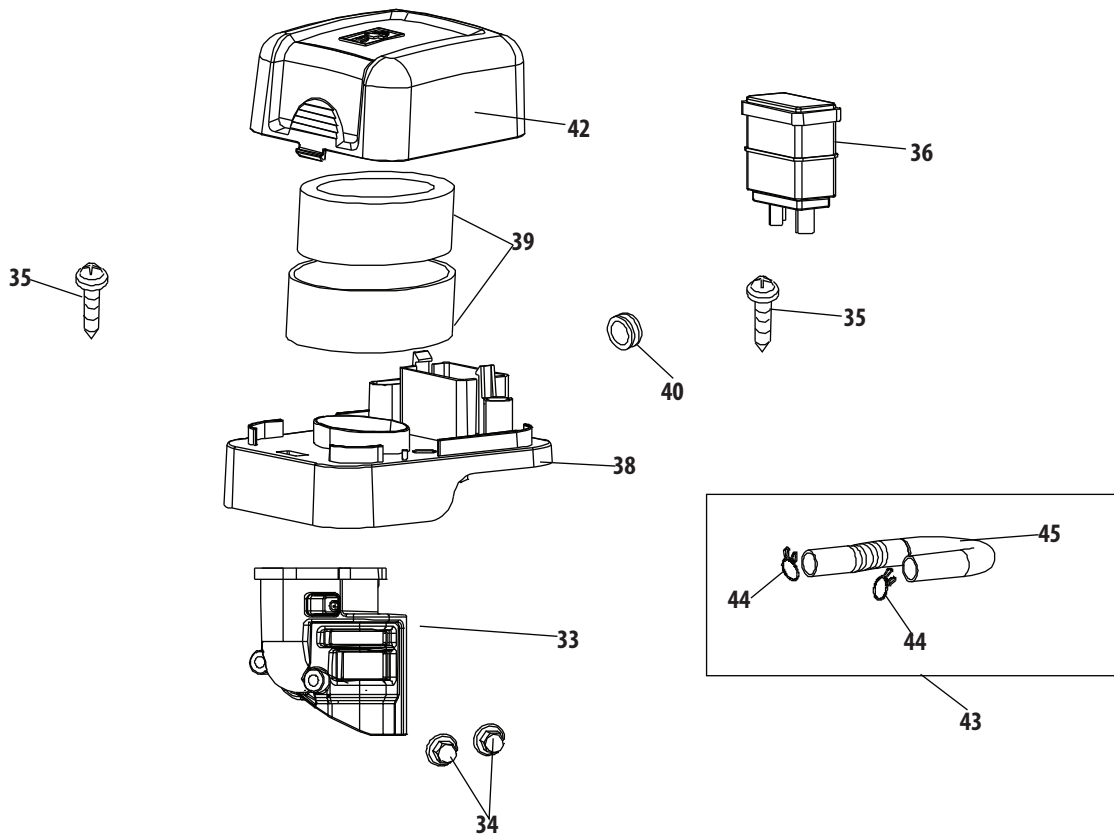
Ref.	Part Number	Description
17	951-05029	Cylinder Head Assembly (Incl.5-14,16,17,25,28-30,46,50,51)
18	951-10292	Spark Plug/F6Rtc
46	951-14316	Gasket, Cylinder Head
47	951-10648	Kit-Push Rod
48	951-11899	Tappet
49	715-04108	Dowel Pin 10×16
50	951-10647A	Valve Kit
51	951-10647A	Valve Kit
144	951-05033	Valve Cover Kit
145	952Z170-DU	Complete Engine
146	951-12026A	Gasket Kit-External (Incl.5,25,28-30,32)
147	951-05032	Gasket Kit-Complete (Incl.5,25,28-30,32,46,63, 64,80,86,89)

170-DU Muffler

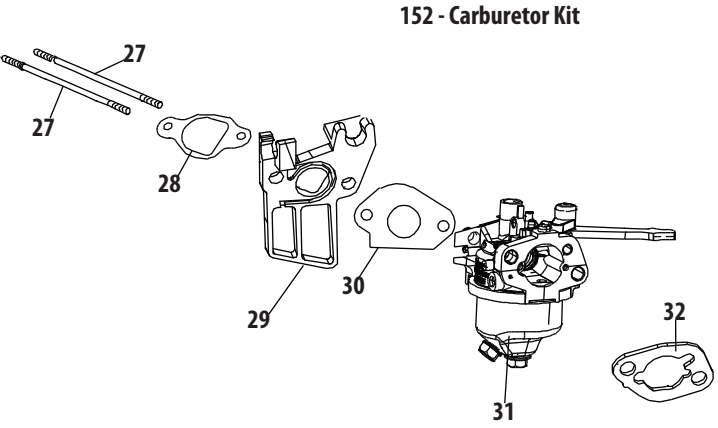


Ref.	Part Number	Description
19	651-05025	Muffler Assembly
20	751-14271	Muffler Body
21	951-14311	Muffler Shield
22	951-14310	Muffler Guard
23	710-06073	Bolt M5×8
24	710-04911	Stud M8×34
24	951-10657	Muffler Stud Assy
25	951-11289	Exhaust Pipe Gasket
26	712-04214	Nut, M8

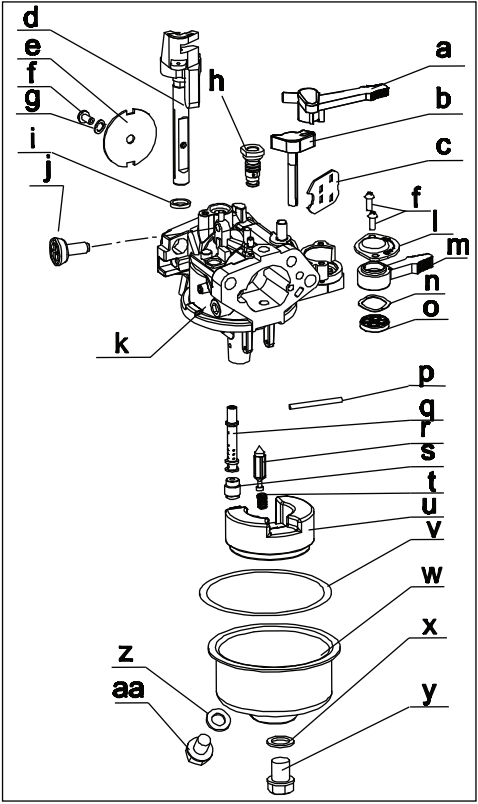
Engine Model 170-CU Air Filter



Ref.	Part Number	Description
33	951-14315	Air Cleaner Housing
34	712-04213	Nut
35	951-14068	Self-Tapping Bolt4.2x16
36	951-14069	Carbon Canister
38	951-14070	Silencer Plate
39	951-14262	Air Filter Assembly
40	750-05314	Damper Gasket
42	951-12136	Air Cleaner Cover
43	751-14072	Primer Hose
44	951-14073	Clamp
45	951-14074	Exhaust Piping



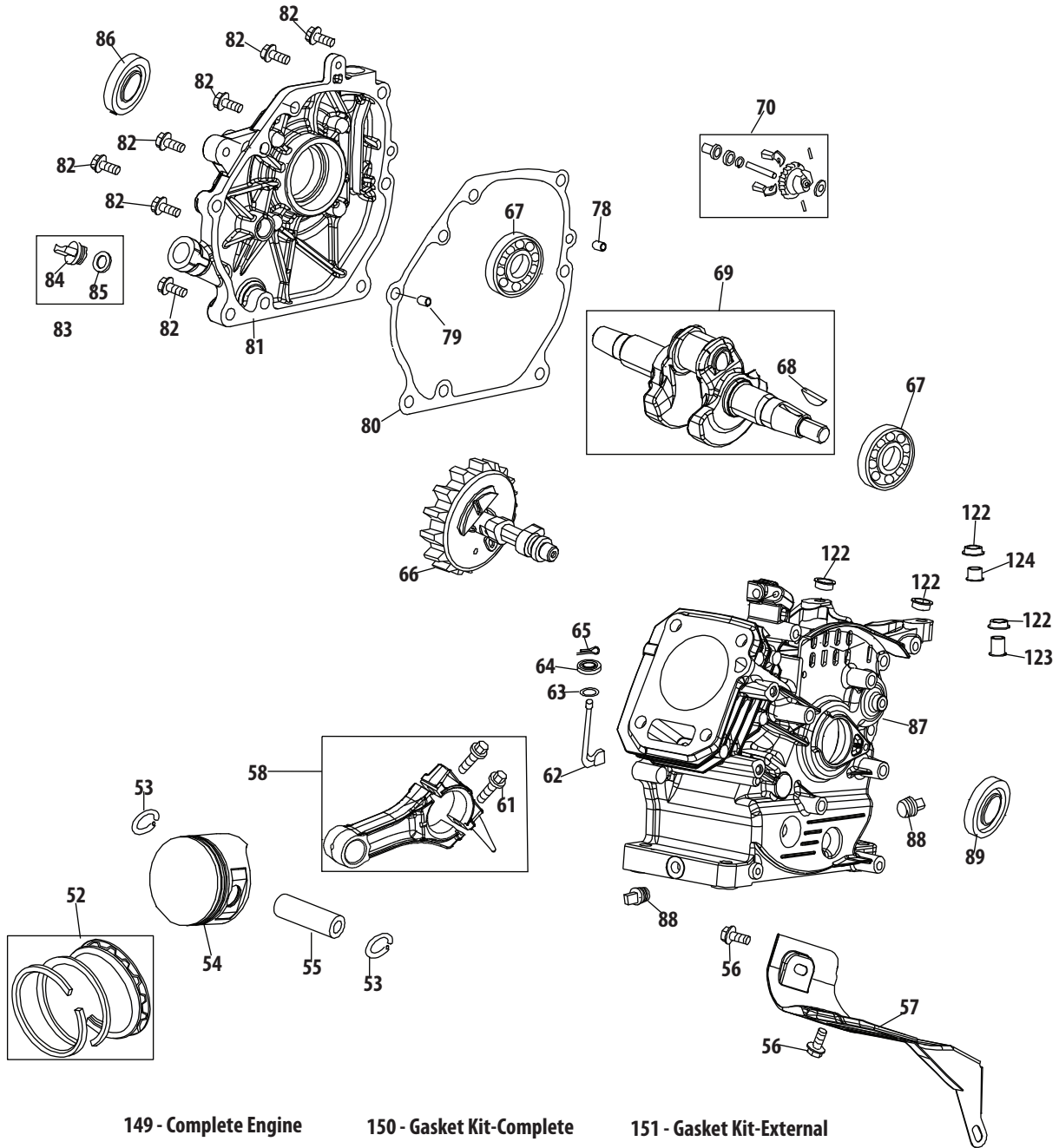
152 - Carburetor Kit



Ref.	Part Number	Description
27	710-05101	Stud M6x110
28	951-11567	Carburetor Insulator Gasket
29	951-11568	Carburetor Insulator
30	951-11569A	Carburetor Gasket
31	951-05106	Carburetor Assembly
32	951-11571	Carburetor Gasket Plate
152	951-05107	Carburetor Kit (Incl.h,p,q,r,s,t,u,v,x,z)
a	n/a	Control Lever,Choke
b	n/a	Choke Shaft
c	n/a	Choke Plate
d	n/a	Throttle Shaft
e	n/a	Throttle Plate
f	710-05469	Screw M3x6
g	736-04638	Lock Washer
h	793-00118	Idle Jet Assembly
i	n/a	Gasket, Throttle Plate
j	n/a	Idle Speed Adjusting Screw

Ref.	Part Number	Description
k	n/a	Carburetor Body
l	n/a	Fuel Shutoff Cover
m	n/a	Fuel Shutoff Lever
n	n/a	Fuel Shutoff Washer
o	n/a	Fuel Shutoff Valve
p	n/a	Float Pin
q	n/a	Emulsion Tube
r	n/a	Needle Valve
s	n/a	Main Jet
t	n/a	Needle Valve Spring
u	n/a	Float
v	951-11589	Fuel Bowl Gasket
w	n/a	Fuel Bowl
x	951-11348	Fuel Bowl Gasket
y	710-04945	Fuel Bowl Mounting Bolt
z	951-11349	Fuel Drain Plug Gasket
aa	710-04938	Fuel Drain Plug

170-CU Crankcase



149 - Complete Engine

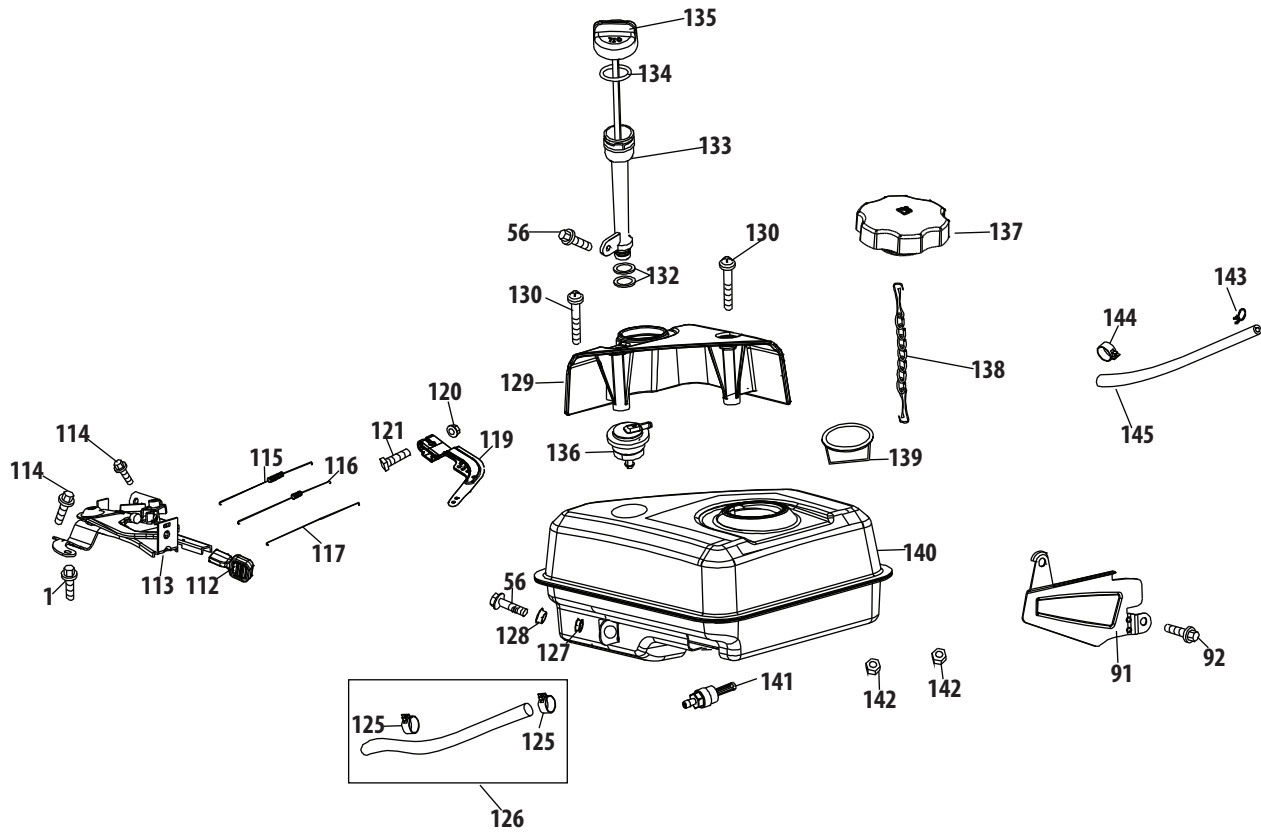
150 - Gasket Kit-Complete

151 - Gasket Kit-External

Ref.	Part Number	Description
52	951-14317	Piston Ring Set
53	951-11632	Piston Pin Snap Ring
54	951-14318	Piston
55	951-11633	Piston Pin
56	710-04915	Bolt M6x12
57	951-11113	Air Shield
58	951-11573	Connecting Rod Assembly
61	710-05116	Connecting Rod Bolt
62	951-14053	Governor Arm
63	736-04461	Washer 5.2x1.9
64	951-11902	Governor Seal
65	714-04078	Cotter Pin
66	951-11575A	Camshaft Assembly
67	951-11369	Radial Ball Bearing, 6205
68	951-10307	Woodruff Key
69	951-12133	Crankshaft Assembly
69	951-05120	Crankshaft Kit (Incl.67-69,86,89)
70	917-05007	Governor Gear/Shaft Assembly
78	715-04092	Dowel Pin 7x14
79	715-04096	Dowel Pin 9x14
80	951-11371	Crankcase Cover Gasket
81	951-12125	Crankcase Cover

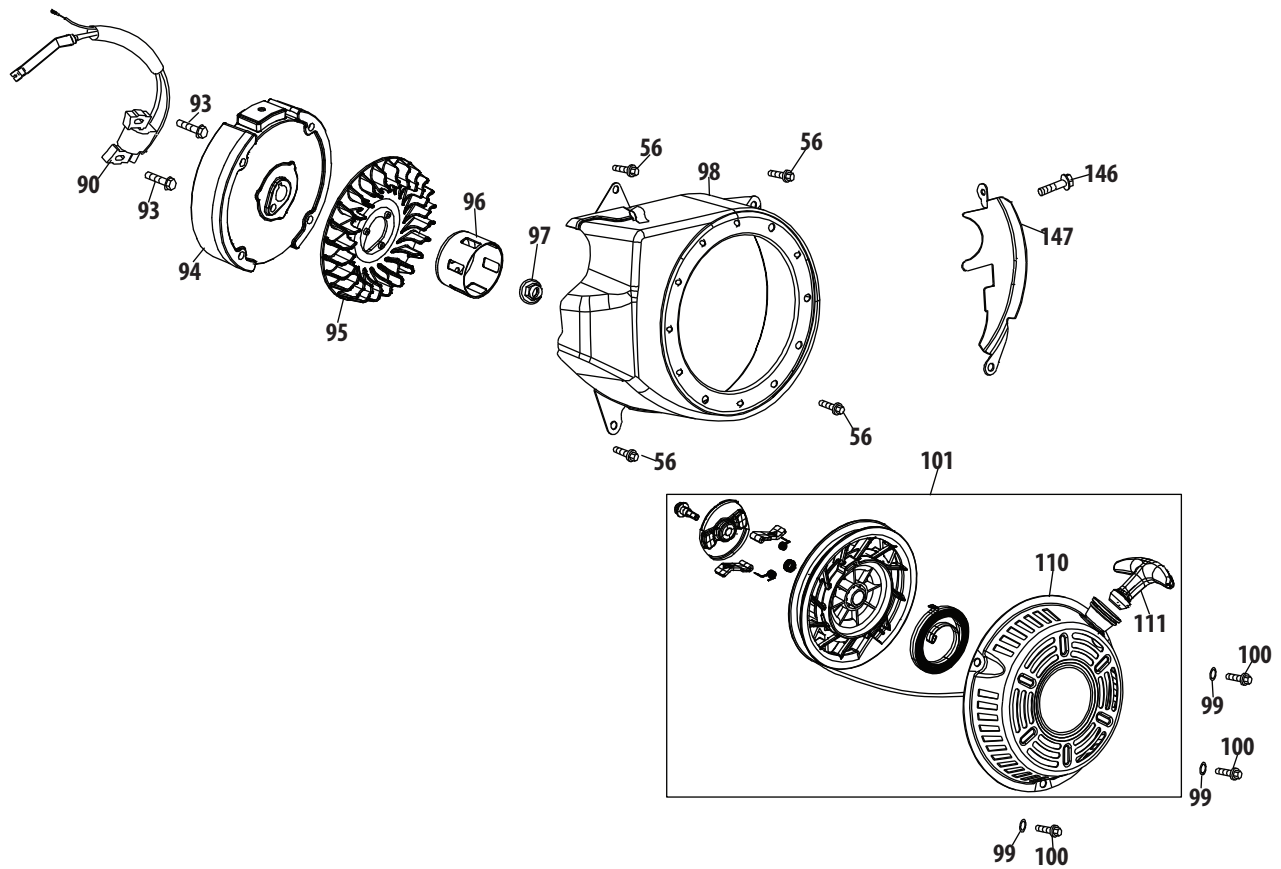
Ref.	Part Number	Description
81	951-14142	Crankcase Cover Kit (Incl.67,80,81,82,85,86,88)
82	710-04932	Bolt M8x32
83	951-11283	Oil Fill Plug Assembly
84	951-12514A	Oil Plug
85	951-11577	O-Ring 15.8x2.5
86	951-11578	Oil Seal, 25x41.25x6
87	951-05121	Crankcase Kit (Incl.64,67,83,,86,87,89)
87	951-12122A	Short Block Assembly (Incl.5,25,28-30,46,48,49, 52-55,58-82,85-89)
88	951-12394	Oil Drain Plug
89	951-12126	Oil Seal 25x41.25x6
122	735-04266	Damping Rubber Pad
123	735-04265	Bush
124	735-04267	Bush
149	952Z170-CU	Complete Engine
150	951-05032	Gasket Kit-Complete (Incl.5,25,28-30,32,46, 63,64,80,86,89)
151	951-12026A	Gasket Kit-External (Incl.5,25,28,30,32)

170-CU Fuel Tank



Ref.	Part Number	Description
1	710-04968	Bolt M6×16
56	710-04915	Bolt M6×12
57	951-11113	Air Shield
91	951-11110	Air Flow Shield
92	710-04940	Bolt M6×10
112	951-11067	Throttle Control Knob
113	951-12131	Primer Bracket
114	710-05103	Bolt M6×12
115	951-11585	Governor Spring
116	951-10664	Throttle Linkage Spring
117	951-10665	Throttle Linkage
119	951-11106	Governor Arm
120	712-04212	Nut M6
121	710-04908	Governor Arm Bolt
125	951-11700	Fuel Hose Clamp
126	951-10650	Kit-Fuel Line
127	750-05314	Rubber Shock Pad

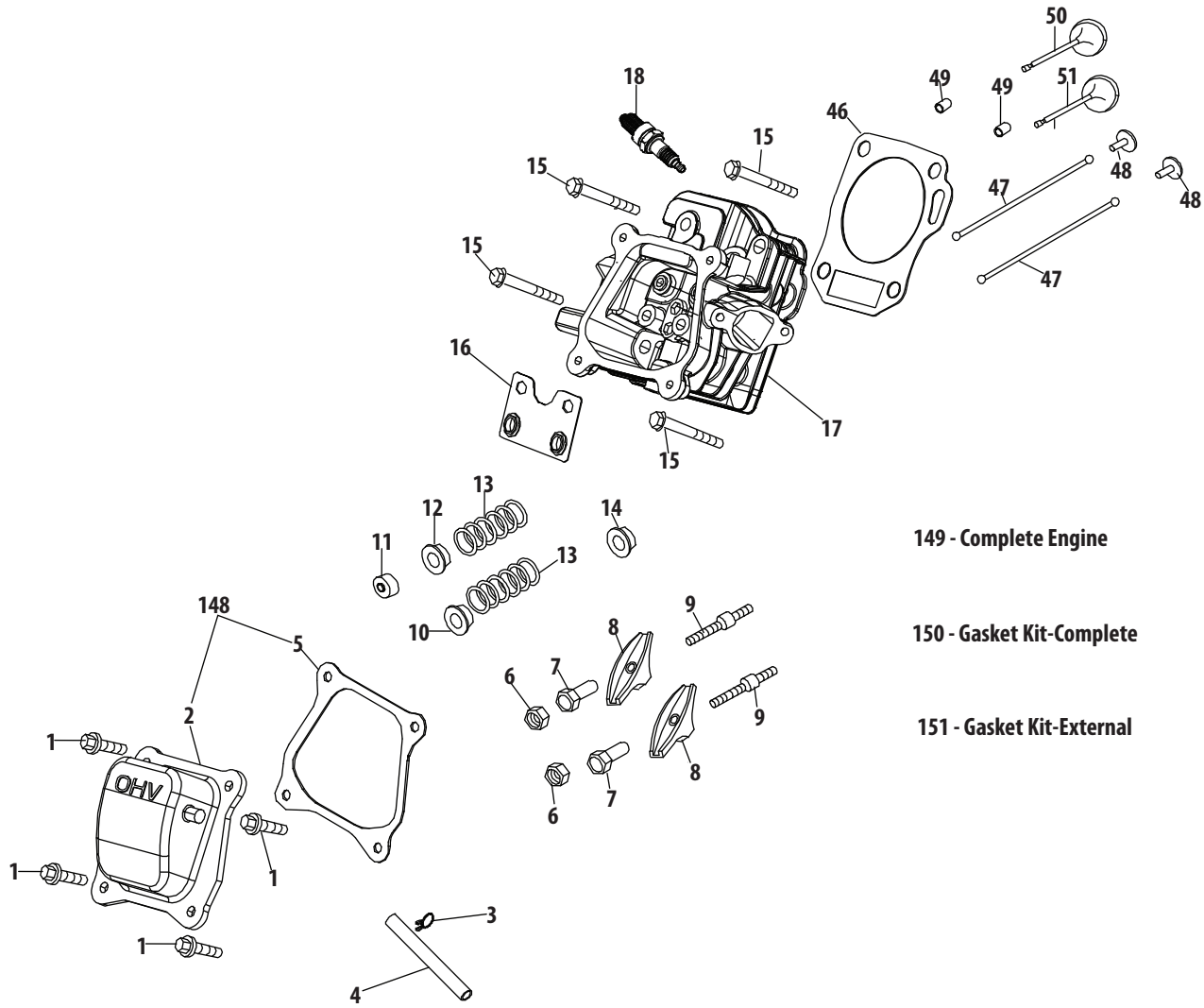
Ref.	Part Number	Description
128	735-04268	Bush
129	951-11914	Dipstick Decoration Cover
130	710-04905	Bolt
132	951-11381	Oil Fill Tube O-Ring
133	951-11913	Oil Fill Tube Assey (Incl.132,133)
134	921-04663	Oil Fill Tube O-Ring
135	951-12482	Dipstick Assy - (Incl.134,135)
136	951-14075	Roll Over Valve
137	951-12535	Cap Comp,Fuel Feller
138	951-14076	Fuel Cap Chain
139	951-11933	Fuel Filter
140	951-14332	Fuel Tank
141	951-10651	Fuel Tank Nipple
142	712-05015	Nut M6
143	723-04093	Exhaust Piping
144	932-05143	Hose Clamp
145	951-14541	Primer Hose Assembly



Ref.	Part Number	Description
56	710-04915	Bolt 6x12
90	951-10792	Ignition Coil Assembly
93	710-04919	Bolt M6x25
94	951-14320	Flywheel
95	951-10934	Cooling Fan
96	951-10911	Starter Cup
97	712-04209	Flywheel Nut, M14 X 1.5
98	951-11583	Blower Housing

Ref.	Part Number	Description
99	736-04455	Gasket Ø6
100	710-04974	Bolt M6x10
101	951-12418	Recoil Starter Assembly
110	951-10663A	Blower Housing
111	931-09780	Starter Handle
146	710-04918	Bolt M6x20
147	951-14138	Blower Housing Shield

170-CU Cylinder Head



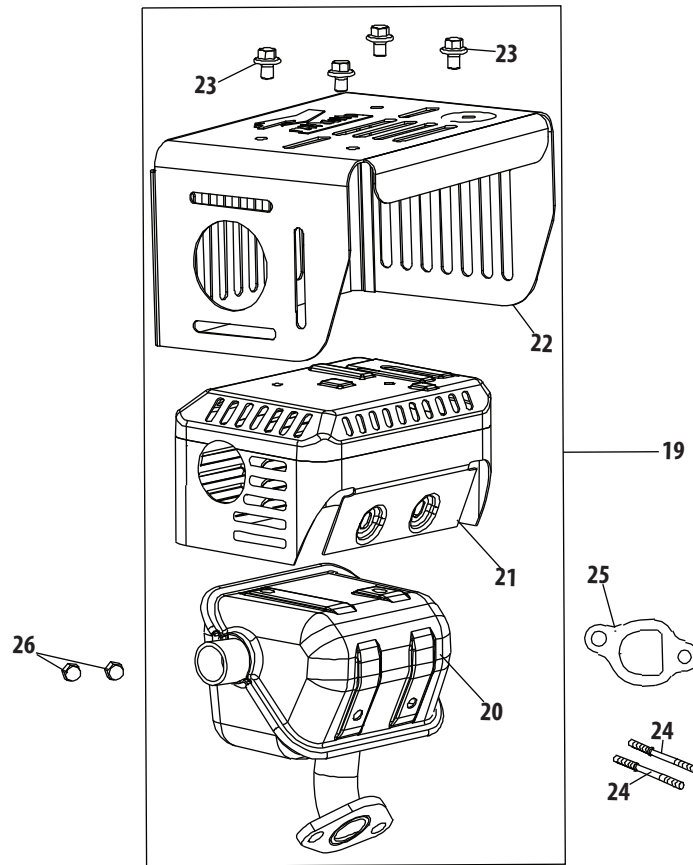
149 - Complete Engine

150 - Gasket Kit-Complete

151 - Gasket Kit-External

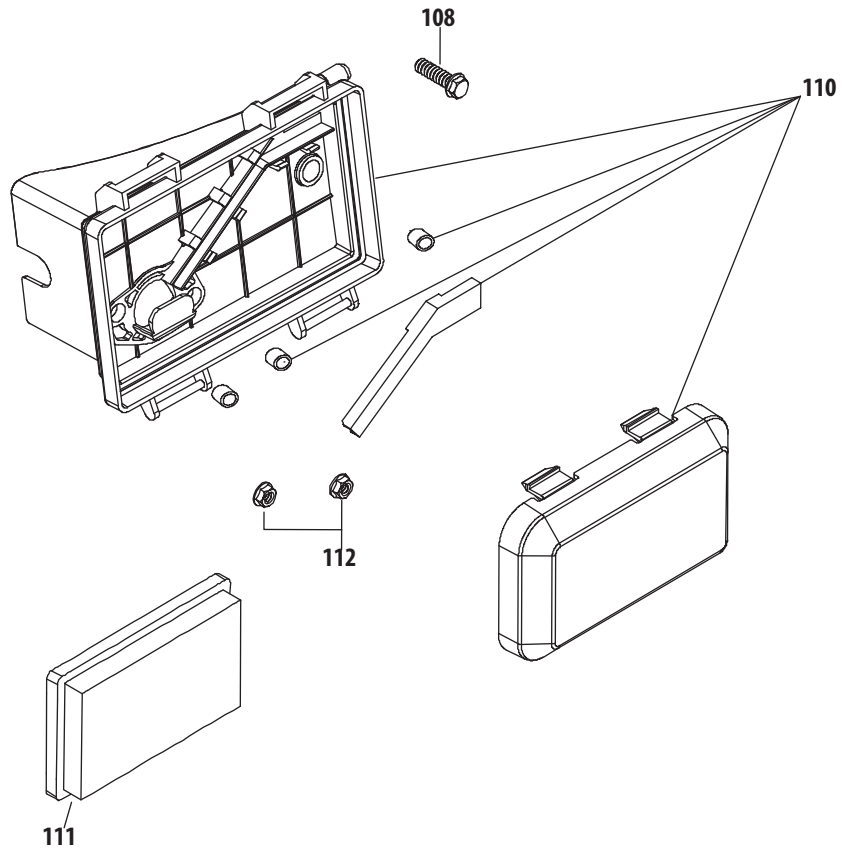
Ref.	Part Number	Description
1	710-04968	Bolt M6×16
2	951-11054B	Valve Cover
3	726-04101	Clamp, Fuel Hose
4	931-09541	Venting Hose
5	951-11565	Valve Cover Gasket
6	751-11124	Nut, Pivot Locking
7	751-11123	Adjusting Nut ,Valve
8	951-11893	Rocker Arm
9	710-04902	Bolt, Pivot
10	951-12000	Valve Spring Retainer (Intake)
11	951-12002	Exhaust Lash Cap
12	951-12003	Valve Spring Retainer (Exhaust)
13	951-12004	Valve Spring
14	951-11894	Valve Seal (Intake)
15	710-06080	Bolt M8×55
16	951-11895	Push Rod Guide
17	951-05029	Cylinder Head Assembly (Incl.5-14,16,17,25,28-30,46,50,51)
18	951-10292	Spark Plug/F6Rtc
46	951-14316	Gasket, Cylinder Head
47	951-10648	Kit-Push Rod
48	951-11899	Tappet
49	715-04108	Dowel Pin 10×16
50	951-10647A	Valve Kit
51	951-10647A	Valve Kit
148	951-05033	Valve Cover Kit
149	952Z170-CU	Complete Engine
150	951-05032	Gasket Kit-Complete (Incl.5,25,28-30,32,46, 63,64,80,86,89)
151	951-12026A	Gasket Kit-External (Incl.5,25,28,30,32)

170-CU Muffler

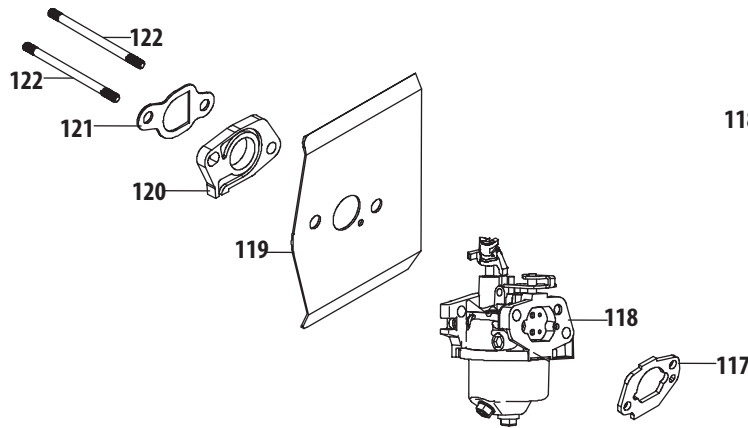


Ref.	Part Number	Description
19	951-12123	Muffler Assembly
20	951-14271	Muffler Body
21	951-14268	Muffler Shield
22	908-05060	Muffler Guard
23	710-06073	Bolt M5×8
24	710-04911	Stud M8×34
24	951-10657	Muffler Stud Assy
25	951-11289	Exhaust Pipe Gasket
26	712-04214	Nut, M8

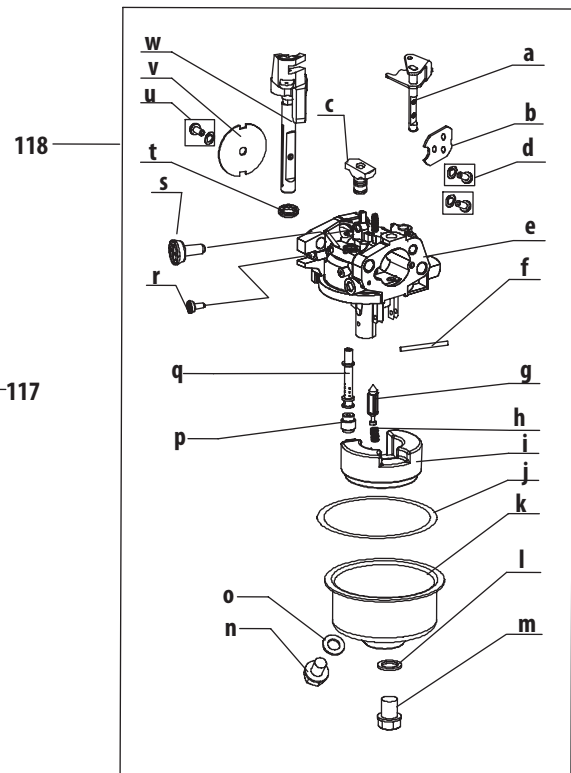
Engine Model 1X65LU Air Cleaner



Ref.	Part Number	Description
108	710-04969	Bolt M6X30 Af Base/Coil/E-Starter
110	951-14439	Air Cleaner Housing Ass'Y
111	751-11908	Air Filter Element, Paper
112	712-04212	Nut M6X10Mm Starter/Carb/Muff



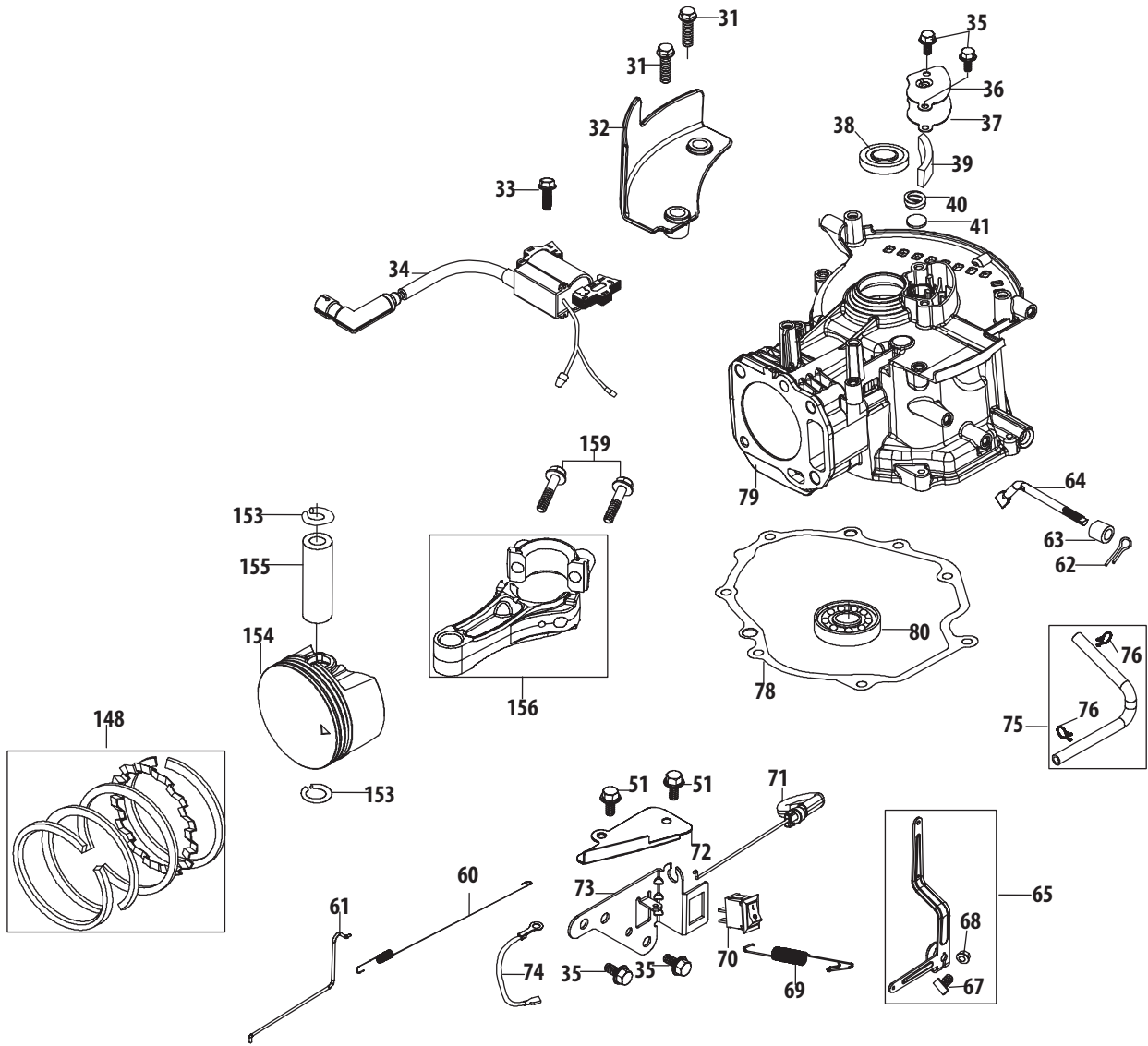
167 - Carburetor Kit



Ref.	Part Number	Description
117	951-14419	Air Filter Base Gasket
118	751-14608	Carburetor Assembly
119	951-14424	Carburetor Gasket
120	951-11738	Carburetor Insulator
121	951-11528	Carburetor Insulator Gasket
122	951-14425	Carb Stud M6×87
167	751-14616	Carburetor Kit (Incl.c,f,h,l,j,i,o,p,q,s)
a	n/a	Choke Shaft
b	n/a	Choke Plate
c	n/a	Idle Jet
d	n/a	Bolt M3×5
e	n/a	Carburetor Body
f	n/a	Float Pin
g	n/a	Needle Valve
h	n/a	Needle Valve Spring

Ref.	Part Number	Description
i	n/a	Float
j	951-11589	O-Ring, Float Bowl
k	n/a	Float Bowl
l	951-11349	Gasket, Drain Bolt
m	710-04938	Drain Bolt
n	710-04945	Bolt, Float Bowl
o	951-11348	O-Ring, Float Bowl
p	n/a	Idle Jet
q	n/a	Nozzle Tube
r	n/a	Mixture Screw
s	n/a	Idle Speed Adjusting Screw
t	n/a	Gasket
u	710-05469	Bolt M3×6
v	n/a	Throttle Plate
w	n/a	Throttle Plate

1X65LU Crankcase



164 - Complete Engine

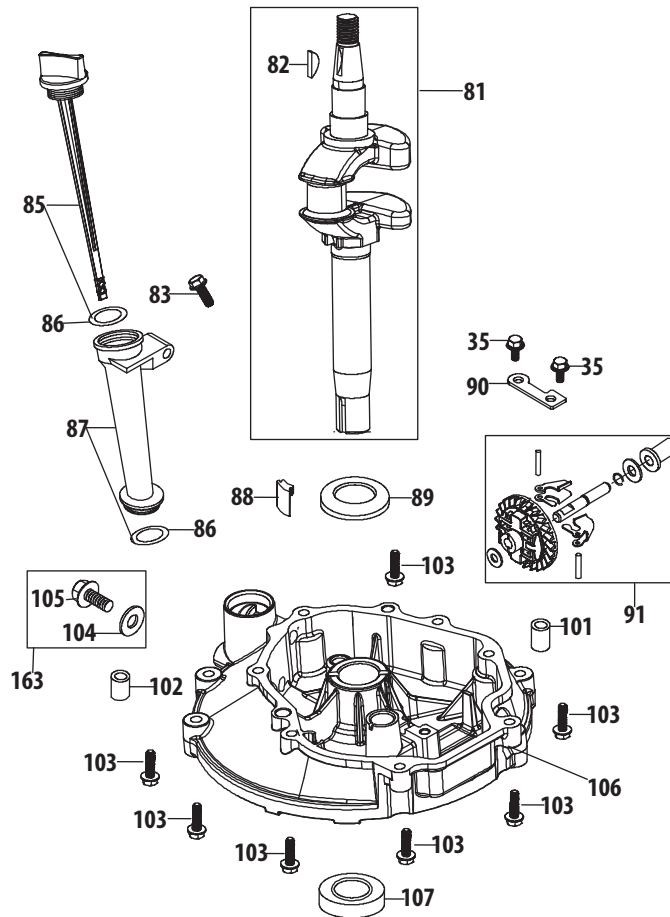
165 - Gasket Kit - Complete

166 - Gasket Kit -External

1X65LU Crankcase

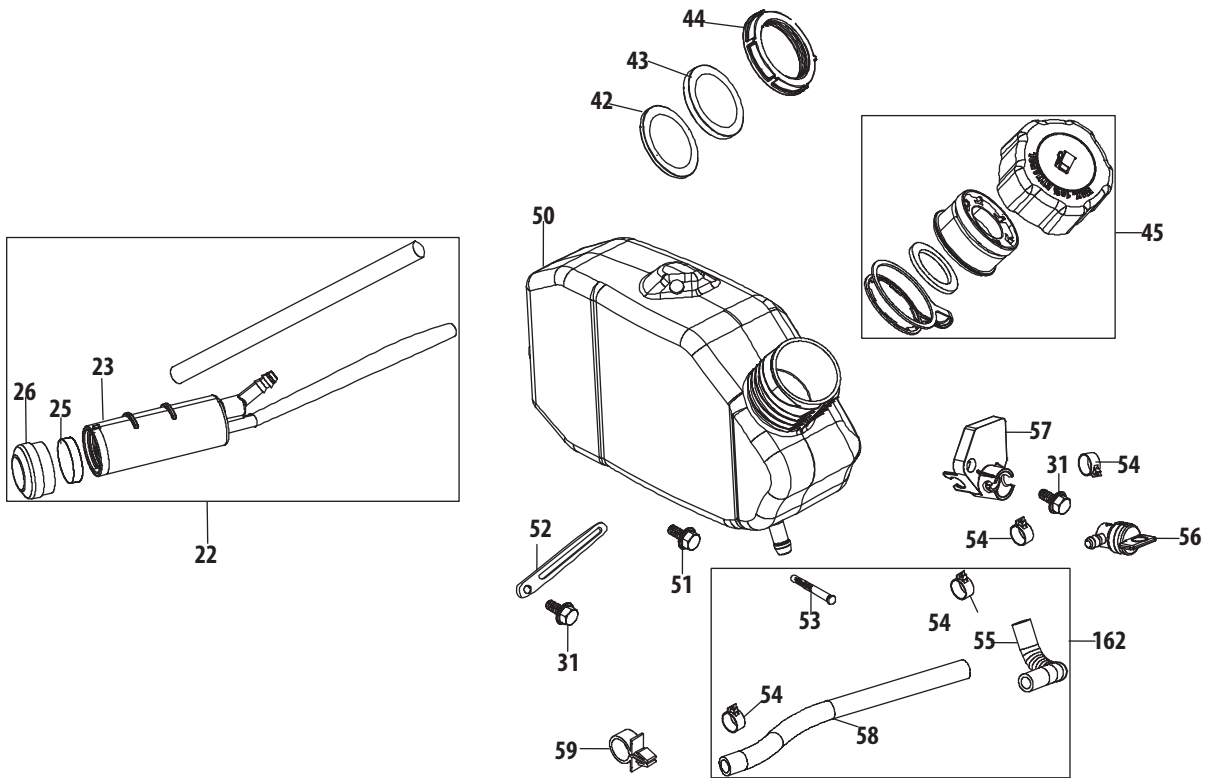
Ref.	Part Number	Description	Ref.	Part Number	Description
31	710-04919	Bolt M6x25 Cover Plate	73	951-14413	Component Bracket
32	751-14597	Engine Brake Cover Plate	74	751-14606	Ignition Switch Ground Wire
33	710-04918	Bolt M6x20 Ignition Coil	75	951-11520	Breather Hose Assembly
34	751-14598	Ignition Coil Assembly	76	726-04101	Breather Hose Clamp
35	710-04916	Bolt M6X14 Multi-Purpose	78	951-14415	Crankcase Cover Gasket
36	951-14404	Breather Cover Plate	79	751-14617	Short Block
37	951-14405	Breather Gasket			(Incl.35-41,62-64,78-82,86,88-91,
38	951-11596	Upper Crankshaft Seal			101-107,117,120,121,137,140,
39	951-11730	Breather Screen			143,144,146-148,153-156,159)
40	732-04718	Breather Valve Spring	80	951-11369	Main Bearing
41	951-11614	Breather Valve	148	951-14433	Piston Ring Set
51	710-04915	Bolt M6X12 Multi-Purpose	153	951-11603	Piston Pin Snap Ring
60	951-14409	Throttle Linkage Spring	154	951-14434	Piston
61	951-14410	Throttle Linkage	155	951-14435	Piston Pin
62	714-04074	Governor Arm Shaft Cotter Pin	156	951-14436	Connecting Rod Assembly
63	951-11574	Governor Seal	159	710-05115	Connecting Rod Bolt
64	951-14416	Governor Arm Shaft	164	952Z1X65LU	Complete Engine
65	951-14412	Governor Arm Assembly	165	751-14614	Gasket Kit - Complete
67	710-04908	Governor Arm Bolt			(Incl.37,38,63,78,86,104,107,117,
68	712-05015	Governor Arm Nut M6			119,120,121,137,140,143)
69	951-14411	Governor Spring	166	751-14615	Gasket Kit -External
70	751-14603	Ignition Switch			(Incl.37,86,104,117,119,120,
71	751-14604	Choke Control			121,137,140)
72	751-14605	Air Vane Cover Plate			

1X65LU Crankshaft & Crankcase Cover



Ref.	Part Number	Description
35	710-04916	Bolt M6X14 Multi-Purpose
81	751-14607	Crankshaft Assembly
82	951-10307	Flywheel Key
83	710-04980	Bolt M6X35 Af Base/Brake/Dipstick
85	751-14612	Oil Dipstick Assembly
86	951-11547	Dipstick / Oil Fill Tube O-Ring
87	751-14613	Oil Fill Tube Assembly
88	951-11733	Oil Return Seal
89	736-04491	Crankshaft Thrust Washer
90	951-11609	Governor Gear Mounting Plate

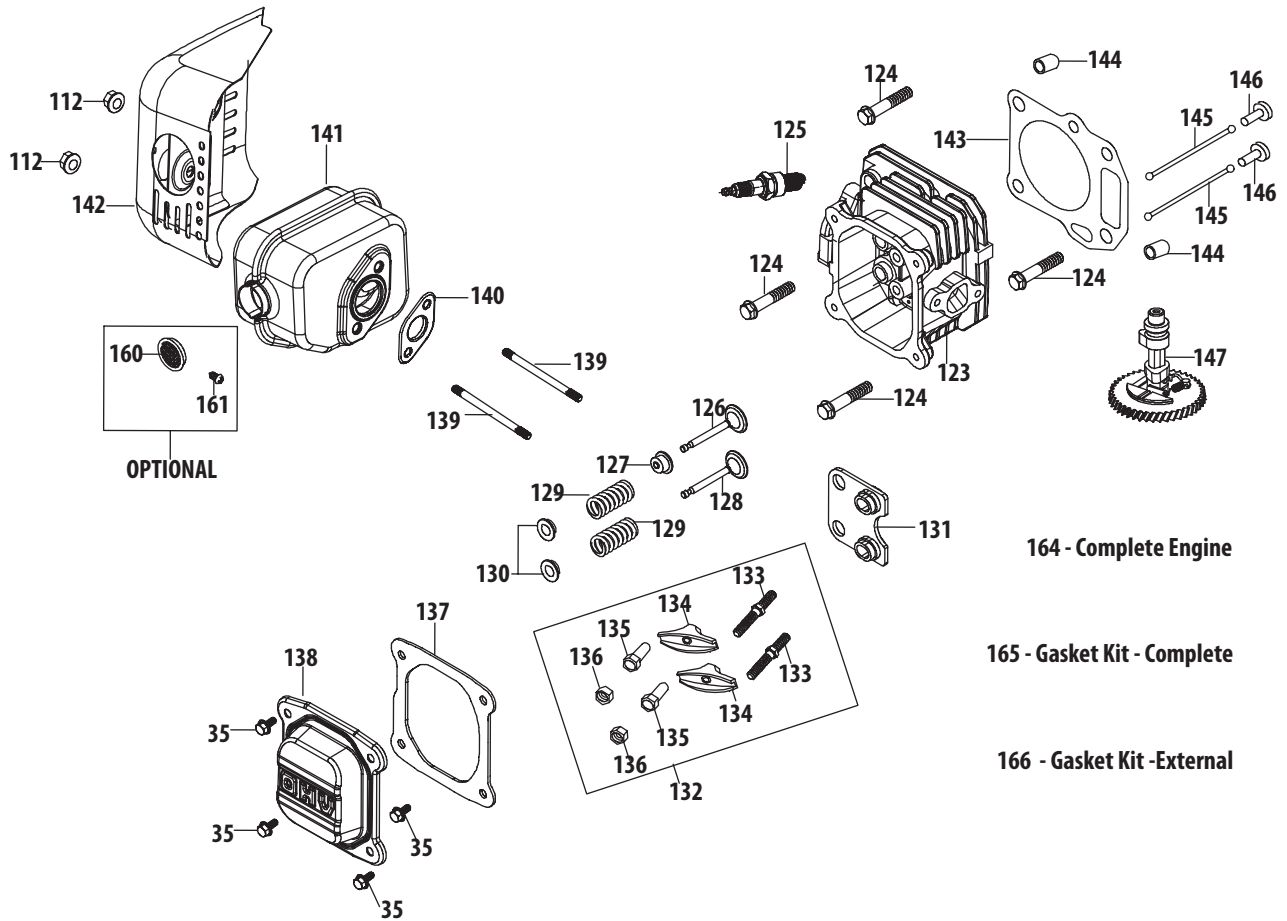
Ref.	Part Number	Description
91	951-11549	Governor Gear/Shaft Assembly
101	715-04096	Crankcase Cover Dowel Pin
102	715-04089	Crankcase Cover Dowel Pin
103	710-04931	Bolt M6X28 X65/P65 Crankcase
104	736-04440	Oil Drain Plug Washer
105	710-04906	Oil Drain Plug
106	951-14418	Crankcase Cover
107	951-11545	Lower Crankshaft Seal
163	951-10370	Oil Drain Plug & Washer Ass'Y



Ref.	Part Number	Description
22	951-14442	Carbon Canister Assembly
23	951-14126	Carbon Canister
25	951-14400	Carbon Canister Filter
26	951-14127	Carbon Canister Filter Cap
31	710-04919	Bolt M6x25 Cover Plate
42	731-08133	Fuel Tank Lower Grommet
43	951-14406	Fuel Tank Upper Grommet
44	731-08104	Fuel Tank Nut
45	951-14407	Fuel Cap Assembly
50	931-04629	Fuel Tank

Ref.	Part Number	Description
51	710-04915	Bolt M6X12 Multi-Purpose
52	951-11680	Flexible Clamp, Vent Hose
53	951-10358A	Fuel Filter
54	951-11700	Fuel Hose Clamp
55	751-14599	Fuel Hose Carb Section
56	751-14601	Fuel Shut-Off Valve
57	751-14602	Fuel Shut-Off Valve Mount
58	751-14600	Fuel Hose Tank Section
59	723-04071	Plastic Support Clamp
162	751-14610	Fuel Line Kit

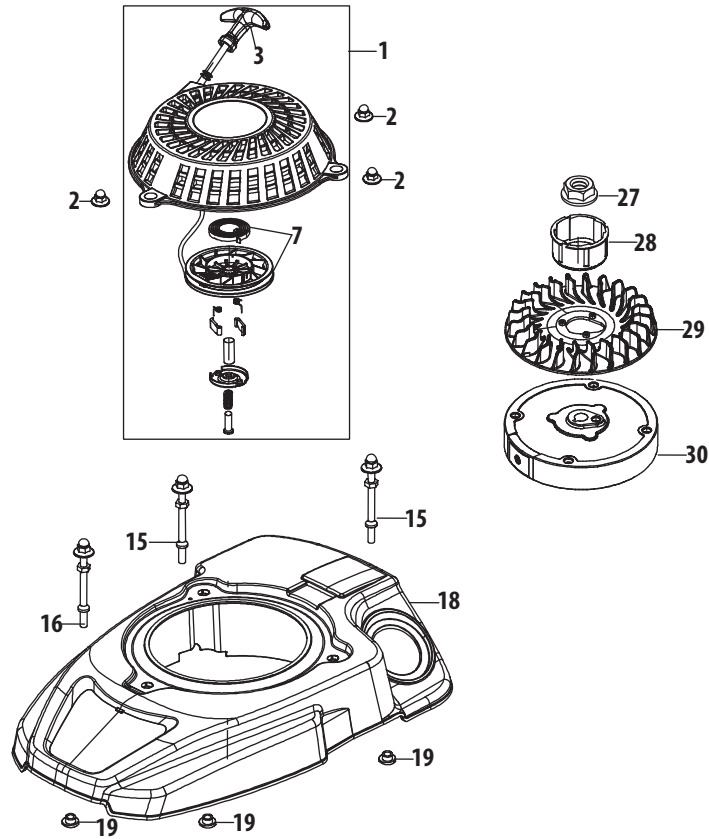
1X65LU Cylinder Head & Muffler



1X65LU Cylinder Head & Muffler

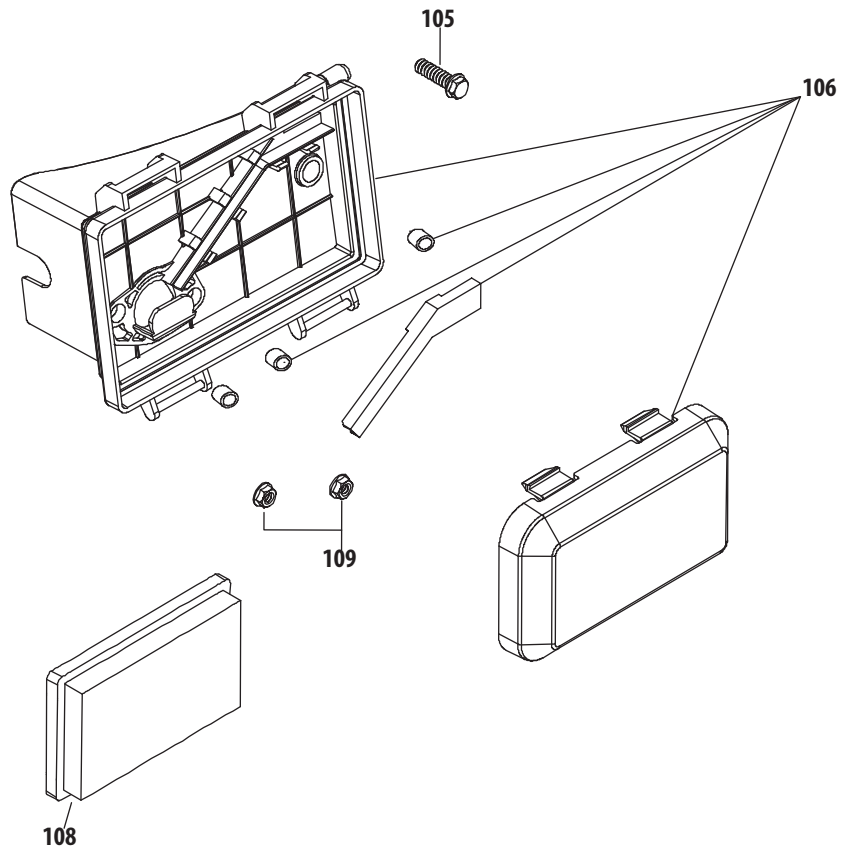
Ref.	Part Number	Description	Ref.	Part Number	Description
35	710-04916	Bolt M6X14 Multi-Purpose	138	751-14609	Valve Cover
112	712-04212	Nut M6X10Mm Starter/Carb/Muff	139	710-05094	Muffler Stud M6X95
123	951-14448	Cylinder Head Asm (Incl.120,121,123,126-131, 133-137,140,143)	139	951-10342	Muffler Stud Assembly
	951-14445	Cylinder Head Service Kit (Incl.124,127,137,143)	140	951-14427	Muffler Gasket
124	710-04982	Bolt M8X54 Cylinder Head	141	951-10403	Muffler Assembly
125	951-14437	Spark Plug/F5Rtc	142	951-14430	Muffler Shield
126	951-10313	Valve Kit	143	951-14431	Cylinder Head Gasket
127	951-11818	Intake Valve Seal	144	715-04108	Cylinder Head Dowel Pin Φ 10x16
128	951-10313	Valve Kit	145	951-10314	Push Rod
129	951-12004	Valve Spring	146	951-14432	Tappet
130	951-11977	Valve Spring Retainer	147	951-11741	Camshaft Assembly
131	951-11687	Push Rod Guide	160	951-10351	Spark Arrestor
132	951-11606	Rocker Arm Assembly	161	710-04983	Spark Arrestor Screw
133	710-04902	Rocker Arm Stud	164	952Z1X65LU	Complete Engine
134	951-12001	Rocker Arm	165	751-14614	Gasket Kit - Complete (Incl.37,38,63,78,86,104,107,117, 119,120,121,137,140,143)
135	751-11123	Fulcrum Nut	166	751-14615	Gasket Kit -External (Incl.37,86,104,117,119,120, 121,137,140)
136	751-11124	Jam Nut			
137	951-11551	Valve Cover Gasket			

1X65LU Flywheel & Shroud

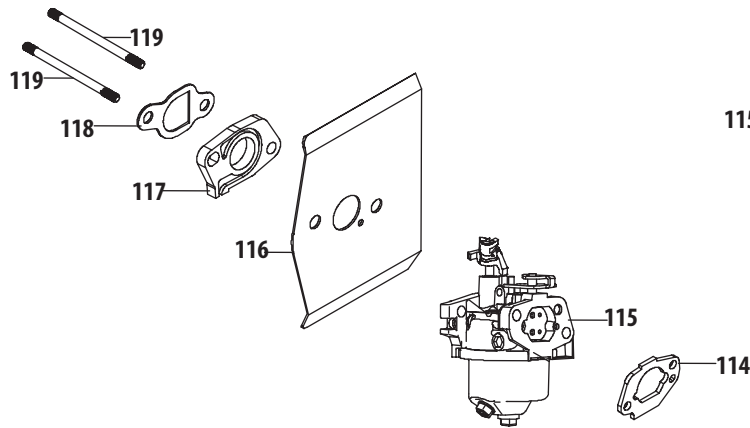


Ref.	Part Number	Description
1	951-14396	Recoil Starter Assembly
2	712-04290	Starter Acorn Nut
3	731-07925	Starter Handle
7	951-11721	Recoil Pulley & Spring Ass'Y
15	951-14397	Starter/Shroud Rear Stud M6x78.5
16	951-14398	Starter/Shroud Front Stud M6x74
18	951-14399	Engine Shroud
19	750-05320	Engine Shroud Spacer
27	712-04287	Flywheel Nut M14
28	951-12161	Starter Cup
29	951-10934	Cooling Fan
30	751-14596	Flywheel

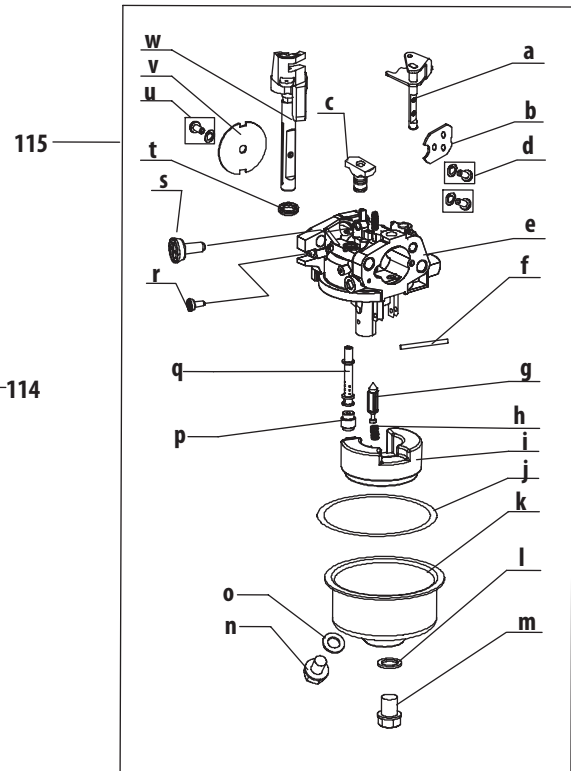
Engine Model 1X65CU Air Cleaner



Ref.	Part Number	Description
105	710-04969	Bolt M6X30 Af Base/Coil/E-Starter
106	951-14439	Air Cleaner Housing Ass'Y
108	951-10298	Air Filter
109	712-05015	Nut M6X10Mm Starter/Carb/Muff



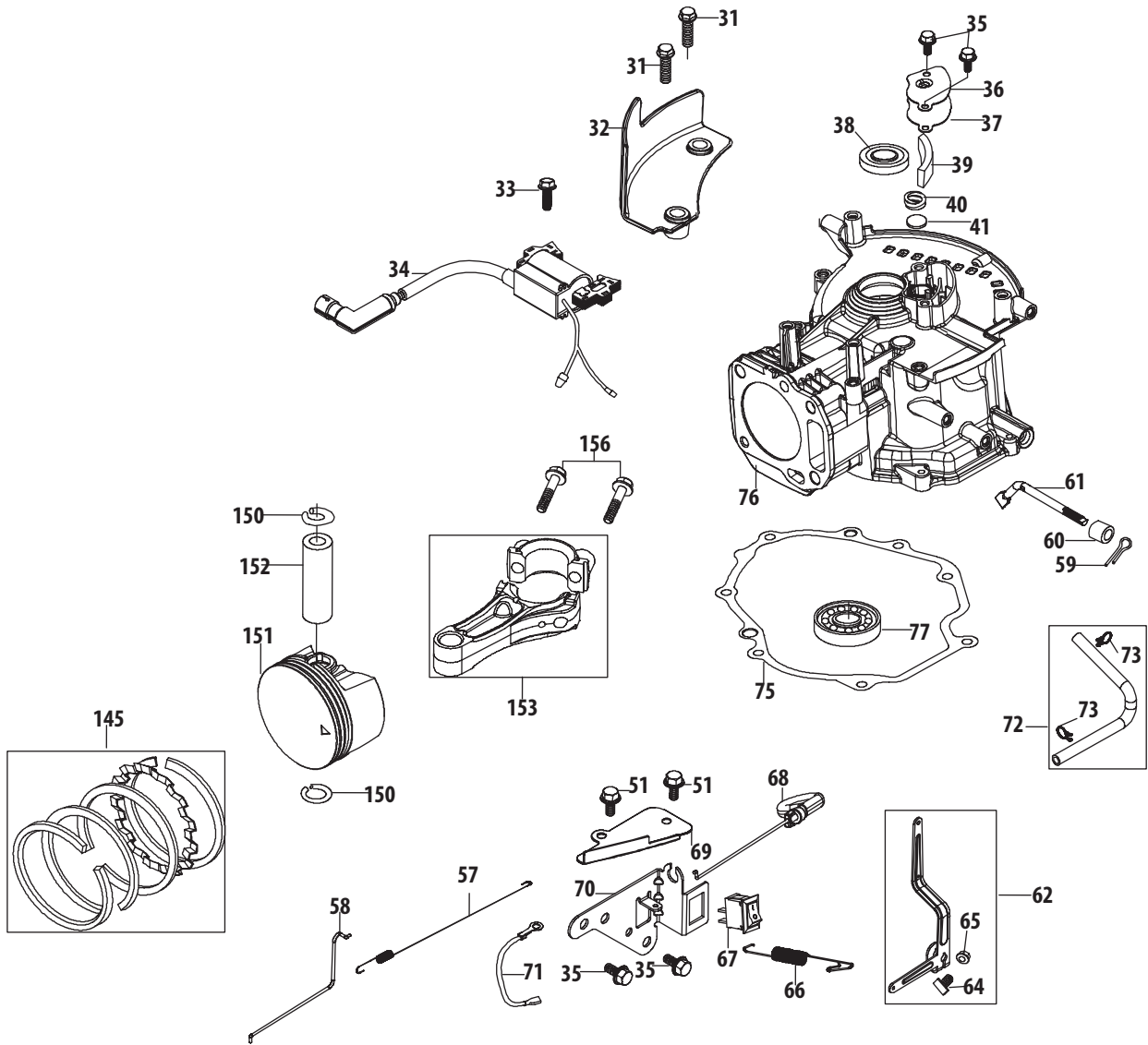
163 - Carburetor Kit



Ref.	Part Number	Description
114	951-14419	Air Filter Base Gasket
115	951-14608	Carburetor Assembly
116	951-14424	Carburetor Gasket
117	951-11738	Carburetor Insulator
118	951-11528	Carburetor Insulator Gasket
119	951-14425	Carb Stud M6x87
163	951-14616	Carburetor Kit (Incl.d,g,h,l,j,m,p,q,r,s,u)
a	n/a	Choke Shaft
b	n/a	Choke Plate
c	n/a	Idle Jet
d	n/a	Bolt M3x5
e	n/a	Carburetor Body
f	n/a	Float Pin
g	n/a	Needle Valve
h	n/a	Needle Valve Spring

Ref.	Part Number	Description
i	n/a	Float
j	n/a	O-Ring, Float Bowl
k	n/a	Float Bowl
l	n/a	Gasket, Drain Bolt
m	n/a	Drain Bolt
n	n/a	Bolt, Float Bowl
o	n/a	O-Ring, Float Bowl
p	n/a	Idle Jet
q	n/a	Nozzle Tube
r	n/a	Mixture Screw
s	n/a	Idle Speed Adjusting Screw
t	n/a	Gasket
u	n/a	Bolt M3x6
v	n/a	Throttle Plate
w	n/a	Throttle Plate

1X65CU Crankcase



160 - Complete Engine

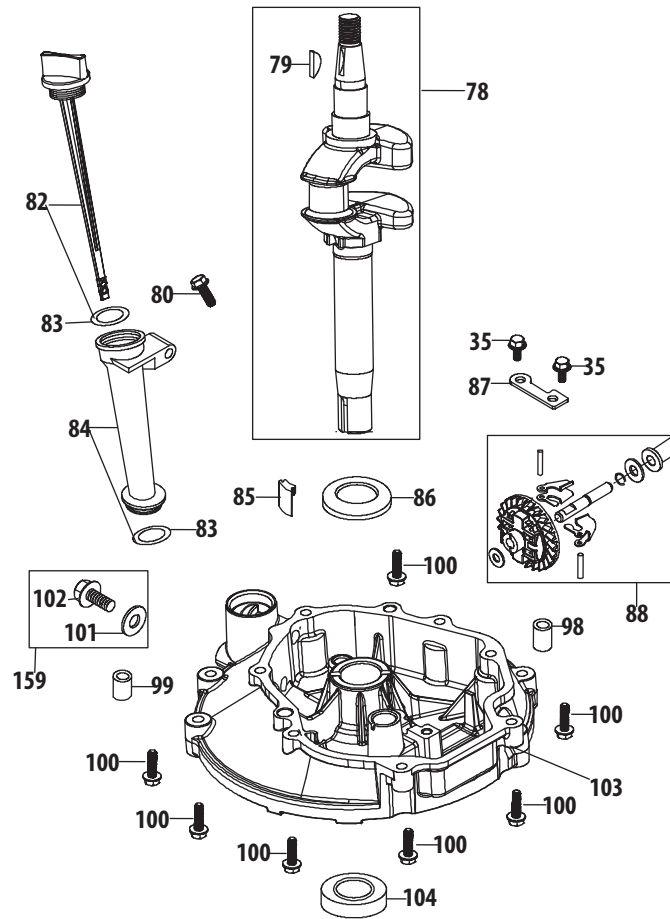
161 - Gasket Kit - Complete

162 - Gasket Kit - External

1X65CU Crankcase

Ref.	Part Number	Description	Ref.	Part Number	Description
31	710-04919	Bolt M6x25 Cover Plate	70	951-14413	Component Bracket
32	951-14597	Engine Brake Cover Plate	71	951-14606	Ignition Switch Ground Wire
33	710-04918	Bolt M6x20 Ignition Coil	72	951-11520	Breather Hose Assembly
34	951-14598	Ignition Coil Assembly	73	726-04101	Breather Hose Clamp
35	710-04916	Bolt M6X14 Multi-Purpose	75	951-14415	Crankcase Cover Gasket
36	951-14404	Breather Cover Plate	76	951-14617	Short Block
37	951-14405	Breather Gasket			(Incl.35-41,59-61,75-79,83,85-88,
38	951-11596	Upper Crankshaft Seal			98,99,101-104,114,117,118,134,
39	951-11730	Breather Screen			137,140,141,143-145,
40	732-04718	Breather Valve Spring			150-153,156)
41	951-11614	Breather Valve	77	951-11369	Main Bearing
51	710-04915	Bolt M6X12 Multi-Purpose	145	951-14433	Piston Ring Set
57	951-14409	Throttle Linkage Spring	150	951-11603	Piston Pin Snap Ring
58	951-14410	Throttle Linkage	151	951-14434	Piston
59	714-04074	Governor Arm Shaft Cotter Pin	152	951-14435	Piston Pin
60	951-11574	Governor Seal	153	951-14436	Connecting Rod Assembly
61	951-14416	Governor Arm Shaft	156	710-05115	Connecting Rod Bolt
62	951-14412	Governor Arm Assembly	160	952Z1X65CU	Complete Engine
64	710-04908	Governor Arm Bolt	161	951-14614	Gasket Kit - Complete
65	712-05015	Governor Arm Nut M6			(Incl.37,38,60,75,83,101,104,114,
66	951-14411	Governor Spring			116,117,118,134,137,140)
67	951-14603	Ignition Switch	162	951-14615	Gasket Kit -External
68	951-14604	Choke Control			(Incl.37,83,101,114,116,117,
69	951-14605	Air Vane Cover Plate			118,134,137)

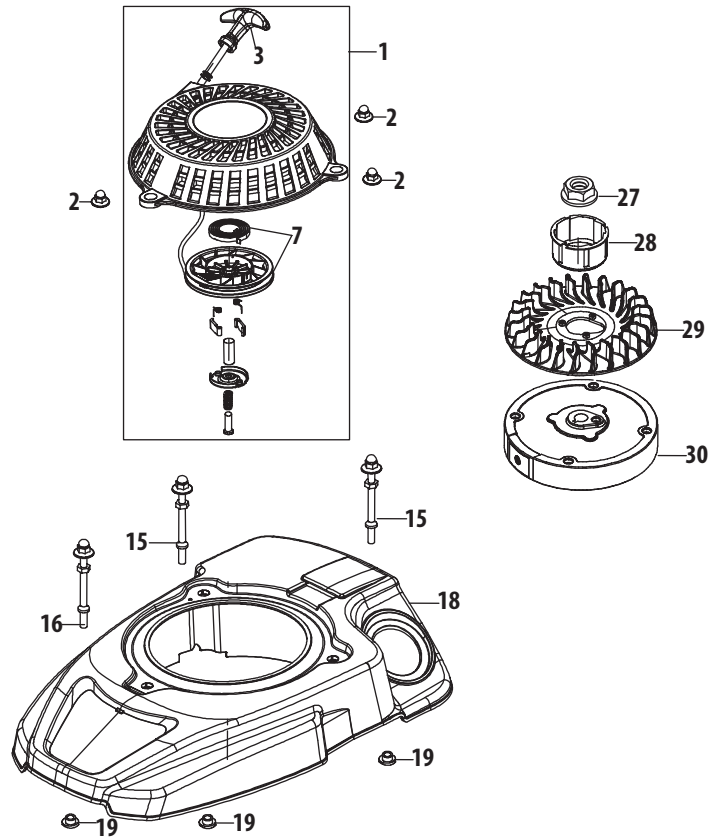
1X65CU Crankshaft



Ref.	Part Number	Description
35	710-04916	Bolt M6X14 Multi-Purpose
78	951-14607	Crankshaft Assembly
79	951-10307	Flywheel Key
80	710-04980	Bolt M6X35 Af Base/Brake/Dipstick
82	951-14612	Oil Dipstick Assembly
83	951-11547	Dipstick / Oil Fill Tube O-Ring
84	951-14613	Oil Fill Tube Assembly
85	951-11733	Oil Return Seal
86	736-04491	Crankshaft Thrust Washer
87	951-11609	Governor Gear Mounting Plate

Ref.	Part Number	Description
88	951-11549	Governor Gear/Shaft Assembly
98	715-04096	Crankcase Cover Dowel Pin 7x14
99	715-04089	Crankcase Cover Dowel Pin 9x14
100	710-04931	Bolt M6X28 X65/P65 Crankcase
101	736-04454	Oil Drain Plug Washer
102	951-11499	Oil Drain Plug
103	951-14418	Crankcase Cover
104	951-11545	Lower Crankshaft Seal
159	951-10370	Oil Drain Plug & Washer Ass'Y

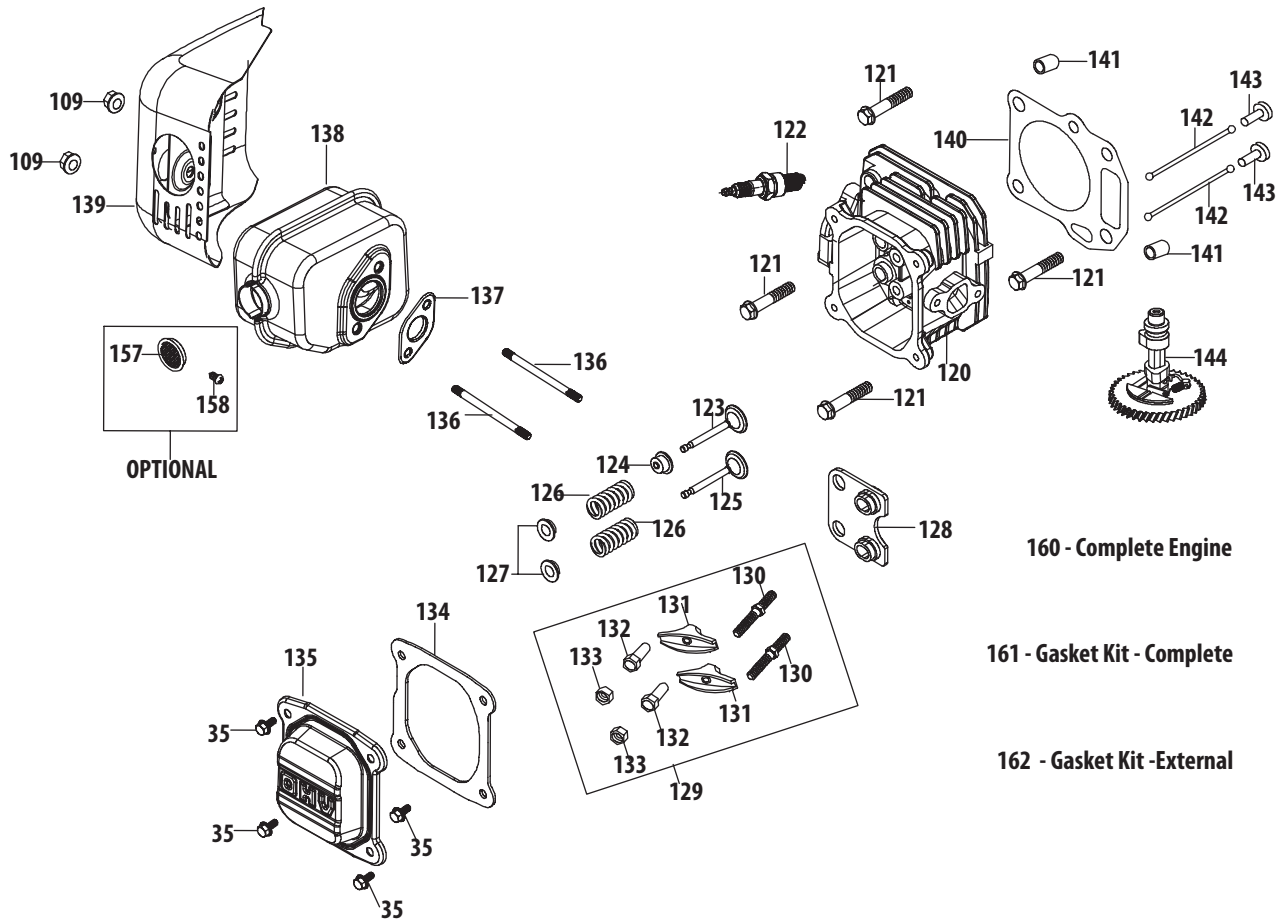
1X65CU Flywheel & Shroud



Ref.	Part Number	Description
1	951-14396	Recoil Starter Assembly
2	712-04290	Starter Acorn Nut
3	731-07925	Starter Handle
7	951-11721	Recoil Pulley & Spring Ass'Y
15	951-14397	Starter/Shroud Rear Stud M6x78.5
16	951-14398	Starter/Shroud Front Stud M6x74

Ref.	Part Number	Description
18	951-14399	Engine Shroud
19	750-05320	Engine Shroud Spacer
27	712-04287	Flywheel Nut M14
28	951-12161	Starter Cup
29	951-10934	Cooling Fan
30	951-14596	Flywheel

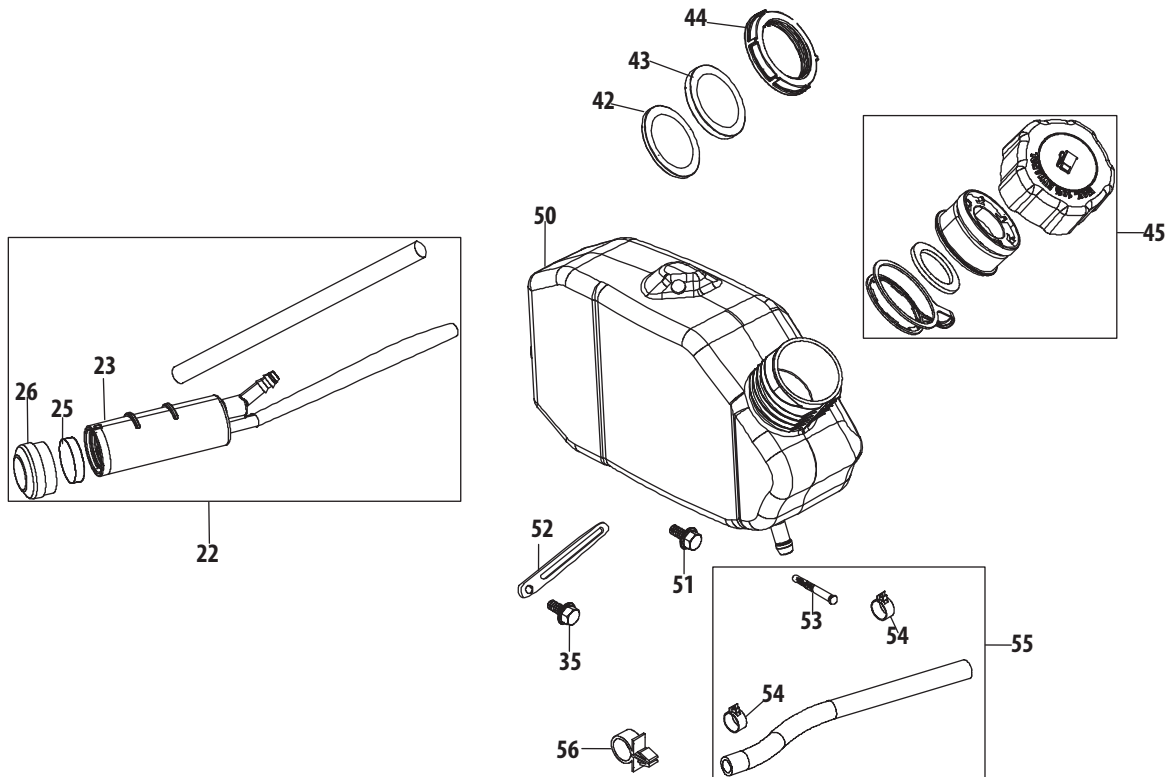
1X65CU Cylinder Head



1X65CU Cylinder Head

Ref.	Part Number	Description	Ref.	Part Number	Description
35	710-04916	Bolt M6X14 Multi-Purpose	135	951-14609	Valve Cover
109	712-05015	Nut M6X10Mm Starter/Carb/Muff	136	951-10342	Muffler Stud Assy
120	951-14448	Cylinder Head Asm (Incl.117,118,120,123-134,137,140)	137	951-14427	Muffler Gasket
	951-14445	Cylinder Head Service Kit (Incl.121,124,134,140)	138	951-10403	Muffler Assembly
121	710-04982	Bolt M8X54 Cylinder Head	139	951-14430	Muffler Shield
122	951-14437	Spark Plug/F5Rtc	140	951-14431	Cylinder Head Gasket
123	951-10313	Valve Kit	141	715-04108	Cylinder Head Dowel Pin 10x16
124	951-11818	Intake Valve Seal	142	951-10314	Push Rod Kit
125	951-10313	Valve Kit	143	951-14432	Tappet
126	951-12004	Valve Spring	144	951-11741	Camshaft Assembly
127	951-11977	Valve Spring Retainer	157	951-10351	Spark Arrestor
128	951-11687	Push Rod Guide	158	710-04983	Spark Arrestor Screw
129	951-11606	Rocker Arm Assembly	160	952Z1X65CU	Complete Engine
130	710-04902	Rocker Arm Stud	161	951-14614	Gasket Kit - Complete (Incl.37,38,60,75,83,101,104,114, 116,117,118,134,137,140)
131	951-12001	Rocker Arm	162	951-14615	Gasket Kit -External (Incl.37,83,101,114,116,117, 118,134,137)
132	751-11123	Fulcrum Nut			
133	751-11124	Jam Nut			
134	951-11551	Valve Cover Gasket			

1X65CU Fuel Tank



Ref.	Part Number	Description
22	951-14442	Carbon Canister Assembly
23	951-14126	Carbon Canister
25	951-14400	Carbon Canister Filter
26	951-14127	Carbon Canister Filter Cap
35	710-04916	Bolt M6X14 Multi-Purpose
42	731-08133	Fuel Tank Lower Grommet
43	951-14406	Fuel Tank Upper Grommet
44	731-08104	Fuel Tank Nut
45	951-14407	Fuel Cap Assembly
50	931-04629	Fuel Tank
51	710-04915	Bolt M6X12 Multi-Purpose
52	951-11680	Flexible Clamp, Vent Hose
53	751-10358A	Fuel Line Kit
54	951-11700	Fuel Hose Clamp
55	951-14438	Fuel Hose
56	723-04071	Plastic Support Clamp



To order replacement parts or locate your nearest service dealer call a Customer Support at (800) 800-7310.
or visit www.mtdproducts.com to find the nearest authorized dealer in your area.

MTD LLC, P.O. BOX 361131 CLEVELAND, OHIO 44136-0019
