



10-TON HYDRAULIC LOG SPLITTER

Model LJ10M

Form No. SJ-LJ10M-880E-M

A Division of Snow Joe®, LLC

OPERATOR'S MANUAL

IMPORTANT! Safety Instructions

All Operators Must Read These Instructions Before Use

The operator must read and understand all safety and warning information, operating instructions, maintenance, and storage instructions before operating this equipment. Failure to properly operate and maintain the log splitter could result in serious injury to the operator or bystanders.

⚠ DANGER! This symbol indicates a hazardous situation, which, if not followed, will result in serious injury or death.

⚠ WARNING! This symbol indicates a hazardous situation, which, if not avoided, could result in serious injury or death.

⚠ CAUTION! This symbol indicates a hazardous situation, which, if not avoided, could result in minor or moderate injury.

General Safety Warnings!

Anyone who intends to operate this tool must read and understand all the safety and other information contained in this manual before first use. Save this manual and review it frequently prior to using this tool and when instructing others on the proper operating procedures.

- 1. Keep work area clean and well-lit** – Set up the equipment and use it only on a flat and level surface in an outdoor, well-ventilated area.
- 2. Replacement parts** – When servicing this unit, use only identical replacement parts.
- 3. Keep children, bystanders, and pets away** – All spectators, including pets, should be kept a safe distance away from the work area.
- 4. Dress properly** – Do not wear loose clothing or jewelry as such articles can become caught in moving parts. Wear a protective covering to contain long hair. Wearing rubber gloves and substantial non-slip footwear is recommended when working outdoors.
- 5. Wear personal protective equipment** – When using this tool, wear safety glasses with side shields or goggles to provide necessary eye protection. Wear ear defenders to prevent hearing damage when necessary. Use a face or dust mask if the work environment is dusty.
- 6. Store idle tool indoors** – When not in use, the log splitter should be stored indoors in a dry and high or locked-up place out of the reach of children.
- 7. Maintain the log splitter with care** – Keep the log splitter clean for optimal performance and to reduce the risk of injury. Follow the additional recommendations described in the maintenance section of this manual.
- 8. Use the right tool** – Do not use the tool for any job except that for which it is intended.
- 9. Stay alert** – Watch what you are doing. Use common sense. Do not operate the log splitter when you are tired or under the influence of drugs, alcohol, or other medication.

Operation Warnings

- Do not at any time carry passengers, sit, or stand on the log splitter.
- Do not allow children to play on, stand upon, or climb on the log splitter.
- Always inspect the log splitter before using to ensure it is in proper working order.
- Replace or repair damaged or worn parts immediately.
- Always use the splitter on a flat and level surface.
- Always check and tighten hardware and assembled parts before operation.
- Only use the log splitter for its intended purpose: splitting logs.
- Do not exceed the maximum permitted log length of 18 in. (45.7 cm) or the maximum permitted log diameter of 8 in. (20.3 cm).
- Always split wood in the direction of the grain. Do not split wood against the grain.
- Do not exceed the equipment's maximum load capacity of 10 tons.
- Never leave the log splitter unattended while operating the equipment.
- Keep area around the log splitter clear of debris to prevent injury.
- Always clear away wood pieces from the work area before splitting another log.
- Do not tow the log splitter with any motorized vehicles, such as lawn and garden tractors or ATVs.

Crush + Cut Hazards

- Always keep hands and feet clear from moving and cutting parts while operating the equipment.
- Always clear the work area and keep it clean and free of debris when operating the log splitter.
- Always wear safety gear, including eye protection, heavy-duty gloves, and steel-toed boots, when operating the log splitter.

⚠WARNING! The warnings, cautions, and instructions outlined in this instruction manual cannot cover all possible conditions or situations that may occur. It must be understood by the operator that common sense and caution are factors that cannot be built into this product and must be supplied by the operator.

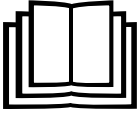








⚠PROP 65 WARNING! This product contains chemicals known to the state of California to cause cancer, birth defects, or other reproductive harm.

Wood Condition

- This log splitter is designed to split standard size logs [max log diameter: 8 in. (20.3 cm); max log length 18 in. (45.7 cm)]. Do not split oversized logs.
- Do not attempt to split “hard” wood that requires more than 5 seconds to split.
- Check the log prior to splitting to ensure it is free from foreign objects that may be projected or cause damage to the machine (ie.: nails, wire, etc.).
- Ensure that the end of the log is cut square and all branches have been cut flush.

Safety Symbols

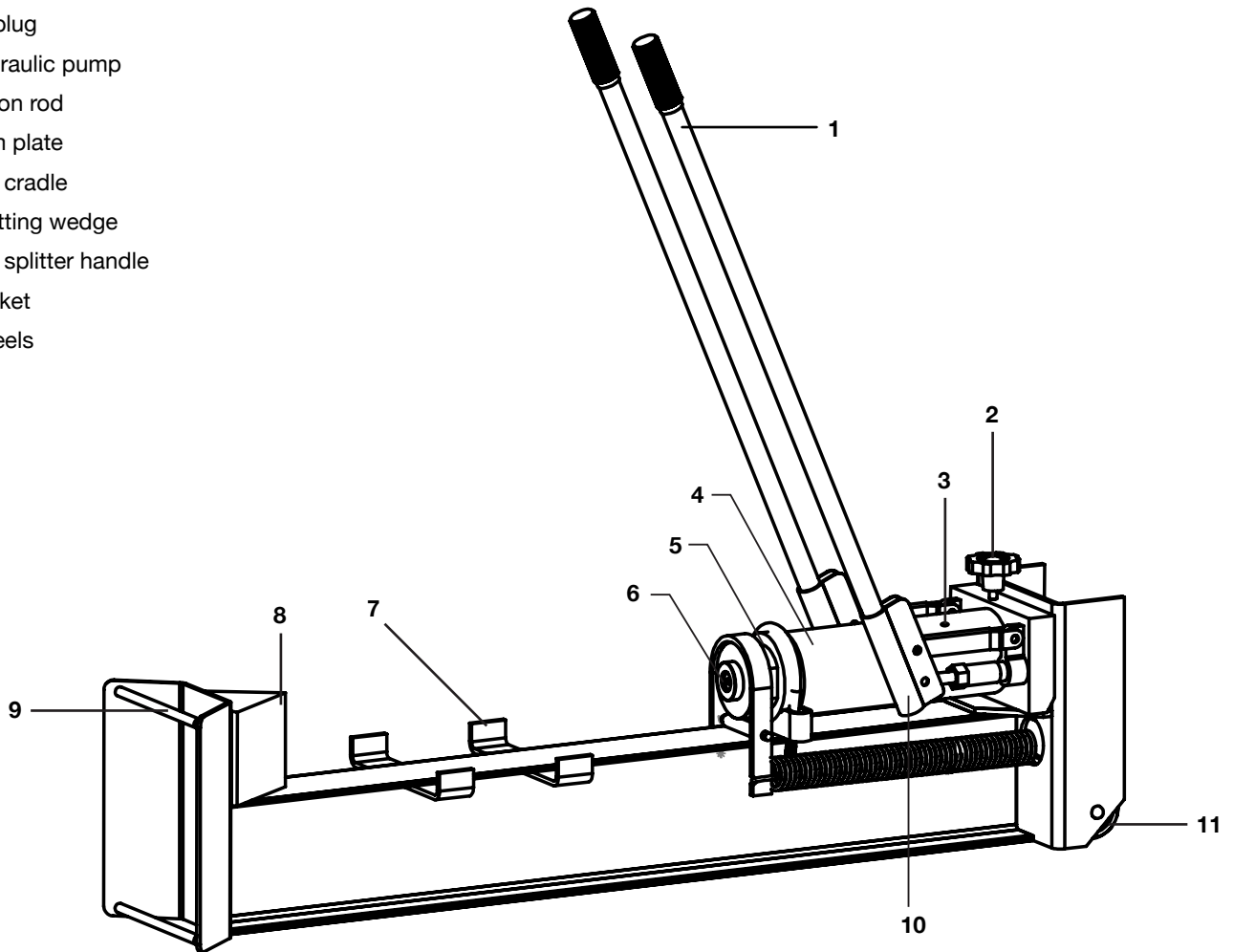
The following table depicts and describes safety symbols that may appear on this product. Read, understand, and follow all instructions on the machine before attempting to assemble and operate.

Symbols	Descriptions	Symbols	Descriptions
	READ THE OPERATOR'S MANUAL(S) – Read, understand, and follow all instructions in the user manual(s) before attempting to assemble and operate.		Keep bystanders and children a safe distance away.
	SAFETY ALERT – Indicates a precaution, a warning, or a danger.		WARNING! Do not expose the unit to rain or wet conditions.
	WARNING! Always be aware of the movement of the log splitter.		WEAR EYE AND HEARING PROTECTION – For protection against injury, wear ear defenders and safety goggles.
	Moving parts can crush and cut hands and fingers. Keep hands clear of the ram plate, wedge, and logs while splitting.	 	Wear heavy-duty gloves and steel-toed boots when using the machine and handling debris.

Know Your Log Splitter

Read the owner's manual and safety instructions carefully before operating the log splitter. Compare the illustration below to the log splitter in order to familiarize yourself with the location of the various controls and adjustments. Save this manual for future reference.

1. Operating handles
2. Hand wheel
3. Oil plug
4. Hydraulic pump
5. Piston rod
6. Ram plate
7. Log cradle
8. Splitting wedge
9. Log splitter handle
10. Socket
11. Wheels



Technical Data

Splitting Force (Max)	10 ton	Hydraulic Cylinder Size (Length x Diameter)	9.92 in. x 2.05 in. (25.2 cm x 5.2 cm)
Ram Force/Continuous Force	10 ton	Hydraulic Rod Size (Length x Diameter)	11.55 in. x 1.69 in. (29.3 cm x 4.3 cm)
Material	Steel	Hydraulic Capacity	0.17 gal (0.64 l)
Log Length (Max)	18 in. (45.7 cm)	Wheel Size	2.48 in. (6.3 cm)
Log Diameter (Max)	8 in. (20.3 cm)	Weight	87 lbs (39.5 kg)
Wedge	3.94 in. (10 cm)		
Beam	5.5 in. (14 cm)		

Unpacking

Carton Contents

- Log splitter
- Operating handles (2)
- Manuals with registration card

1. Carefully remove the log splitter and check to see that all of the above items are supplied.
2. Inspect the product carefully to make sure no breakage or damage occurred during shipping. If you find damaged or missing parts, DO NOT return the unit to the store. Please call the Snow Joe® + Sun Joe® customer service center at 1-866-SNOWJOE (1-866-766-9563).

NOTE: Do not discard the shipping carton and packaging material until you are ready to use the log splitter. The packaging is made of recyclable materials. Properly dispose of these materials in accordance with local regulations.

IMPORTANT! The equipment and packaging material are not toys. Do not let children play with plastic bags, foils, or small parts. These items can be swallowed and pose a suffocation risk!

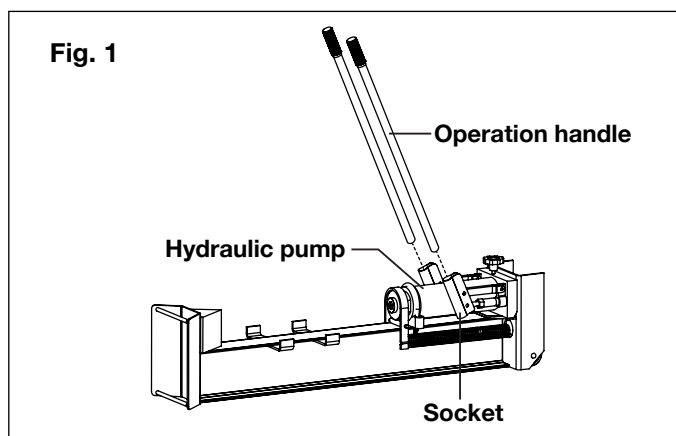
Assembly

IMPORTANT! This product requires some assembly before use. Due to the weight and/or size of the log splitter, it is recommended that another adult be present to assist with the assembly.

CAUTION! Read and follow all instructions for assembly and operation. Failure to properly assemble this log splitter could result in serious injury to the user or bystanders, or cause equipment damage.

Attaching the Handles

1. Insert the operation handles into the sockets on the hydraulic pump (Fig. 1).



Operation

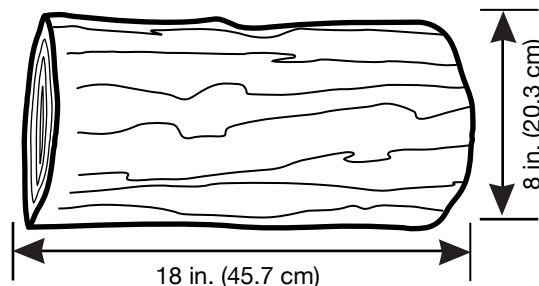
WARNING! Before using the log splitter, review the instructions below and all safety information. Failure to follow these instructions may result in property damage or injury to the operator or bystanders.

Splitting Operation + Additional Safety Instructions

Follow these instructions to operate the log splitter:

1. Ensure all logs meet the proper size requirements [(max log diameter: 8 in. (20.3 cm); max log length: 18 in. (45.7 cm)].

IMPORTANT! Logs vary in hardness and structure. Small logs with knots or harder wood may be more difficult to split. Larger logs with less hardness may not be difficult to split. Do not force the log splitter if the log fails to split on the first attempt.



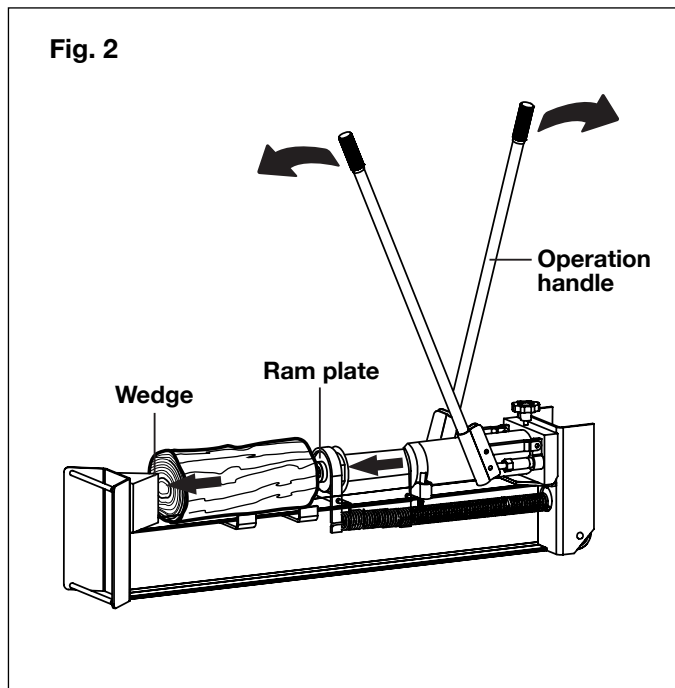
2. When loading or positioning a log, always handle the bark side; never handle the ends. Never place your hands or body parts between the log and the splitter.
3. Never load or unload logs while the ram is moving.
4. Do not pile logs to be split in a place where you need to reach across the splitter in order to load them.
5. Log ends need to be cut square (at a 90° angle) so that they do not slide out when splitting and cause a safety hazard, and so that they do not exert excessive force on the log splitter components. Use a chain saw (not included), like the Sun Joe® Saw Joe electric chain saws (models SWJ698E, SWJ699E, SWJ700E, SWJ701E; visit snowjoe.com to purchase online), to cut the logs ends square before attempting to split them.
6. Never attempt to split more than one log at a time. A piece of a log can unexpectedly be thrown from the machine, which can result in severe personal injury.
7. Do not use if there is any indication of damage to the hydraulic cylinder.
8. Do not use the splitter to split logs across the grain or against the bark. Doing so will damage the log splitter and could cause log pieces to be thrown, injuring the operator or bystanders.

⚠️ WARNING! Accidents occur when there is more than one person involved in loading and operating the log splitter; only one person should operate the splitter. If a second person is assisting in loading the splitter, NEVER allow an assistant to hold the log in place while the operator is using the unit.

Using the 10-Ton Log Splitter

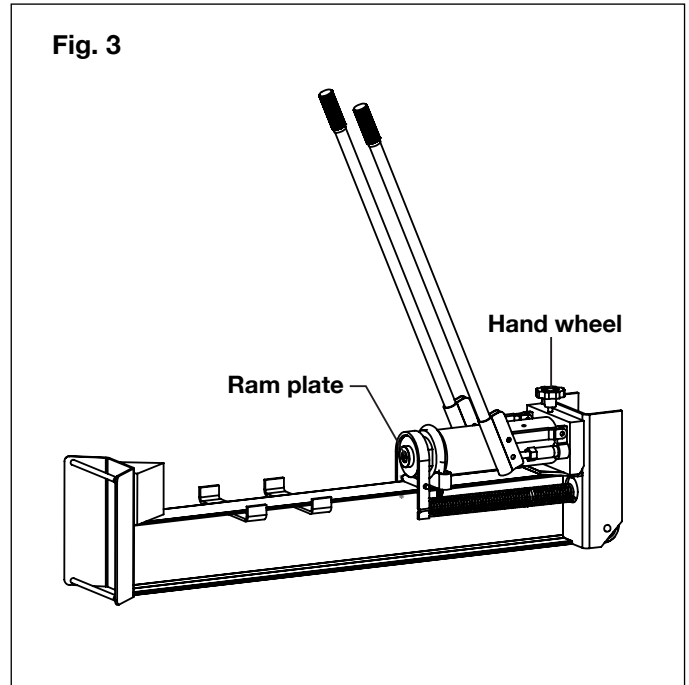
1. Load the log lengthwise into the unit between the wedge and the ram plate. Be sure that the split will be along the grain.
2. Grip one handle in each hand and pump the handles back and forth in opposite directions. This contrary motion will force the log against the wedge (Fig. 2).

⚠️ DANGER! Always operate the unit from the side of the operation handles, furthest from the wedge and the splitting log.



3. Remove the split pieces.
4. Turn the hand wheel counterclockwise no more than one full turn to relieve the pressure and retract the ram (Fig. 3).

5. Turn the hand wheel clockwise until it is snug (Fig. 3). You are now ready to split the next log.



⚠️ WARNING! NEVER attempt to remove a stuck log from the splitter by forcing the use of the hydraulic ram to split the log.

⚠️ WARNING! NEVER modify the log splitter or add attachments to the log splitter.

Removing a Jammed Log

If the log gets stuck on the wedge base, or the wedge becomes embedded in the log and will not completely split or separate from the log, follow the directions below to remove the log:

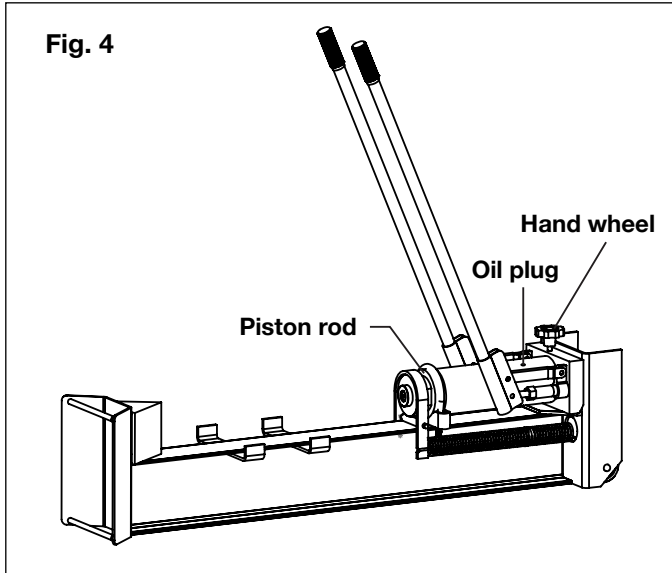
1. Fully retract the ram.
2. Remove the jammed log from the wedge manually with a pry bar.

⚠️ CAUTION! Be extremely careful as log pieces may fly off as they separate from the wedge.

3. Do not attempt to re-split a jammed log once it has been removed from the wedge.
4. Manually split the log with a maul or cut it with a chain saw.

Bleeding the Log Splitter

1. Extend the ram to its maximum length.
2. Remove the oil plug and make sure the oil level is full. If needed, add more hydraulic oil to the hydraulic pump (Fig. 4).



3. Turn the hand wheel counterclockwise as fast as possible. The piston rod will retract into the hydraulic pump and push the air out of the cylinder via the oil plug hole.
4. Check the oil level again, and if needed, add more hydraulic oil.
5. Replace the oil plug and repeat steps 1-3 as needed.
6. To add oil, remove the oil plug and add oil to just below the fill plug.
7. Replace the oil plug completely

Maintenance

⚠ WARNING! Periodically apply a light coat of rustresistant oil, such as 3-in-1 oil or WD-40, to the springs to keep them in proper working order.

- Periodically check all fasteners for tightness.
- Annually clean and lightly lubricate parts.
- Use a glossy enamel spray paint to touch up scratched or worn painted metal surfaces.
- Never exceed the load capacity rating of 10 tons; doing so will damage the log splitter and void the manufacturer's warranty.

IMPORTANT! If a part needs replacement, only use parts that are specifically recommended by the manufacturer. Replacement parts that do not meet these specifications may result in a safety hazard, may compromise the tool's performance, and will void the manufacturer's warranty.

Storage

- Before storing, make sure the log splitter is clean and dry. Such upkeep is necessary to ensure years of trouble-free performance.
- Make sure the ram is completely retracted prior to storing the unit. Relieve any pressure by turning the hand wheel counterclockwise, then retighten by turning the hand wheel clockwise.
- Lightly lubricate all metal surfaces before storing.
- Store indoors or in a dry, protected area during severe weather and during the winter months.
- Examine the log splitter thoroughly for worn, loose, or damaged parts. Should you need to repair or replace a part, contact an authorized Snow Joe® + Sun Joe® dealer or call the Snow Joe® + Sun Joe® customer service center at 1-866-SNOWJOE (1-866-766-9563) for assistance.

Service and Support

If your Sun Joe® Logger Joe LJ10M log splitter requires service or maintenance, please call the Snow Joe® + Sun Joe® customer service center at 1-866-SNOWJOE (1-866-766-9563).

Model and Serial Numbers

When contacting the company, reordering parts, or arranging service from an authorized dealer, you will need to provide the model and serial numbers, which can be found on the decal located on the housing of the unit. Copy these numbers into the space provided below.

Record the following numbers from the housing or handle of your new product:	
Model #:	L J 1 0 M
Serial #:	_____

Troubleshooting

Problem	Possible Cause	Solution
<p>Ram will not move.</p>	<ol style="list-style-type: none"> 1. Hand wheel is open. 2. Wedged wood under ram. 3. Blocked hydraulic lines. 4. Blocked control valve. 5. Damaged control valve. 6. Damaged cylinder piston. 	<ol style="list-style-type: none"> 1. Turn hand wheel clockwise until snug. 2. Remove any foreign objects from below the ram. 3. Flush and clean the splitter's hydraulic system. 4. Flush and clean the splitter's control valve. 5. Contact an authorized Snow Joe® + Sun Joe® dealer or call the Snow Joe® + Sun Joe® customer service center at 1-866-SNOWJOE (1-866-766-9563). 6. Contact an authorized Snow Joe® + Sun Joe® dealer or call the Snow Joe® + Sun Joe® customer service center at 1-866-SNOWJOE (1-866-766-9563).
<p>Slow ram speed when extending or retracting.</p>	<ol style="list-style-type: none"> 1. Slow pumping of the operating handles. 2. Air or air bubbles in oil reservoir. 3. Damaged control valve. 4. Internal control valve leak. 5. Internally damaged cylinder. 	<ol style="list-style-type: none"> 1. Move operating handles at a faster pace. 2. Purge air from the splitter's hydraulic system. 3. Contact an authorized Snow Joe® + Sun Joe® dealer or call the Snow Joe® + Sun Joe® customer service center at 1-866-SNOWJOE (1-866-766-9563). 4. Contact an authorized Snow Joe® + Sun Joe® dealer or call the Snow Joe® + Sun Joe® customer service center at 1-866-SNOWJOE (1-866-766-9563). 5. Contact an authorized Snow Joe® + Sun Joe® dealer or call the Snow Joe® + Sun Joe® customer service center at 1-866-SNOWJOE (1-866-766-9563).
<p>Wood will not split, or splits extremely slowly.</p>	<ol style="list-style-type: none"> 1. Air or air bubbles in oil reservoir. 2. Excessive control valve inlet vacuum. 3. Low control valve setting. 4. Internal control valve leak. 5. Internally damaged cylinder. 	<ol style="list-style-type: none"> 1. Check for excessive air in hydraulic reservoir. 2. Check control valve inlet hose for blockage or kinks. 3. Contact an authorized Snow Joe® + Sun Joe® dealer or call the Snow Joe® + Sun Joe® customer service center at 1-866-SNOWJOE (1-866-766-9563). 4. Contact an authorized Snow Joe® + Sun Joe® dealer or call the Snow Joe® + Sun Joe® customer service center at 1-866-SNOWJOE (1-866-766-9563). 5. Contact an authorized Snow Joe® + Sun Joe® dealer or call the Snow Joe® + Sun Joe® customer service center at 1-866-SNOWJOE (1-866-766-9563).

NOTES



SNOW JOE® + SUN JOE® CUSTOMER PROMISE

ABOVE ALL ELSE, Snow Joe® + Sun Joe® are dedicated to you, our customer. We strive to make your experience as pleasant as possible. Unfortunately, there are times when a product does not work or breaks under normal operating conditions. We think it's important that you know what you can expect from us. That's why we created the Snow Joe® + Sun Joe® promise.

OUR PROMISE: Snow Joe® + Sun Joe® warrant new products for two years from the date of purchase. If your product does not work, or there's an issue with a specific part, we will fix this by either sending you a free replacement part or by sending you a new or comparable product at no charge. How cool is that! Before you know it, you'll be back in action cutting, sawing, mowing, washing and...?

GENERAL CONDITIONS:

Snow Joe® + Sun Joe® operating under Snow Joe®, LLC warrants this new product to the original purchaser for two years against defects in material or workmanship when used for normal residential purposes. If a replacement part or product is needed, it will be sent free of charge to the original purchaser except as noted below.

The duration of this warranty applies only if the product is put to personal use around the household. If the product is put to any business, commercial or industrial use or is rented or leased, then the duration of this warranty is 90 days from the date of original purchase. It is the owner's responsibility to correctly perform all maintenance and minor adjustments explained in the owner's manual.

HOW TO OBTAIN YOUR REPLACEMENT PART OR PRODUCT:

To obtain a replacement part or product, please visit snowjoe.com/help or email us at help@snowjoe.com for instructions. Please be sure to register your unit beforehand to speed up this process. Certain products may require a serial number, typically found on the decal affixed to the housing or guard of your product. All products require a valid proof of purchase.

EXCLUSIONS:

- Wearing parts like belts, augers, chains and tines are not covered under this warranty. Wearing parts can be purchased at snowjoe.com or by calling 1-866-SNOWJOE (1-866-766-9563).
- Batteries are covered in full for 90-days from the date of purchase.

Snow Joe® + Sun Joe® may from time to time change the design of its products. Nothing contained in this warranty shall be construed as obligating Snow Joe® + Sun Joe® to incorporate such design changes into previously manufactured products, nor shall such changes be construed as an admission that previous designs were defective.

This warranty is intended to cover product defects only. Snow Joe®, LLC is not liable for indirect, incidental or consequential damages in connection with the use or misuse of the Snow Joe® + Sun Joe® products covered by this warranty. This warranty does not cover any cost or expense incurred by the purchaser in providing substitute equipment or service during reasonable periods of malfunction or non-use of this product while waiting for a replacement part or unit under this warranty. Some states do not allow exclusions of incidental or consequential damages so the above exclusions may not apply in all states. This warranty may give you specific legal rights in your state.

HOW TO REACH US:

We're here to help Monday through Friday from 9AM to 6PM EST. You can reach us at 1-866-SNOWJOE (1-866-766-9563), online at snowjoe.com, via email at help@snowjoe.com or tweet us @snowjoe.

EXPORTS:

Customers who have purchased Snow Joe® + Sun Joe® products exported from the United States and Canada should contact their Snow Joe® + Sun Joe® distributor (dealer) to obtain information applicable to your country, province or state. If for any reason, you are not satisfied with the distributor's service, or if you have difficulty obtaining warranty information, contact your Snow Joe® + Sun Joe® seller. If in the event your efforts are unsatisfactory, please reach out to us directly.



snowjoe.com