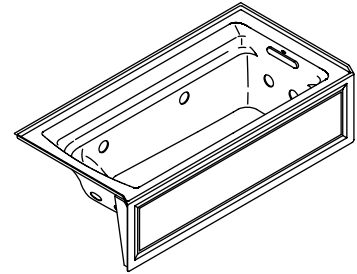


Features

- Acrylic
- 8 color-matched jets
- Integral apron with removable access panel
- 1.25 hp pump with air switch and grounding-type plug-in cord
- Integral tile flange
- Left or right drain
- Slotted overflow for maximum bathing depth
- Low threshold height
- Integral lumbar support
- Armrests
- 72" (182.9 cm) x 36" (91.4 cm) x 19" (48.3 cm)

6' (1.8 m) BATH WHIRLPOOL WITH INTEGRAL APRON K-1124-LA ALSO K-1124-RA



Codes/Standards Applicable

Specified model meets or exceeds the following:

- ANSI Z124.1.2
- IAPMO/UPC
- Underwriters Laboratories (UL)
- ASME A112.19.7M

Colors/Finishes

- 0: White
- Other: Refer to Price Book for additional colors/finishes

Accessories

- 0: White
- CP: Polished Chrome
- Other: Refer to Price Book for additional colors/finishes

Specified Model

Model	Description	Colors/Finishes	
K-1124-LA	Bath whirlpool with integral apron, left drain	<input type="checkbox"/> 0	<input type="checkbox"/> Other _____
K-1124-RA	Bath whirlpool with integral apron, right drain	<input type="checkbox"/> 0	<input type="checkbox"/> Other _____
Required Accessories			
K-7272	Bath drain – above or through-the-floor installation	<input type="checkbox"/> CP	<input type="checkbox"/> Other _____
Optional Accessories			
K-9529	Removable bath seat	<input type="checkbox"/> 0	

Product Specification

The acrylic bath whirlpool shall be 72" (182.9 cm) in length, 36" (91.4 cm) in width, and 19" (48.3 cm) in height. Product shall feature 8 color-matched jets and armrests. Product shall feature an 1.25 hp pump with air switch and grounding-type plug-in cord. Product shall feature an integral apron with removable access panel, and integral tile flange. Product shall be available with left or right drain. Product shall feature a slotted overflow for maximum bathing depth, low threshold height, and integral lumbar support. Bath whirlpool shall be Kohler Model K-1124-_____-_____-_____.

ARCHER™

Technical Information

Fixture*:	
Bathing well	
Basin area bottom	51-3/8" (130.5 cm) x 21" (53.3 cm)
Basin area top	64-1/2" (163.8 cm) x 30-1/2" (77.5 cm)
Weight	135 lbs (61.2 kg)
To overflow	
Water depth	15" (38.1 cm)
Capacity	72 gal (273 L)
* Approximate measurements for comparison only.	

Pump:	Hp	V	Hz	A
1-speed	1.25	120	60	7

Pump is supplied with 24" (61 cm) grounding-type plug-in cord.

Required Electrical Service

Dedicated circuit required, protected with a Class A Ground-Fault Circuit-Interrupter (GFCI):	
Pump/control	120 V, 15 A, 60 Hz
Locate the outlet behind the whirlpool and within 24" (61 cm) of the pump.	

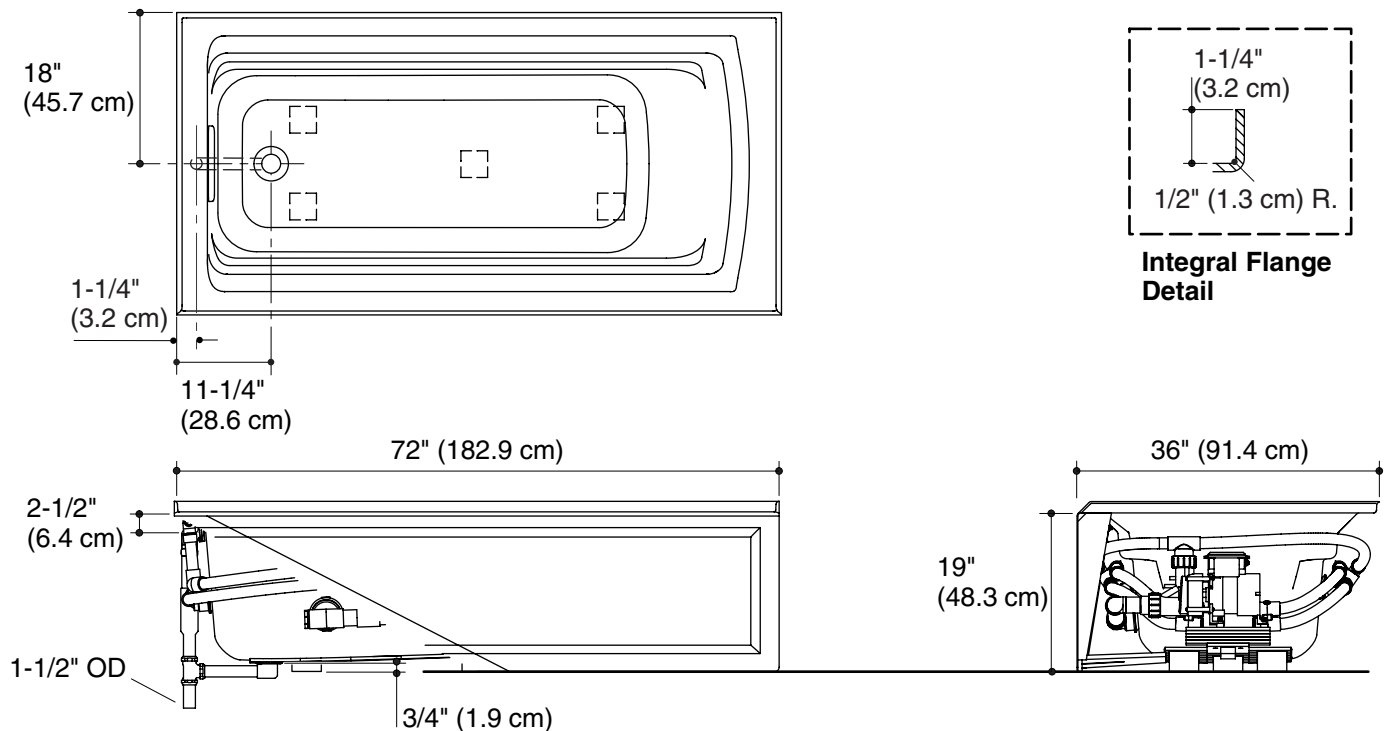
Installation Notes

Install this product according to the installation guide.

Floor support under this product must provide for a minimum of 43 lbs/square foot (210 kg/square meter) loading.

The hot water supply should be 70% of the capacity of the bath or greater. Installations will vary.

No change in measurements if connected with drain illustrated. (K-7272)



Product Diagram

ARCHER™ 6' (1.8 m) BATH WHIRLPOOL WITH INTEGRAL APRON

Page 2 of 2
1071366-4-C

THE BOLD LOOK
OF **KOHLER**®