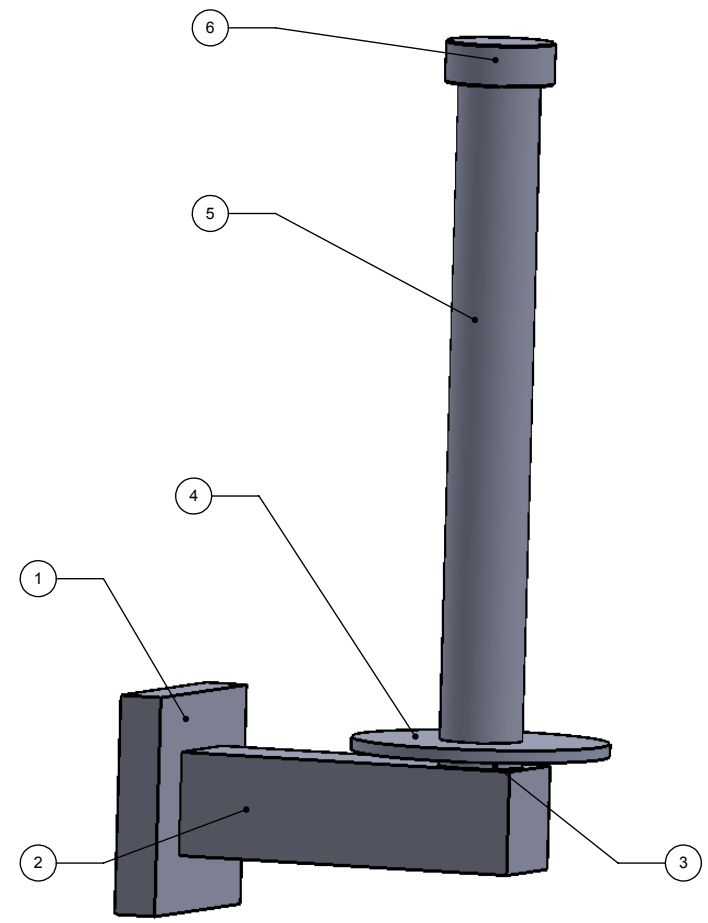
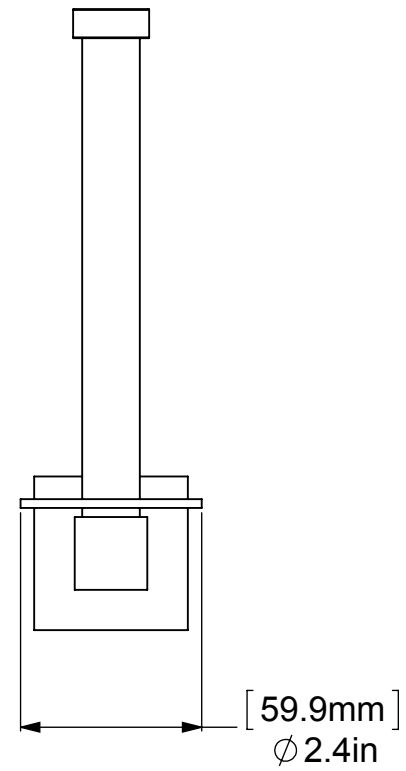
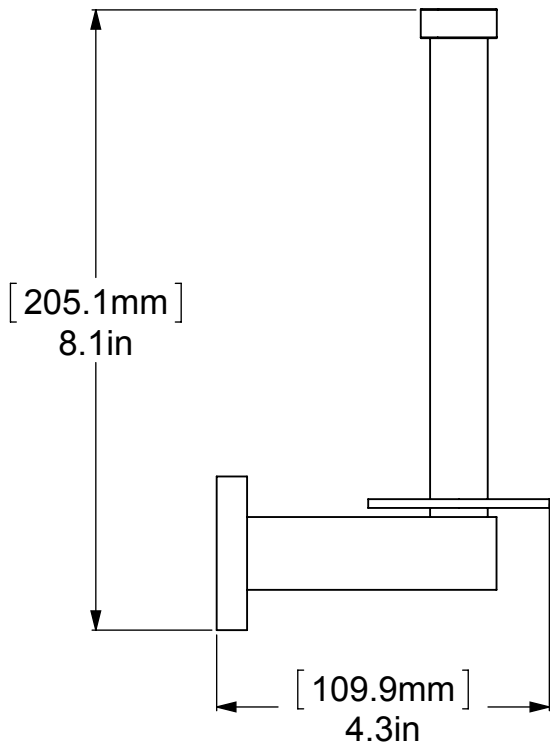


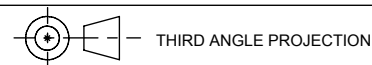
ITEM NO.	P/N	Description	QTY.
1	BPSQ	BACKPLATE	1
2	TBSQ-3.25	Neck	1
3	TU34-.7	TUBE BASE	1
4	DSFL-2.375	PLATE	1
5	TU34-6	TUBE UPRIGHT	1
6	CARD-1	END CAP	1



UNLESS OTHERWISE STATED

.X	± .3mm
.XX	± .15mm
.XXX	± .008mm

COPYRIGHT © Allied Brass 2016



DRAWN	6/9/2016	I.M
CHECKED	6/9/2016	P.D
APPROVED	6/9/2016	R.A

MATERIAL:	BRASS
DESCRIPTION:	TOILET TISSUE HOLDER



FINISH	TBD
QUANTITY	TBD
DRAWING No.	REV
MT-24U	0
SCALE	1:2.5
SHEET: 01	A4