

Item # 641134
Model #5310-WH

Installation Guide

Low Voltage Recessed Cable Plate w/ Duplex Receptacle

PACKAGE CONTENTS

- A - Low Voltage Recessed Cable Plate
- B - Old Work Electrical Box
- C - 15 Amp/125 Volt Tamper Resistant Receptacle
- D- Four (4) Screws

TOOLS NEEDED

- #2 Phillips Head Screwdriver
- Stud Finder
- Drywall Saw
- Level
- Pencil
- Tape

CAUTION

Before installing this product, be sure the electrical power is off at the circuit breaker or remove fuse(s).

For video information visit homedepot.com and search SKU 641134 or model number 5310-WH

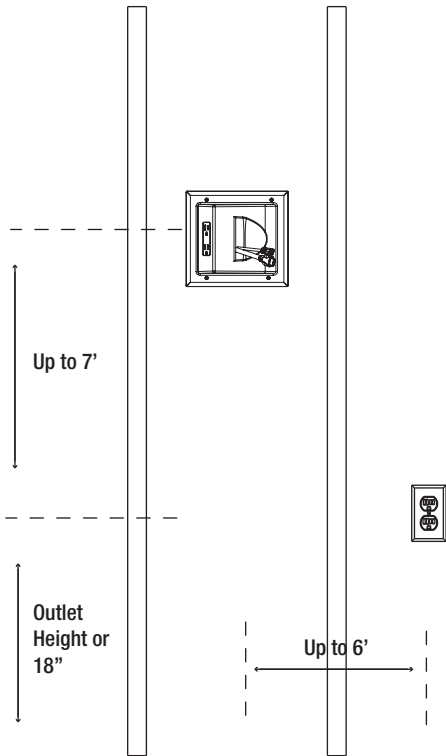


Installation



1 DETERMINE THE PLATE LOCATION

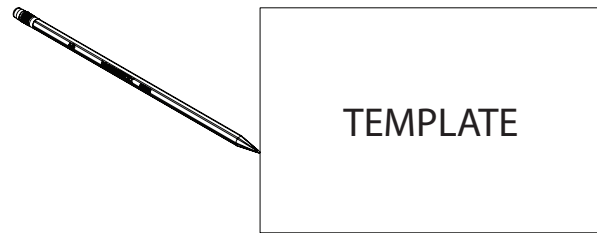
- Use the stud finder to center between the wall framing studs.
- Be sure to frame your plate both vertically and horizontally



*This product is designed for standard 2x4 framed walls. If your wall does not have the standard 3.5" spacing between the drywall you will need to use a kit that mounts on the front of the wall.

2 PREPARING THE WALL FOR INSTALLATION

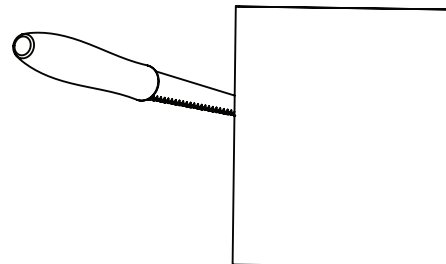
- Using the template supplied, trace the opening for the low voltage recessed cable plate on the wall. Remember, the plate is designed to be mounted centered between the studs.

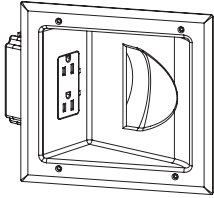


TIP: Loop a piece of tape with the sticky side outward to form a circle and apply it to the back of the template to secure it to the wall.

3 CUT DRYWALL FOR LOW VOLTAGE CABLE PLATE

- Using a drywall saw, cut a hole in the drywall the size of the template.

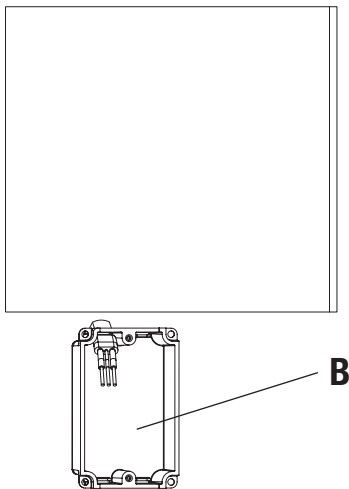




Installation

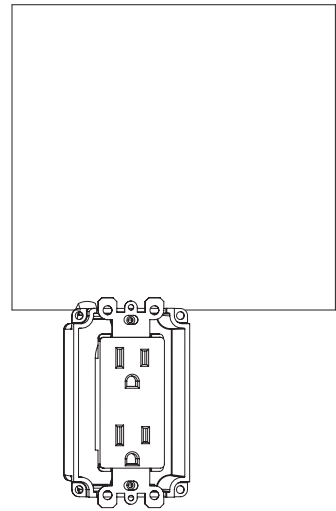
4 PULL ELECTRICAL BUILDING WIRE

- Pull the electrical building wire through the hole in the drywall. Break one of the four tabs in the back of the old work box (B) and push the electrical building wire through the tab.



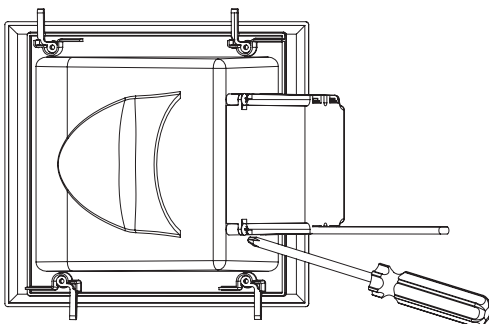
5 WIRE THE RECEPTACLE

- Wire the receptacle by connecting the White wire to the silver screw, the Black wire to the brass screw, and the Green ground wire to the green grounding screw. Then place the receptacle into the electrical work box.



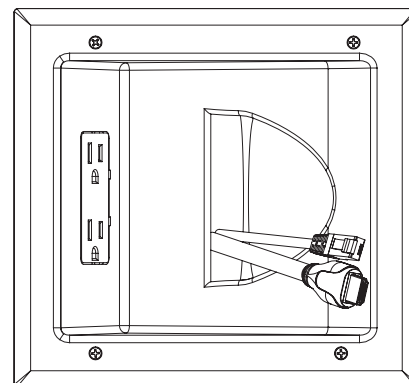
6 SECURE ELECTRICAL WORK BOX

- Secure the electrical work box onto the back of the cable plate using a Phillips head screwdriver.



7 PLACING THE PLATE

- Swing the plate into the wall opening (receptacle first) and tighten down the screws until the plate fastens tightly against the wall.



7-1/4"

7-1/8"

Template

ACTUAL SIZE

CUT ALONG DOTTED LINE ✂

Safety Information

Please read all instructions and safety information before use.
Retain this manual for future reference.



CAUTION: When using tools always follow the manufacturer's safety guidelines.



ETL LISTED
CONFORMS TO
UL STD. 514C
CERTIFIED TO

Intertek
3026001 CAN/CSA STD. C22.2#42.1:200-1

RoHS Compliant
This product is patent protected by
U.S. Patent number: 0553475 & 7390964

HOMEDEPOT.COM

Please contact 1-877-527-0313 for further assistance.

Rev. 01/29/2019