

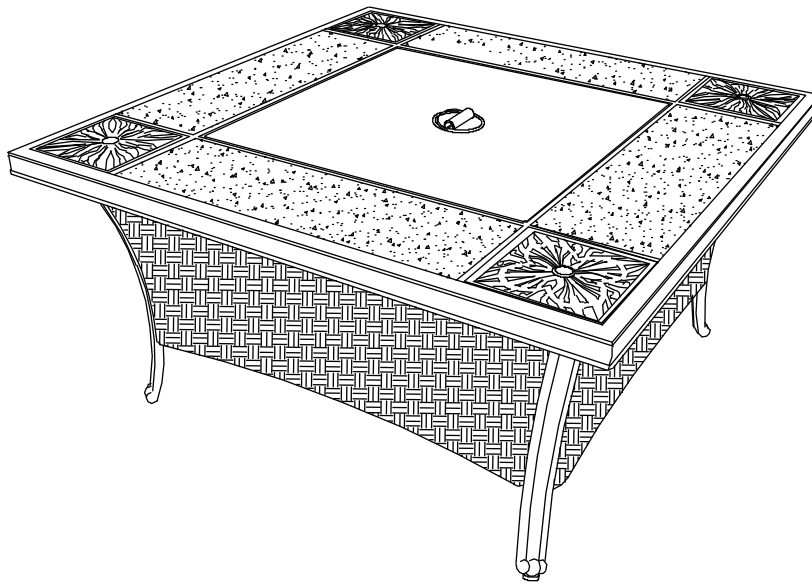


Item #639336
Model #HD14211,
HD14212

USE AND CARE GUIDE

5-PIECE PEMBREY FIREPIT SET

(42 in. x 42 in. Firepit Table)



Questions, problems, missing parts? Before returning to the store,
call Hampton Bay Customer Service
8:00 a.m. - 6:00 p.m., EST, Monday-Friday

1-855-HD-HAMPTON

HAMPTONBAY.COM

THANK YOU

We appreciate the trust and confidence you have placed in Hampton Bay through the purchase of this firepit set. We strive to continually create quality products designed to enhance your home. Visit us online to see our full line of products available for your home improvement needs. Thank you for choosing Hampton Bay!

Table of Contents

Table of Contents	2	Pre-Assembly.....	3
Safety Information.....	2	Planning Assembly.....	3
Warranty.....	2	Hardware Included.....	3
3 Year Frame, 2 Year Weave		Package Contents	4
Limited Warranty.....	2	Assembly.....	5
What Is Covered.....	2		
What Is Not Covered.....	2		
Care Instructions.....	2		

Safety Information


 **DANGER:** Please keep children out of the assembly area before assembly.

 **CAUTION:** Use the table on flat ground only.

 **WARNING:** Do not sit or stand on the table.

 **IMPORTANT:** Please check the tightness of the bolts at least every 90 days.

 **WARNING:** Do not put heavy objects on the table.

 **NOTE:** Level the table with glides at the bottom of each leg.

Warranty

3 YEAR FRAME AND 2 YEAR WEAVE LIMITED WARRANTY

WHAT IS COVERED

We warrant the frame to be free of manufacturing defects to the original purchaser for three years and weave for two years.

WHAT IS NOT COVERED

It remains the customer's responsibility for freight and packaging charges to and from our service center. This warranty does not cover commercial use, hardware, acts of nature, fire, freezing and abusive use. In addition, purchased parts are not covered under this warranty. We reserve the right to make substitutions with similar merchandise, if the model in question is no longer in production.

Care Instructions

Before using, wipe with a clean, dry cloth. Do not use bleach or solvents. Treat the frame with liquid wax for maximum protection against UV light and salty, damp air. When not in use, store furniture in a cool, dry place. If your set includes cushions or mesh fabric, they may be cleaned by hand with a mild solution of soap and water. Rinse cushions thoroughly and allow to drip dry. Do not machine wash or tumble dry, as cushions may shrink. Do not use bleach or solvents on fabrics. When cleaning the tabletop make sure to use a soft, clean cloth that does not bleed color.

You may contact our customer service department with any questions by phone at 1-855-HD-HAMPTON or visit www.hamptonbay.com.

Pre-Assembly

PLANNING ASSEMBLY

It will take two people about 10 minutes to complete the assembly process.

Assemble this product on a blanket or towel or other soft, non-abrasive surface to avoid scratching the finish.

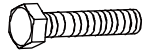
HARDWARE INCLUDED



NOTE: Hardware not shown to actual size.



___ AA



___ BB



___ CC



___ DD

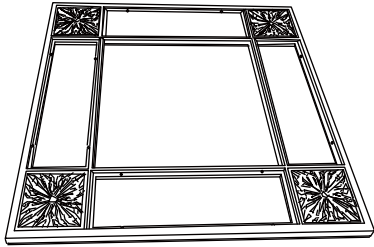


___ EE

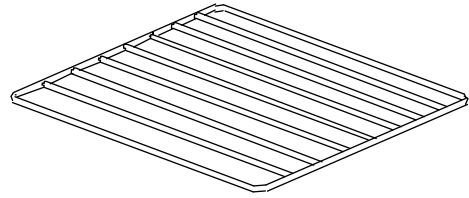
Part	Description	Quantity
AA	Bolt (M6 x 15 mm)	4
BB	Bolt (M6 x 20 mm)	8
CC	Metal Washer	12
DD	Plastic Bolt Cap	12
EE	Hex Wrench	1

Pre-Assembly (continued)

PACKAGE CONTENTS



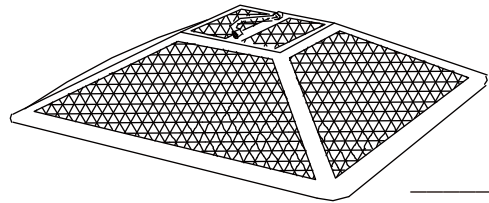
_____ A



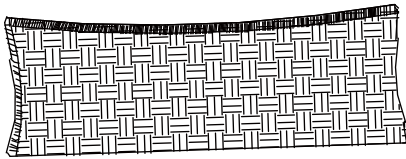
_____ E



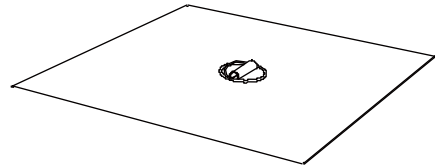
_____ B



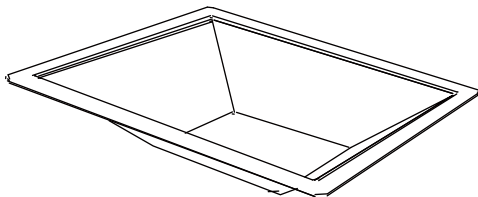
_____ F



_____ C



_____ G



_____ D



_____ H

Part	Description	Quantity
A	Table Rim	1
B	Table Leg	4
C	Woven Panel	4
D	Firepit	1
E	Grill	1
F	Mesh Cover	1
G	Firepit Cover	1
H	Ceramic Tile	4

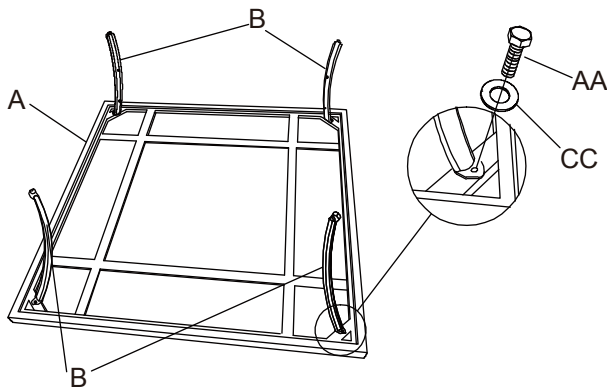
Assembly

1 Attaching the table legs to the table rim

- Remove the ceramic tile and set aside in a safe place until the table has been completely assembled.
- Turn the table rim (A) upside down. Attach the table legs (B) to the table rim (A) by inserting bolts (AA) with metal washers (CC) through the pre-drilled holes in the table legs and rim (A).



IMPORTANT: Do not tighten completely until assembly is completed.

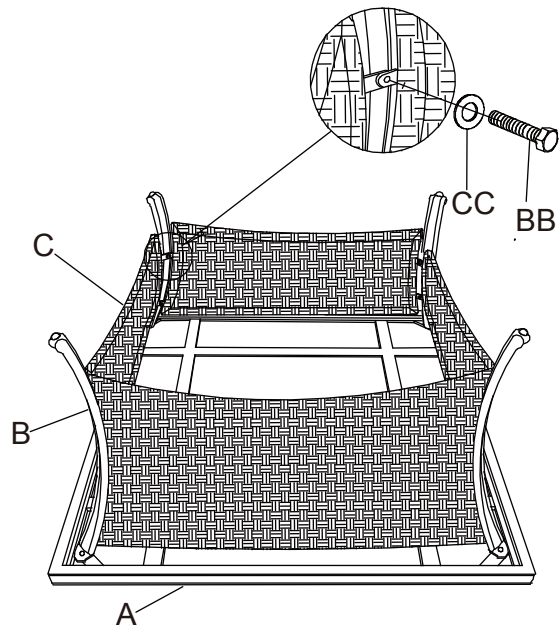


2 Attaching the woven panels to the table legs

- Attach the woven panels (C) to the table legs (B) by inserting bolts (BB) with metal washers (CC) through each pre-drilled hole on the woven panel (C) and table leg (B).



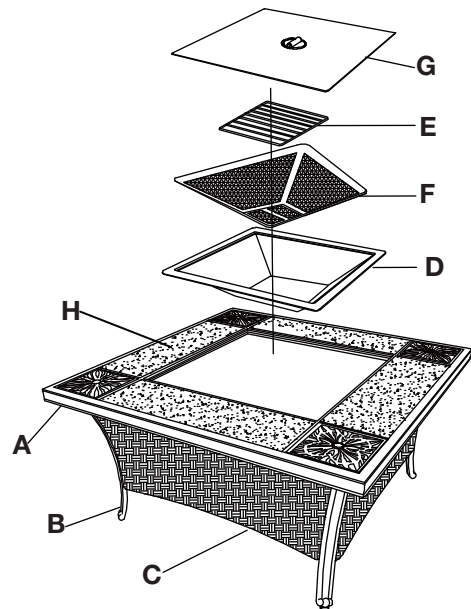
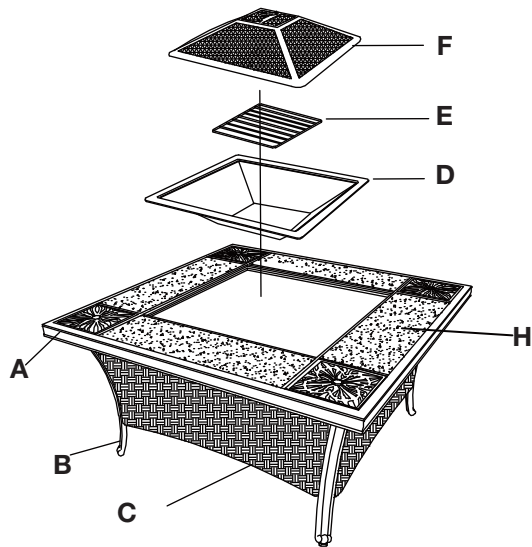
IMPORTANT: Each of the four leg bolts should be attached and initially tightened only a few revolutions. Then tighten further, one at a time, alternating between the four legs. Do NOT fully tighten one leg before you attach the other legs.



Assembly (continued)

3 Tightening the bolts and placing the tiles

- Tighten all the bolts completely using the hex wrench. Cover them with plastic bolt caps (DD). With assistance, turn the table to the upright position.
- Place the tiles (H) on the table. Put the fire pit (D), grill (E), and mesh cover (F) on the table.
- When not in use, remove the mesh cover (F) and cover the fire pit with the firepit cover (G). Your table is now ready for use, so relax & enjoy!





**Questions, problems, missing parts? Before returning to the store,
call Hampton Bay Customer Service
8:00 a.m. - 6:00 p.m., EST, Monday-Friday**

1-855-HD-HAMPTON

HAMPTONBAY.COM

Retain this manual for future use.