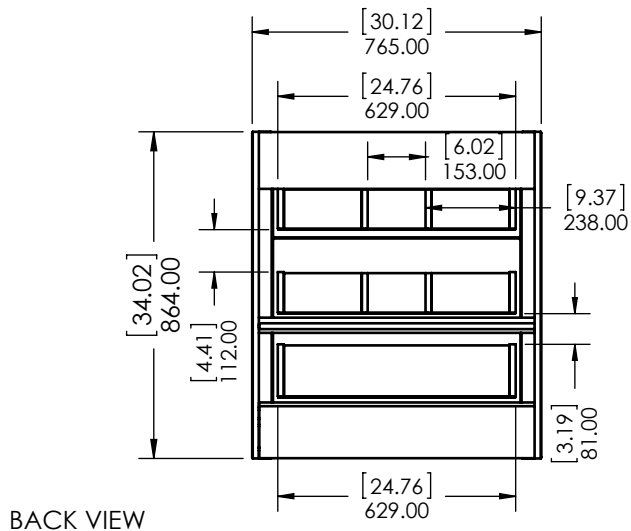
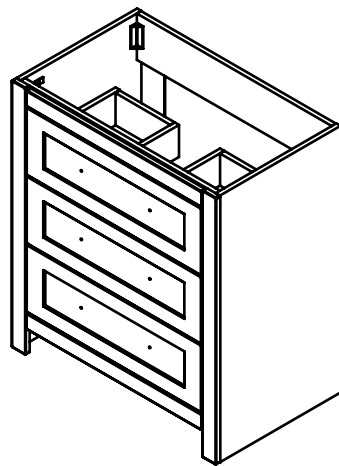
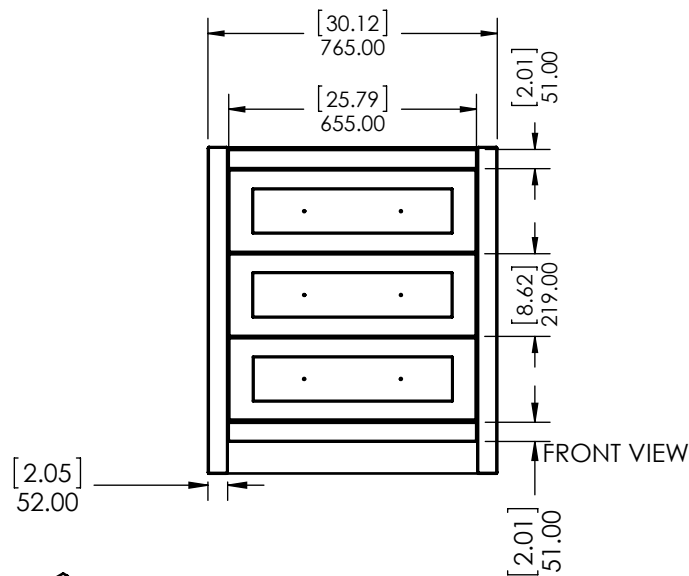
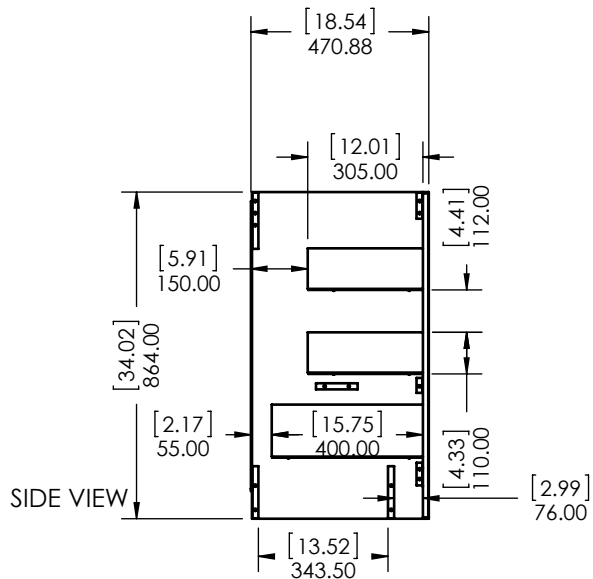


ITEM ID	DESCRIPTION
W2030P3-WH	30in Vanity w/Vanity Top & Mirror - White

REV	ECO#	DESCRIPTION	REV'D BY DATE	CHK'D BY DATE	APRV'D BY DATE
0		New Release	RR 05/23/19	RR 05/23/19	RR 05/23/19



**PROPRIETARY AND CONFIDENTIAL**  
 THE INFORMATION CONTAINED IN THIS DRAWING IS THE SOLE PROPERTY OF WOODCRAFTERS HOME PRODUCTS L.L.C. ANY REPRODUCTION IN PART OR AS A WHOLE WITHOUT THE WRITTEN PERMISSION OF WOODCRAFTERS HOME PRODUCTS L.L.C. IS PROHIBITED.

UNLESS OTHERWISE SPECIFIED  
 DIMENSIONS ARE IN mm and [inches]  
 AND TOLERANCES ARE +/- 1.0 [0.04]

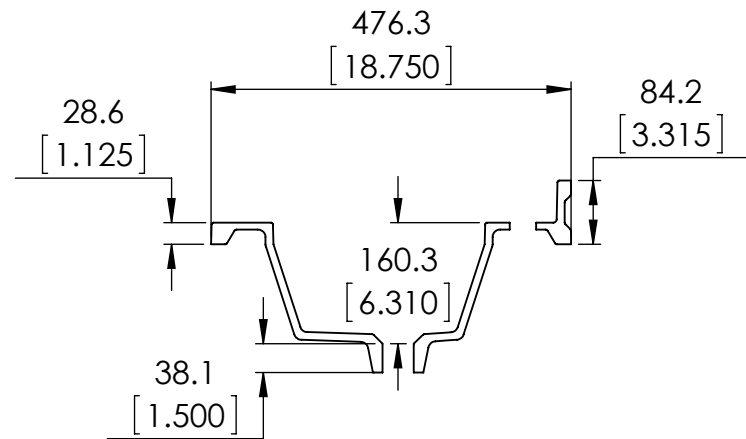
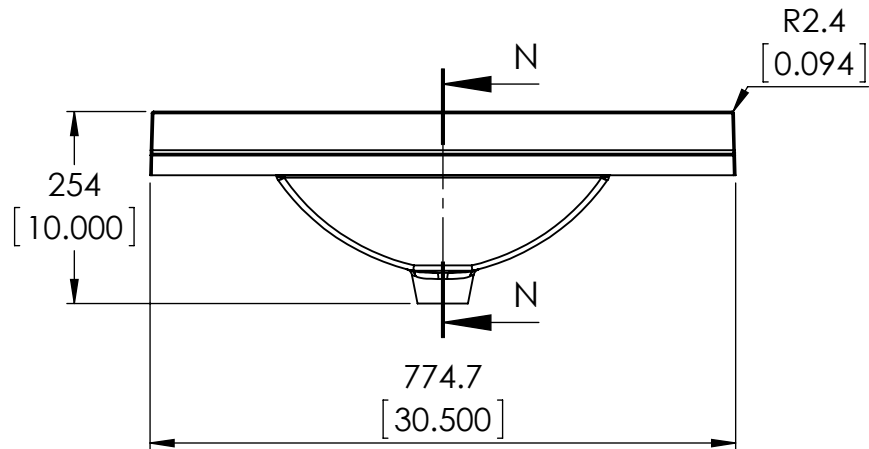
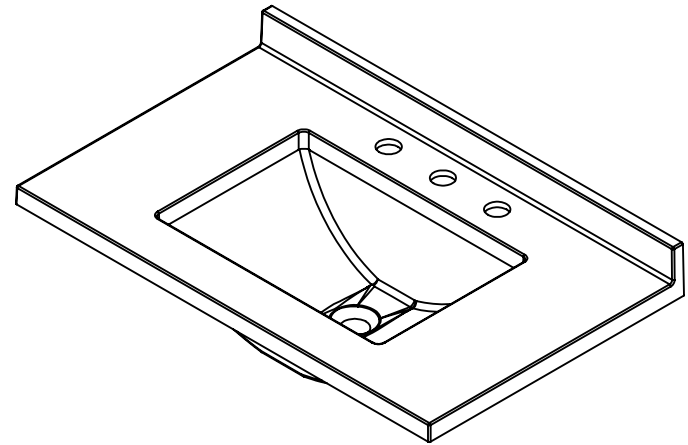
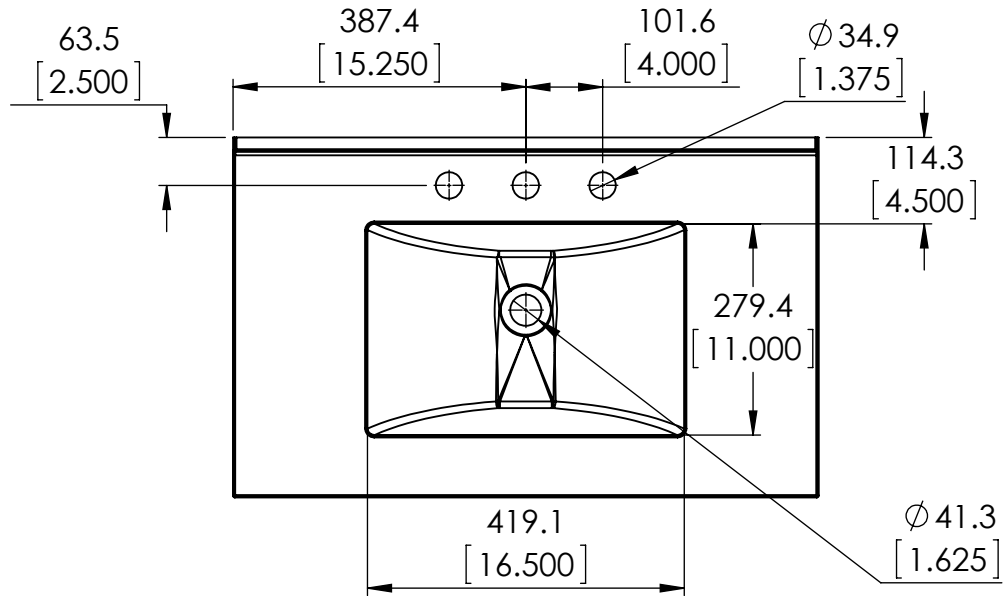
DRAWN BY:	RR	5/23/19
CHECKED BY:	RR	5/23/19
APPROVED BY:	RR	5/23/19
DO NOT SCALE DRAWING	SCALE: 1:20	SIZE: A



TITLE:	30in Vanity w/Vanity Top & Mirror - White		
PART NO:	PAGE	1 OF 1	REV: 0

ITEM TYPE	ITEM ID	ITEM DESCRIPTION	DRAWING STATUS
FG		Vtop Rect Bitono 30.5x18.75 SS Silver Ash 8in	

REV	DESCRIPTION	DATE	APPROVAL
0	RELEASED	12/03/18	E. SANDOVAL
1			



**PROPRIETARY AND CONFIDENTIAL**  
 THE INFORMATION CONTAINED IN THIS DRAWING IS THE SOLE PROPERTY OF WOODCRAFTERS. ANY REPRODUCTION IN PART OR AS A WHOLE WITHOUT THE WRITTEN PERMISSION OF WOODCRAFTERS IS PROHIBITED.

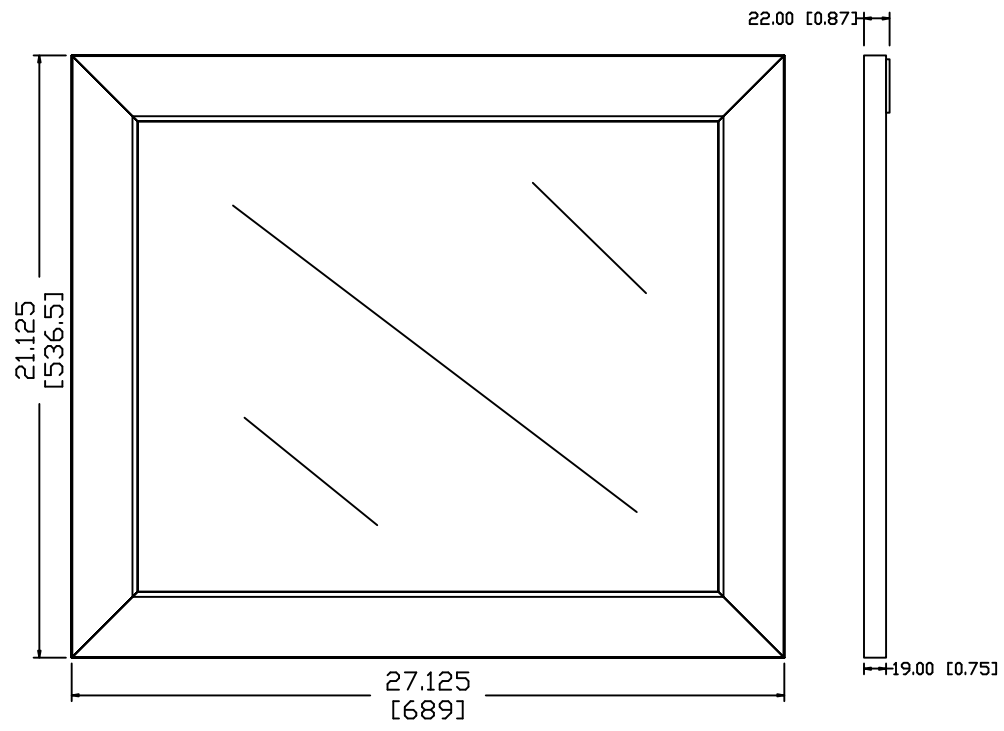
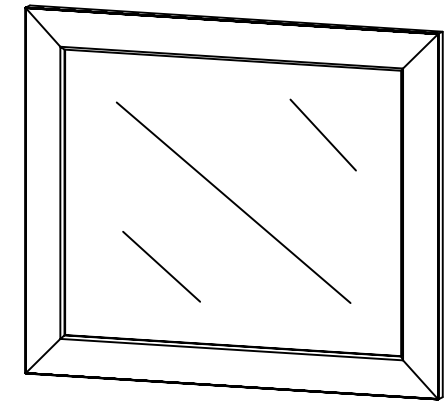
UNLESS OTHERWISE SPECIFIED  
 DIMENSIONS ARE IN MM. AND [INCHES]  
 TOLERANCES ARE  
 + 3.175 [0.125] - 3.175 [0.125]  
 SCALE: 1:10

	NAME	DATE
DRAWN	O. Razo	12/03/2018
CHECKED	E. SANDOVAL	12/03/2018
ENG APPR.	V. SANCHEZ	12/03/2018
MFG APPR.	E. SANDOVAL	12/03/2018

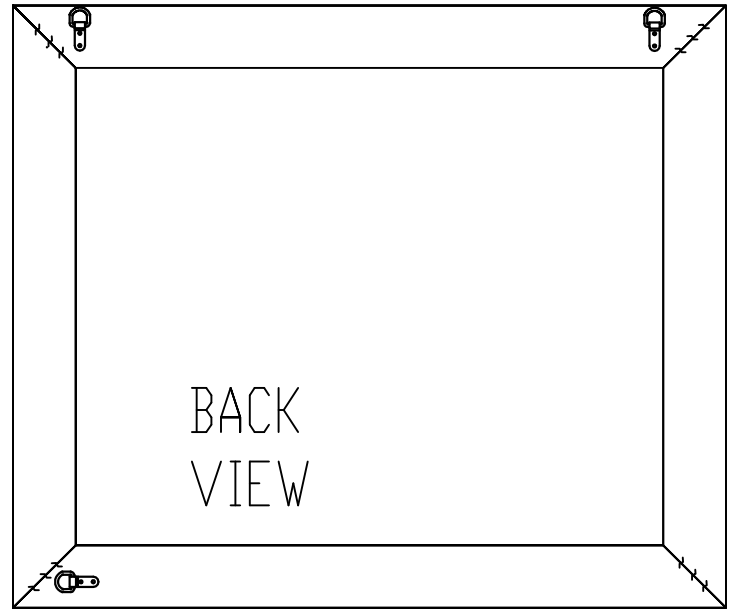
**Wood Crafters**  
 SHEET 1 OF 1  
 SIZE DWG. NO. FG  
 A

#	ITEM
1	298963

ISOMETRIC VIEW



FRONT VIEW



BACK VIEW



PROPRIETARY AND CONFIDENTIAL  
 THE INFORMATION CONTAINED IN THIS DRAWING IS THE  
 SOLE PROPERTY OF WOODCRAFTERS HOME PRODUCTS  
 L.L.C. ANY REPRODUCTION IN PART OR AS A WHOLE  
 WITHOUT THE WRITTEN PERMISSION OF WOODCRAFTERS  
 HOME PRODUCTS L.L.C. IS PROHIBITED.

UNLESS OTHERWISE SPECIFIED  
 DIMENSIONS ARE IN mm  
 and [inches]  
 AND TOLERANCES ARE  
 +/- 1 [0.04]

DRAWN BY:	Carlos R.	12/4/17
CHECKED BY:	Alexandro	12/4/17
APPROVED BY:	Dagoberto	12/4/17
NO NET SCALE DRAWING	SCALE: 1:1	SIZE: A

TITLE:	Wall Mirror White
PART NO.	
PAGE	1 OF 1
REV:	0