

MAAX SUBMITTAL SPECIFICATIONS

Balmoral

MODEL NUMBER 100736

DIMENSIONS: 72" x 42" x 22" Acrylic



Vivez l'expérience

MAAX®

Enjoy the experience

STANDARD FEATURES

- Two raised headrests
- Solid brass handles, Polished Brass or Chrome finish
- Smooth bottom
- Center drain
- Apron available
- 1 bathtub, 2 installations: drop in or alcove (tiling flange available)






OPTIONS

- Water heater
- Acrylic apron
- Microjet trim kit
- Foam pillow
- Flexible main hose
- One chromatherapy light

UNIQUE FEATURES

- None

SYSTEMS

-  Backmax
-  Microjets
-  Hydrosens
-  Bubble Tub
-  Combined Hydrosens and Bubble Tub

DOOR SELECTION

Combine with MAAX's complete shower door offering visit www.maax.com

CERTIFICATIONS

Maax products adhere to one or more of the following certifications:



Project :
Contractor :
MAAX Representative : Tel :
Date :

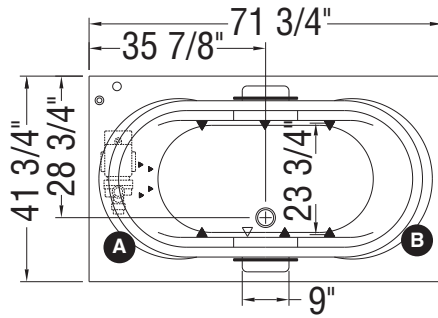
MAAX SUBMITTAL SPECIFICATIONS

Balmoral

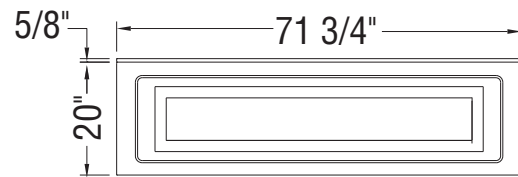
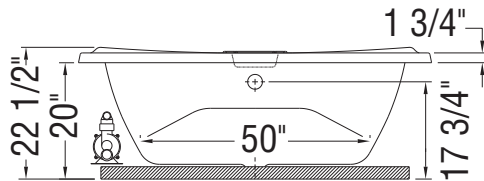
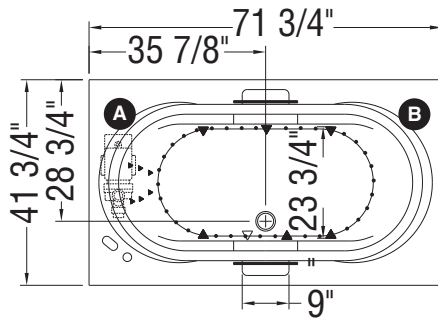
MODEL NUMBER 100736

TECHNICAL DRAWINGS

MICRO-JETS SYSTEM



HYDROSENS, BACKMAX
 AND BUBBLE TUB SYSTEMS



- (**A**) : Specify blower and/or pump location when ordering
- (**B**) : Specify blower and/or pump location when ordering
- (▲) : Indicates whirlpool and backjets positioning
- (△) : Indicates suction positioning
- (•) : Indicates airjets positioning

All dimensions are approximate. Structure measurements must be verified against the unit to ensure proper fit.