

### Features

- One-piece wall-hung toilet.
- Compact elongated bowl with 3" glazed trapway offers added comfort while occupying the same space as a round-front bowl.
- Mounting hardware is completely concealed, giving Veil a sleek, seamless look that is easy to clean.
- Dual-flush actuator offers a choice of 0.8 or 1.6 gallons per flush (gpf).
- Includes Grip Tight Reveal Q3 seat, wall-hung bowl, flush actuator, and in-wall carrier.
- Supply line not included.
- Large flush actuator plate can be removed for easy access to inner tank.

### Technology

- Dual-flush technology allows you to choose between a full- or partial-flush.

### Installation

- Fully insulated in-wall tank and carrier system with rigid solid steel tube frame for 2" x 6" installation.
- Adjustable durable steel frame carrier allows the bowl to be set anywhere from 15-3/8 inches to 28-1/2 inches from floor.

### Water Conservation & Rebates

- WaterSense® toilets meet strict EPA flushing guidelines, including using at least 20 percent less water than 1.6-gallon toilets.
- Eligible for consumer rebates in some municipalities.

### Components

Product includes:

- K-6284 2"x6" In-Wall Tank and Carrier System
  - K-6299 Wall-Hung Elongated Toilet Bowl
  - K-6298 Flush Actuator Plate
- Additional included component/s: Toilet Seat.



### Codes/Standards






ASME A112.19.2/CSA B45.1  
ASME A112.19.14  
ASME A112.6.2  
DOE - Energy Policy Act 1992  
EPA WaterSense®

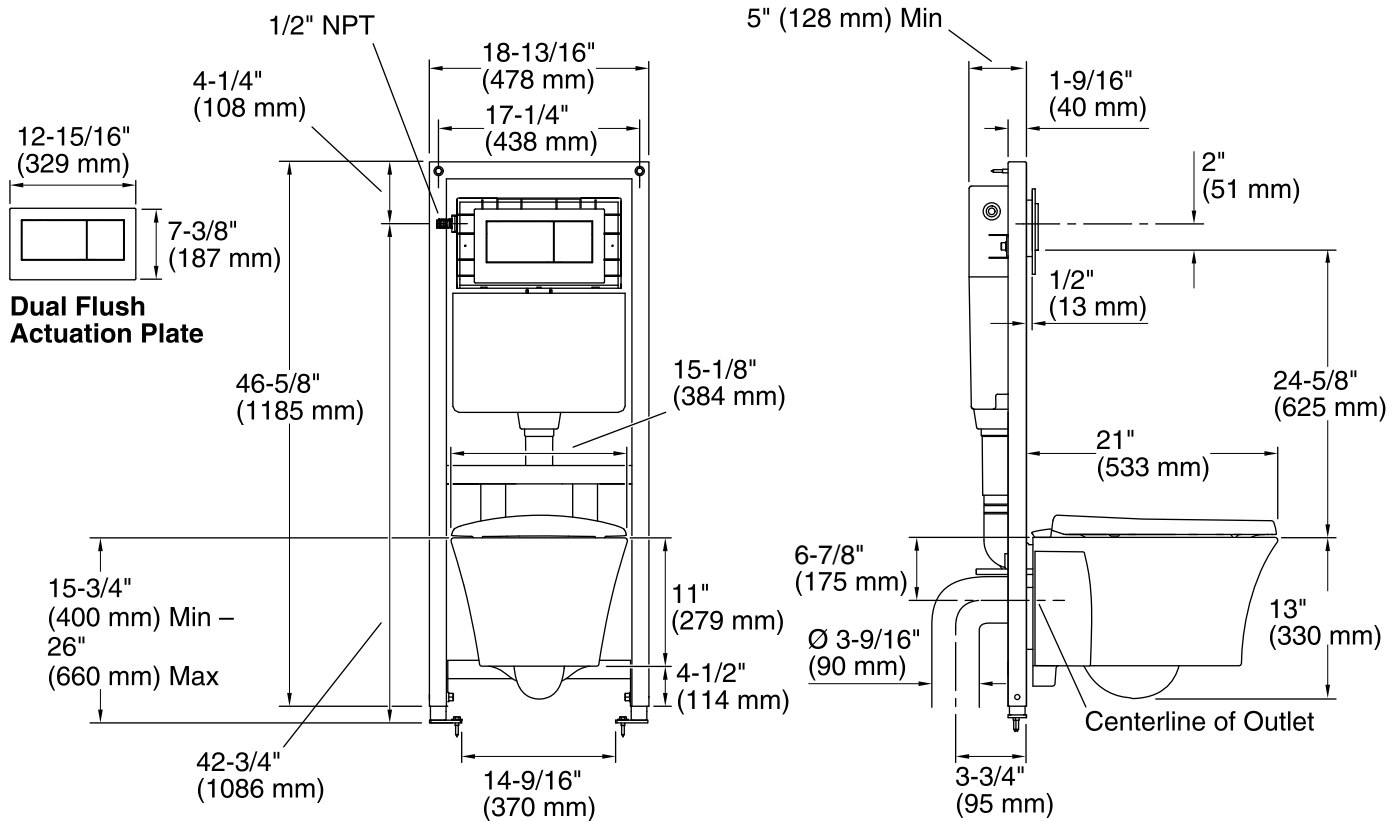
### KOHLER® One-Year Limited Warranty

See website for detailed warranty information.

### Available Color/Finishes

*Color tiles intended for reference only.*

Color	Code	Description
	0	White
	96	Biscuit
	47	Almond
	NY	Dune
	7	Black Black™



### Technical Information

All product dimensions are nominal.

Toilet type:	In-wall, Wall-mount
Waste Outlet:	Wall
Bowl shape:	Elongated front
Trap passageway:	3" (76 mm)
Water Consumption	
Full:	1.6 gpf (6 lpf)
Reduced:	0.8 gpf (3 lpf)
Water surface size:	4-1/2" x 5-1/2" (114 mm x 140 mm)
Seat-mounting holes:	5-1/2" (140 mm)

### Notes

Install this product according to the installation instructions.

Installation requires 2x6 framing.

Refer to manufacturer and local codes for flush valve requirements.

Install the in-wall tank and carrier system in a wall opening 5-1/2" (140 mm) x 19" (483 mm) x 50" (1270 mm) minimum.

K-4670 is the recommended toilet seat for public use accessible installations.