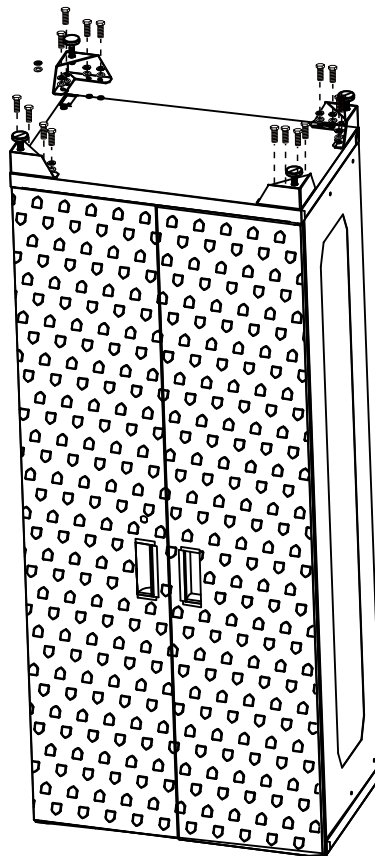
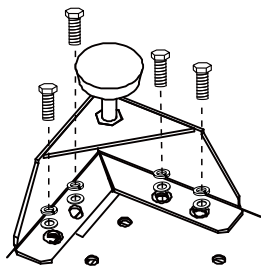







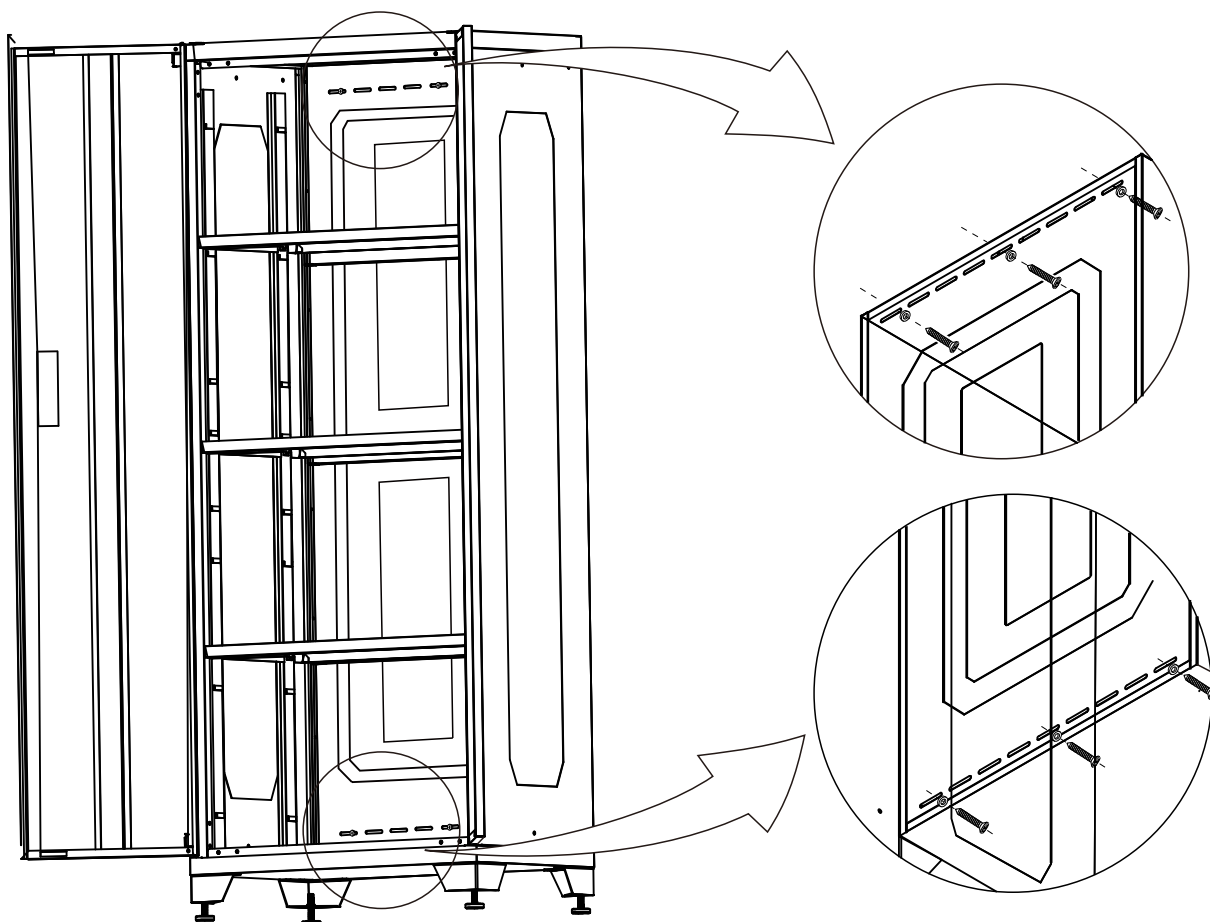
# INSTRUCTION MANUAL FOR GS3002L

1

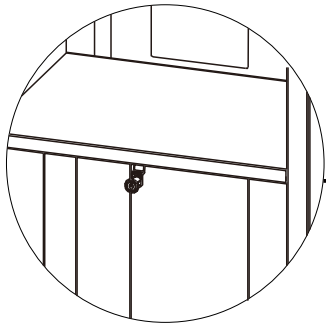
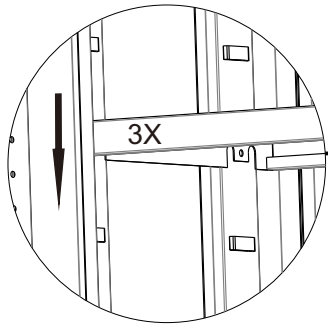


TOOL CABINET(GS2403B)		
	Parts	List
	M6×12	16
	M6	16
	4×50(Black)	6
	Φ6×25×1.0(Black)	6
	Φ6	16

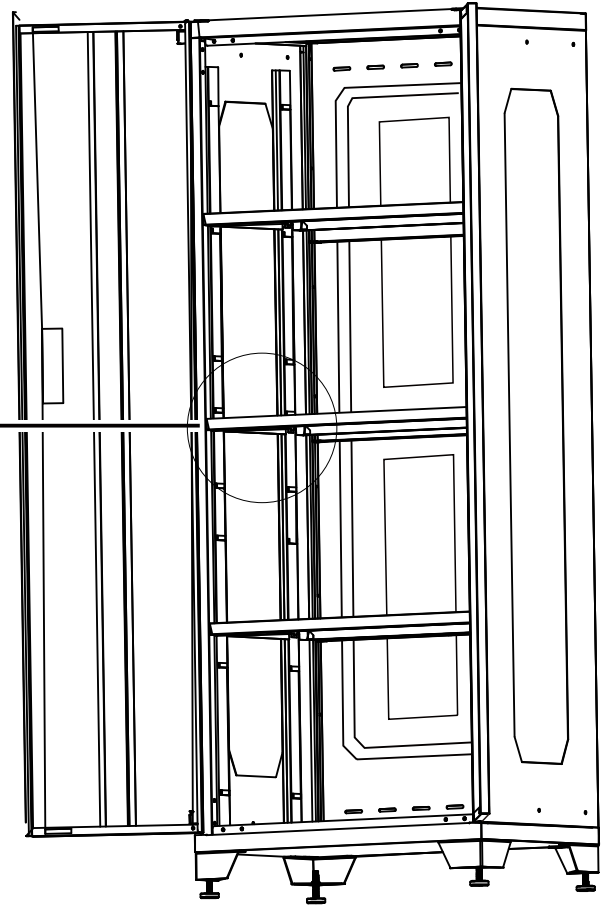
2



3







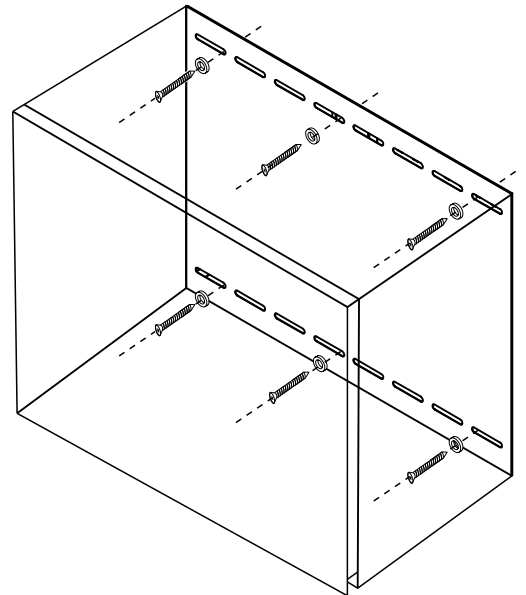
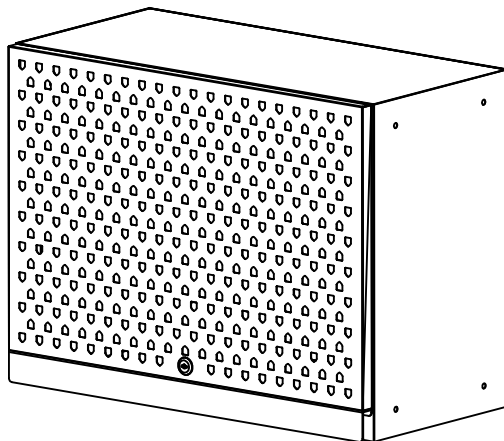
Attention:  
Put the tray here  
otherwise, the door  
can't be locked



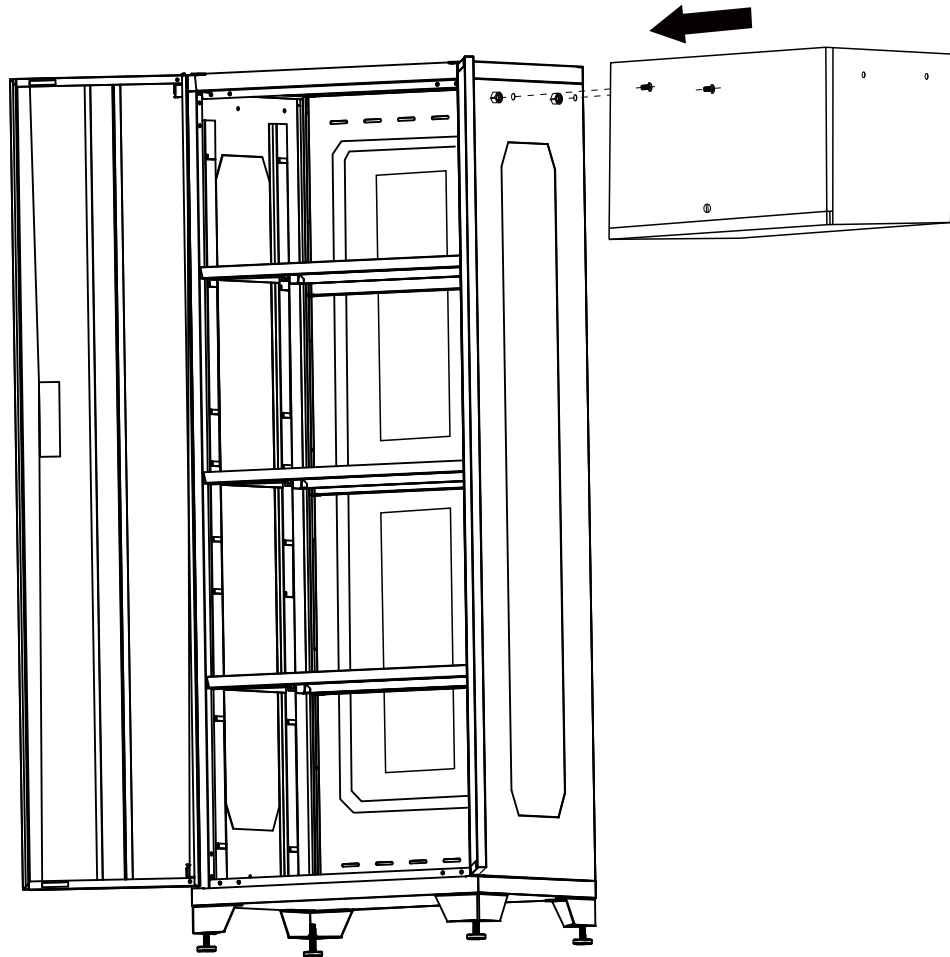
# INSTRUCTION MANUAL FOR GS2401A

4

TOOL CABINET(GS2403B)		
	Parts	List
	M6×12	4
	M6 Lock nut	4
	4×50(Black)	6
	Φ6×25×1.0(Black)	6

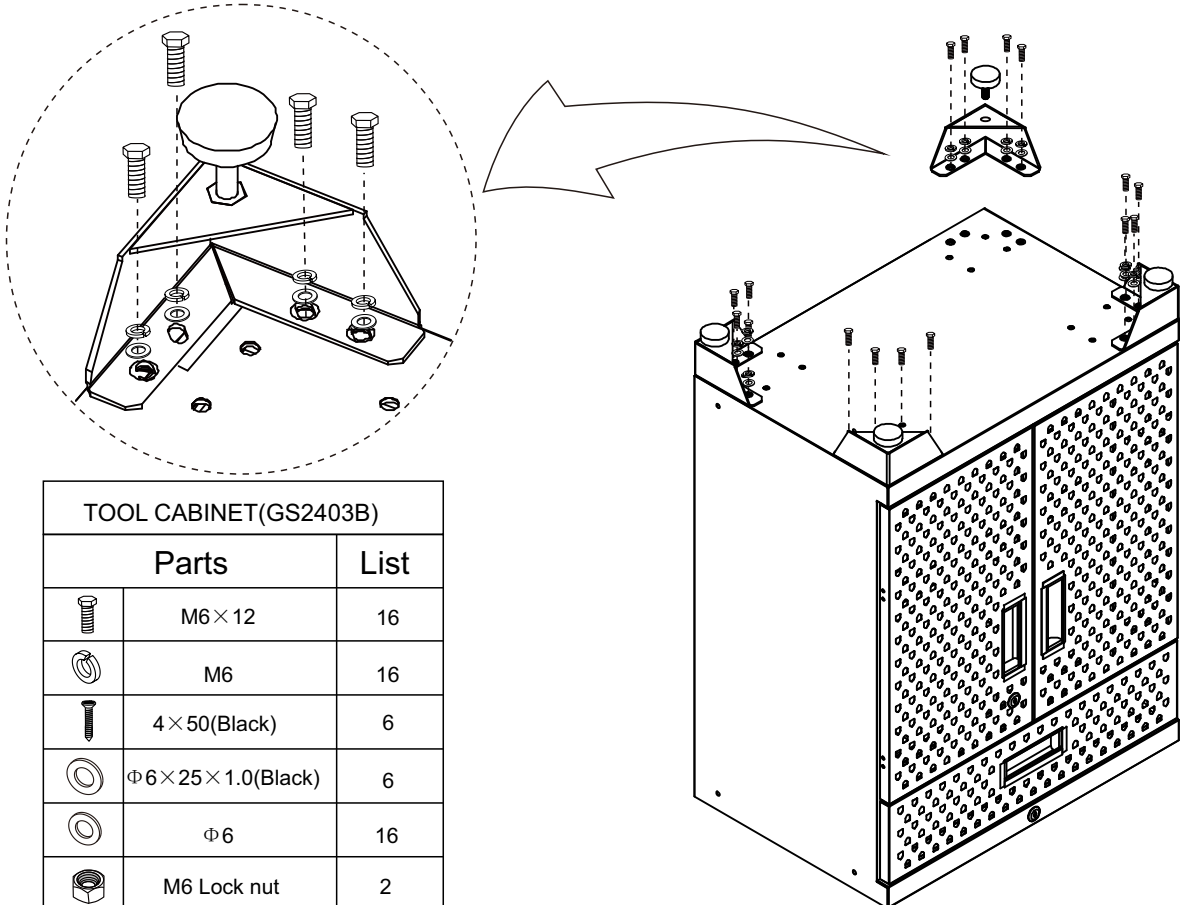









5



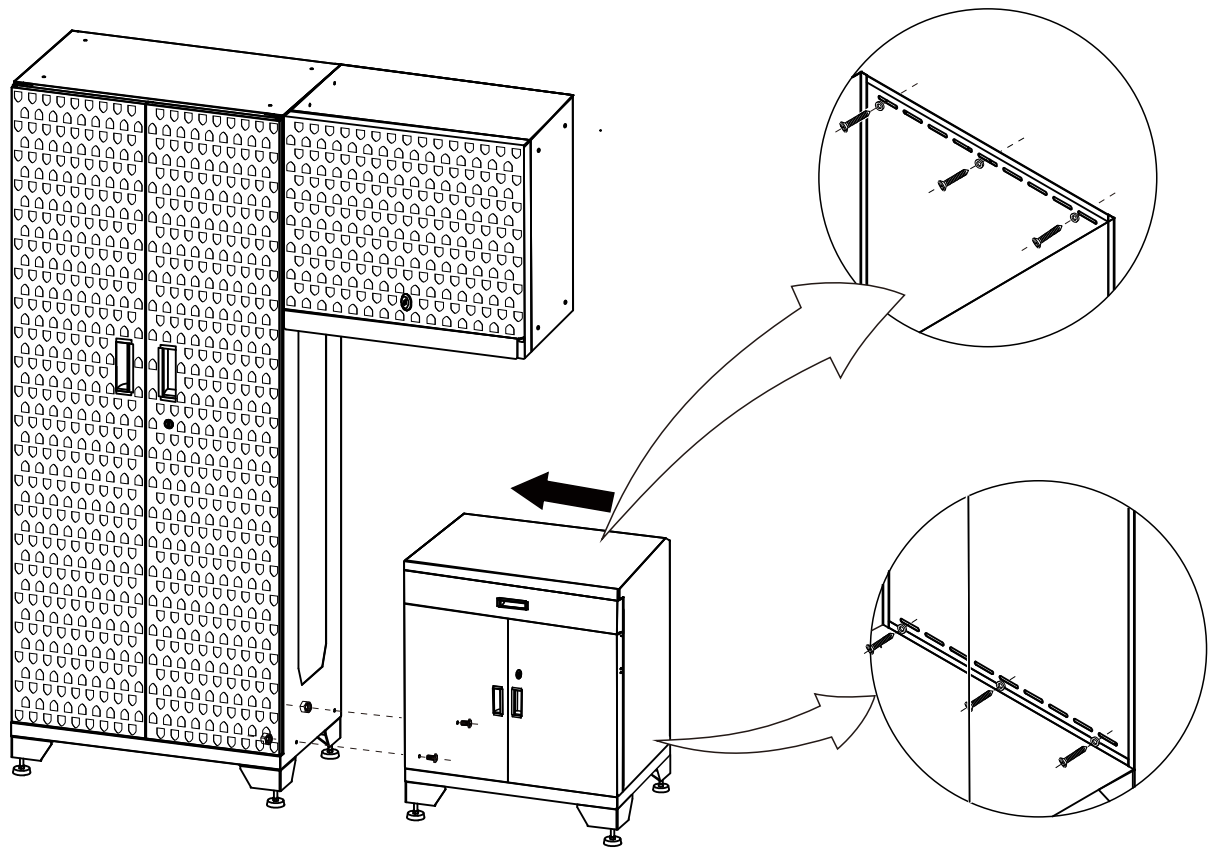
# INSTRUCTION MANUAL FOR GS3002L

6



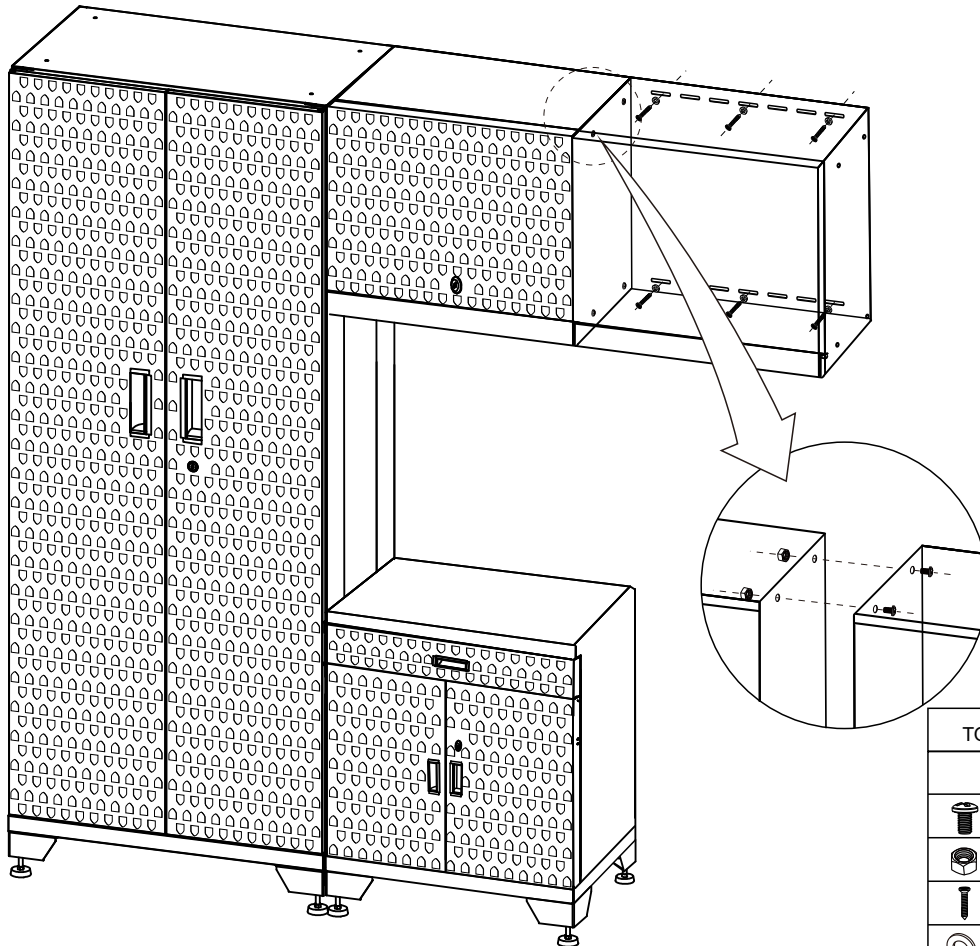
TOOL CABINET(GS2403B)		
Parts	List	
	M6×12	16
	M6	16
	4×50(Black)	6
	Φ6×25×1.0(Black)	6
	Φ6	16
	M6 Lock nut	2
	M6×12	2





7



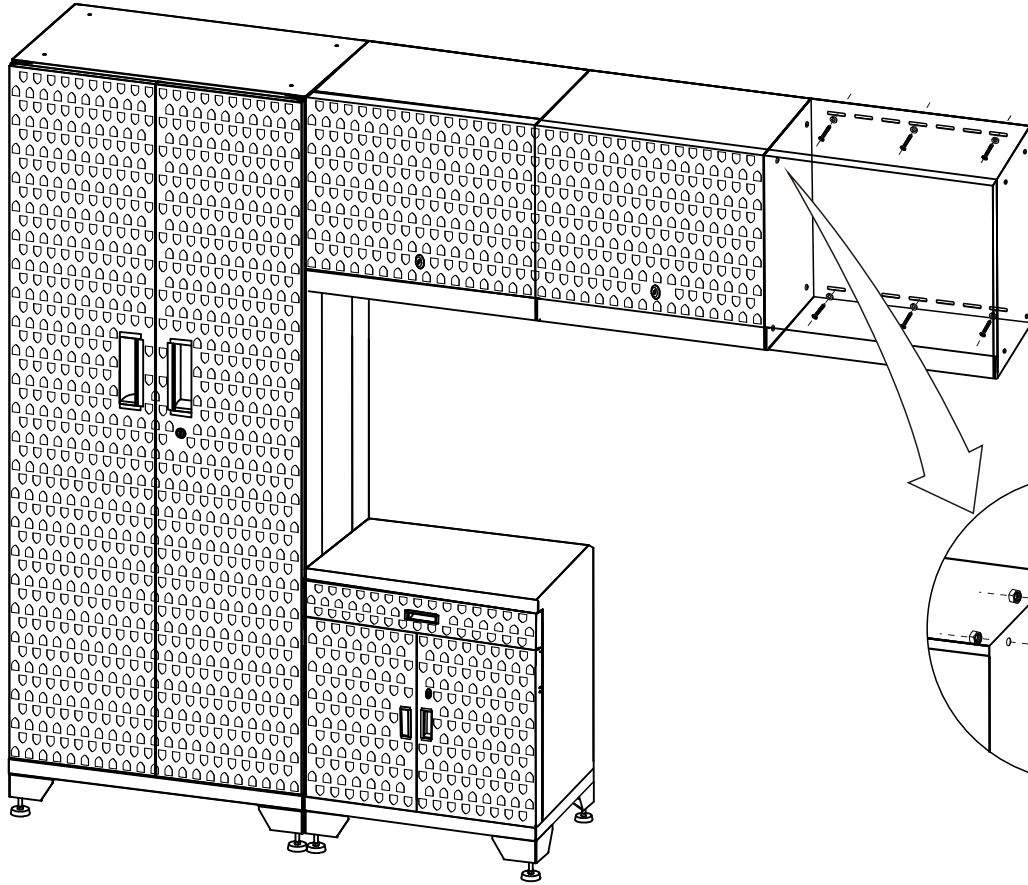
# INSTRUCTION MANUAL FOR GS2401A





8

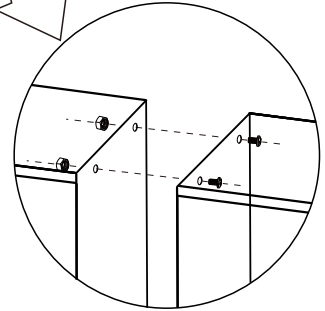


TOOL CABINET(GS2401A)		
	Parts	List
	M6×12	4
	M6	4
	4×50(Black)	6
	Φ6×25×1.0(Black)	6

9

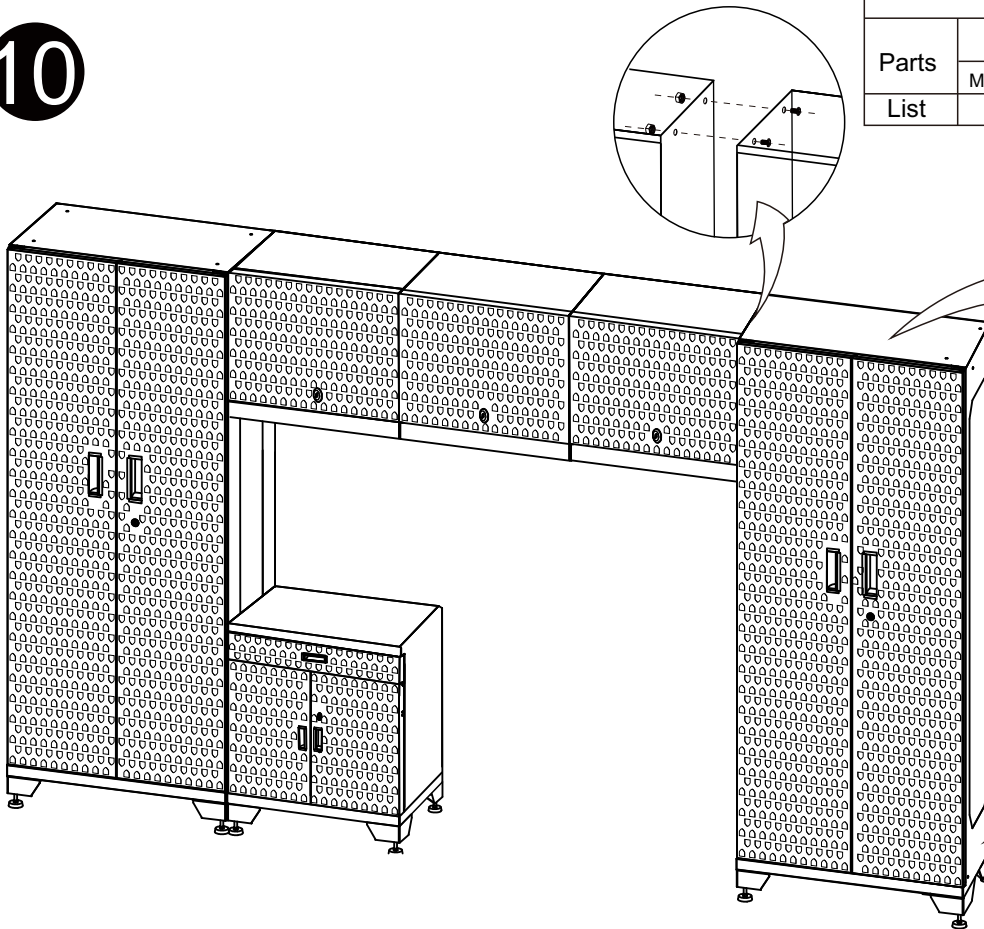






TOOL CABINET(GS2401A)		
Parts	List	
 M6×12	4	
 M6	4	
 4×50(Black)	6	
 Φ6×25×1.0(Black)	6	

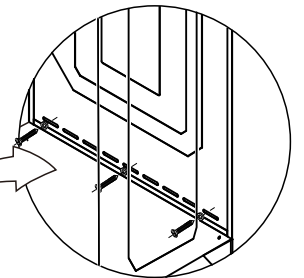
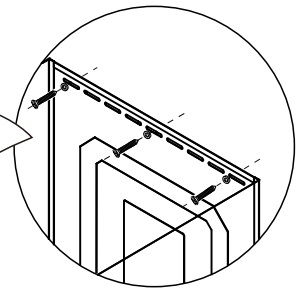
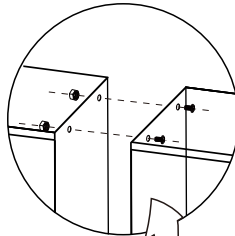


# INSTRUCTION MANUAL FOR GS3002R

10

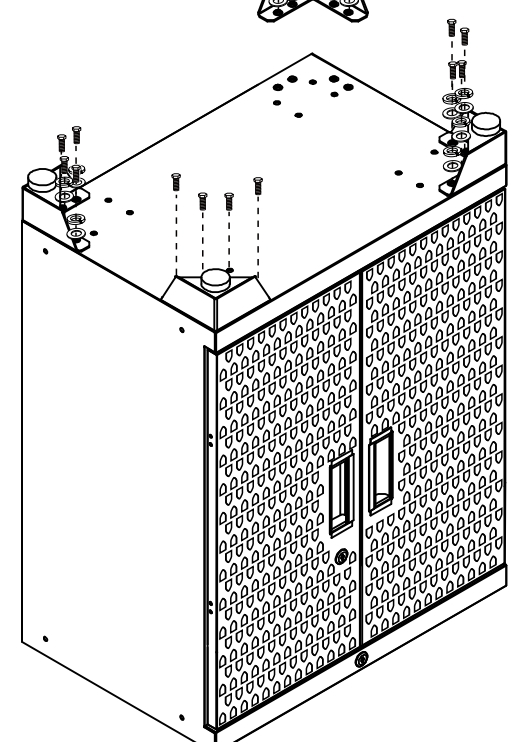
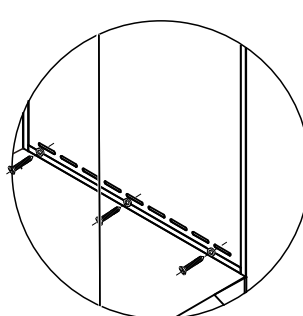
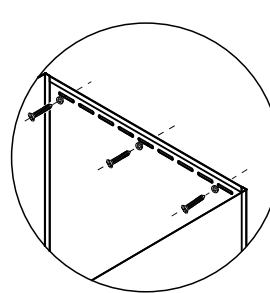
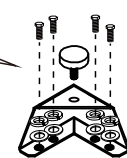
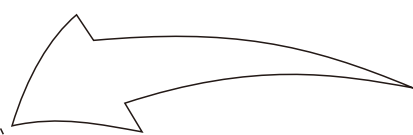
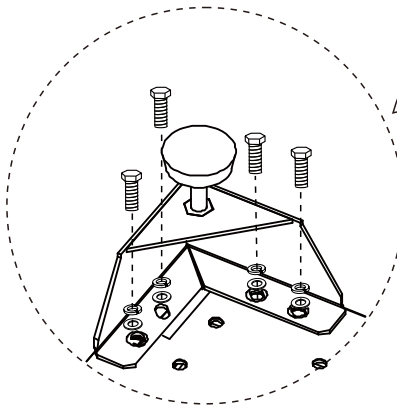
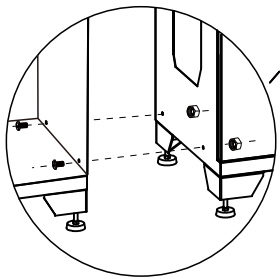


TOOL CABINET(GS3002R)				
Parts	 M6×12	 M6	 4×50(Black)	 Φ6×25×1.0(Black)
List	4	4	6	6



# INSTRUCTION MANUAL FOR GS2402

11



TOOL CABINET(GS2402)

Parts							
List	16	2	16	2	6	6	16

12

