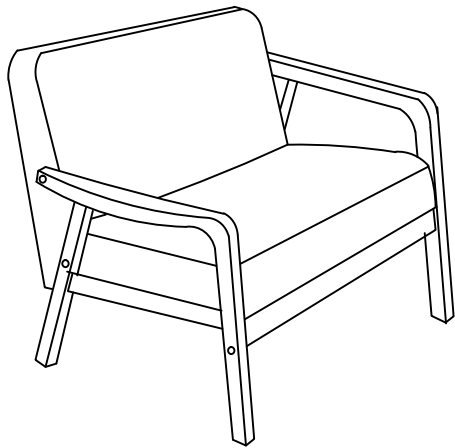


ASSEMBLY INSTRUCTION

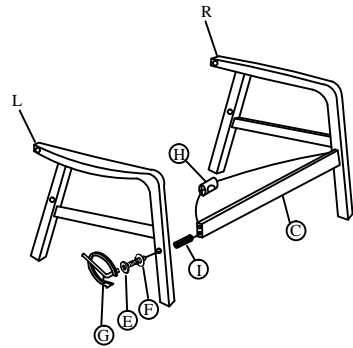
MODEL NAME : TOGO SOFA

READ THE INSTRUCTION CAREFULLY. REMOVE ALL THE WRAPPING MATERIALS, STAPLES AND STRAPS FROM THE CARTON. REFER TO THE HARDWARE AND FURNITURE PARTS LIST AS A GUIDANCE. MAKE SURE YOU HAVE ALL THE PARTS BEFORE YOU START ASSEMBLING. PLACE ALL THE WOODEN FURNITURE PARTS ON A CLEAN, FLAT AND SOFT SURFACE SUCH AS CARPET TO PREVENT FROM SCRATCHES.

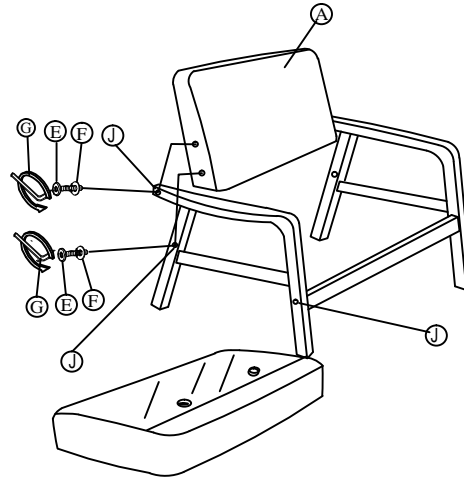
CAUTION: KEEP ALL HARDWARE PART OUT OF REACH OF CHILDREN.



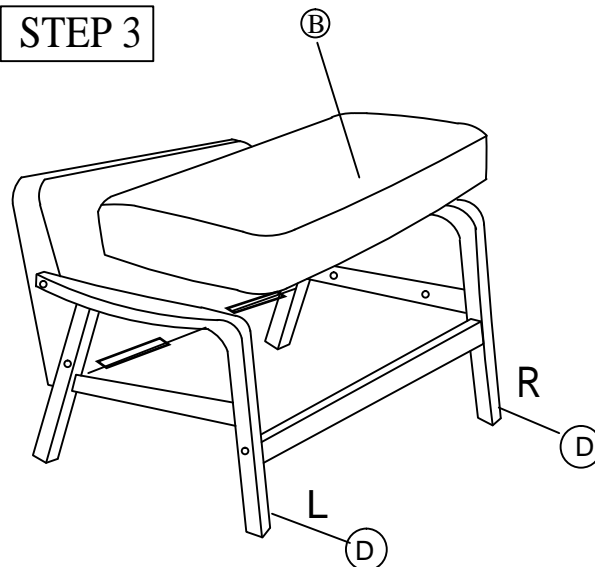
STEP 1



STEP 2









STEP 3



PART LIST

ITEM	DESCRIPTION	QTY
A	CUCHION BACK	1
B	CUSHION SEAT	1
C	APRON	1
D	LEG L&R	2

HARDWARE LIST

ITEM	DESCRIPTION	QTY
E	JCBC SCREW M8 x 60mm 	6
F	FLAT WASHER M8 x 17MM 	6
G	ALLEN KEY M5 	1
H	BARREL NUT M8 X 15MM 	2
I	WOOD DOWEL M10 X 40MM 	2
J	PLASTIC CAP 	6

HINLIM
SINCE 1971

www.hinlim.com

ISO 9001:2000
Certificate No. 2502

