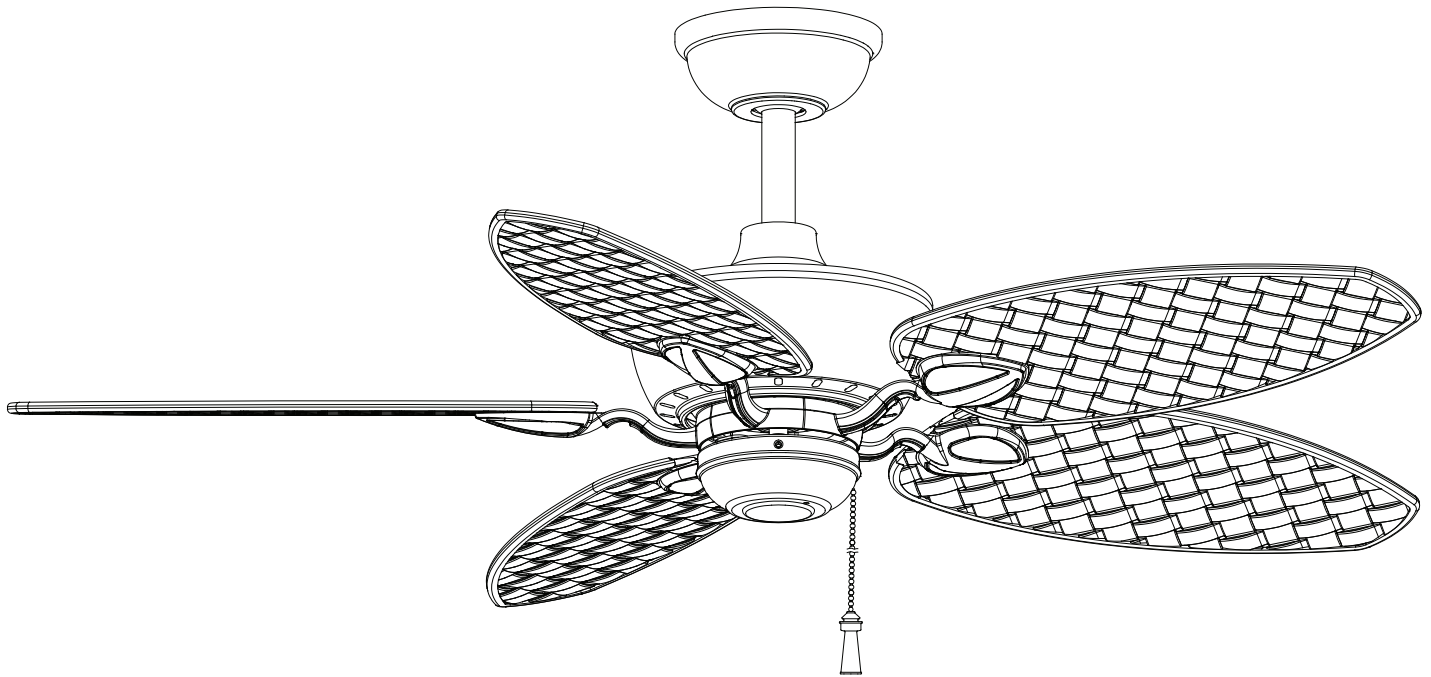




Item #1000 060 168,  
1000 554 711, 1000 060 180  
Model # 26682, 26684, 26685  
UL Model #48-LG

# USE AND CARE GUIDE

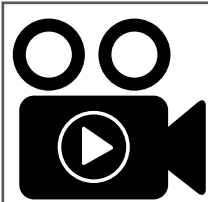
## LARGO 48-INCH CEILING FAN



Questions, problems, missing parts? Before returning to the store,  
call Hampton Bay Customer Service  
8 a.m. - 7 p.m., EST, Monday-Friday, 9 a.m. - 6 p.m., EST, Saturday

1-855-HD-HAMPTON

HAMPTONBAY.COM



To view an instructional video on how to install this product:

1. Go to [www.homedepot.com](http://www.homedepot.com) and enter either the Item or Model number, found in the top right corner of the cover of this instruction manual, in the search field.
2. Click on your product from the list of search results and click on the video link in the "Product Overview" section.

### THANK YOU

*We appreciate the trust and confidence you have placed in Hampton Bay through the purchase of this ceiling fan. We strive to continually create quality products designed to enhance your home. Visit us online to see our full line of products available for your home improvement needs.*

*Thank you for choosing Hampton Bay!*

# Table of Contents

Table of Contents .....	2	Assembly .....	7
Safety Information .....	2	Operation .....	12
Warranty .....	3	Care and Cleaning .....	13
Pre-Installation .....	3	Troubleshooting .....	13
Installation .....	6		

# Safety Information

1. To reduce the risk of electric shock, ensure the electricity has been turned off at the circuit breaker or fuse box before you begin.
2. All wiring must be in accordance with the National Electrical Code ANSI/NFPA 70-1999 and local electrical codes. Electrical installation should be performed by a qualified licensed electrician.
3. The outlet box and support structure must be securely mounted and capable of reliably supporting 35 lbs. (15.9 kg). Use only UL Listed outlet boxes marked "Acceptable for Fan Support of 35 lbs. (15.9 kg) or less."
4. The fan must be mounted with a minimum of 7 ft (2.1 m) clearance from the trailing edge of the blades to the floor.
5. Do not operate the reversing switch while the fan blades are in motion. You must turn the fan off and stop the blades before you reverse the blade direction.
6. Do not place objects in the path of the blades.
7. To avoid personal injury or damage to the fan and other items, use caution when working around or cleaning the fan.
8. Electrical diagrams are for reference only. Light kits that are not packed with the fan must be UL-Listed and marked suitable for use with the model fan you are installing. If using this fan in a wet or damp environment, the light kit must be marked "Suitable for Use in Wet Location". Refer to the instructions packaged with the light kits and switches for proper assembly.
9. This product is suitable for use in wet locations when installed in a GFCI protected branch circuit.
10. All setscrews must be checked and retightened where necessary before installation.



**WARNING:** To reduce the risk of personal injury, do not bend the blade brackets (also referred to as flanges) during assembly or after installation. Do not insert objects in the path of the blades.



**WARNING:** To reduce the risk of fire, electric shock or personal injury, mount to outlet box marked "acceptable for fan support of 35lbs. (15.9 Kg) or less" and use screws provided with the outlet box.



**WARNING:** Remove the rubber motor stops on the bottom of the fan before installing the blades or testing the motor.



**WARNING:** To reduce the risk of fire or electric shock, do not use this fan with any solid-state speed control device.



**WARNING:** To avoid possible electrical shock, turn the electricity off at the main fuse box before wiring. If you feel you do not have enough electrical wiring knowledge or experience, contact a licensed electrician.



**WARNING:** Electrical diagrams are for reference only. Optional use of any light kit shall be UL-Listed and marked suitable for use with this fan.



**CAUTION:** To reduce the risk of personal injury, use only the screws provided with the outlet box.

# Warranty

The supplier warrants the fan motor to be free from defects in workmanship and material present at time of shipment from the factory for a lifetime after the date of purchase by the original purchaser. The supplier also warrants that all other fan parts, excluding any glass or acrylic blades, to be free from defects in workmanship and material at the time of shipment from the factory for a period of one year after the date of purchase by the original purchaser. We agree to correct such defects without charge or at our option replace with a comparable or superior model if the product is returned. To obtain warranty service, you must present a copy of the receipt as proof of purchase. All costs of removing and reinstalling the product are your responsibility. Damage to any part such as by accident or misuse or improper installation or by affixing any accessories, is not covered by this warranty. Because of varying climatic conditions this warranty does not cover any changes in brass finish, including rusting, pitting, corroding, tarnishing, or peeling. Brass finishes of this type give their longest useful life when protected from varying weather conditions. A certain amount of "wobble" is normal and should not be considered a defect. Servicing performed by unauthorized persons shall render the warranty invalid. There is no other express warranty. Hampton Bay hereby disclaims any and all warranties, including but not limited to those of merchantability and fitness for a particular purpose to the extent permitted by law. The duration of any implied warranty which cannot be disclaimed is limited to the time period as specified in the express warranty. Some states do not allow a limitation on how long an implied warranty lasts, so the above limitation may not apply to you. The retailer shall not be liable for incidental, consequential, or special damages arising out of or in connection with product use or performance except as may otherwise be accorded by law. Some states do not allow the exclusion of incidental or consequential damages, so the above exclusion or limitation may not apply to you. This warranty gives specific legal rights, and you may also have other rights which vary from state to state. This warranty supersedes all prior warranties. Shipping costs for any return of product as part of a claim on the warranty must be paid by the customer.

Contact the Customer Service Team at 1-855-HD-HAMPTON or visit [www.HamptonBay.com](http://www.HamptonBay.com).

# Pre-Installation

## SPECIFICATIONS

Size	Speed	Volts	Amps	Watts	RPM	CFM	Net Weight	Gross Weight	Cube Feet
48 in.	Low	120	0.25	15	80	1794	21.38 lbs. (9.7 kg)	23.5 lbs. (10.7 kg)	1.43 cu. ft.
	Medium		0.38	32	125	2923			
	High		0.54	64	185	4286			



**NOTE:** These are approximate measures. They do not include the Amps and Wattage used by the light kit.



## TOOLS REQUIRED



Phillips  
screwdriver



Flat blade  
screwdriver



Adjustable  
wrench



Electrical  
tape



Wire  
cutter



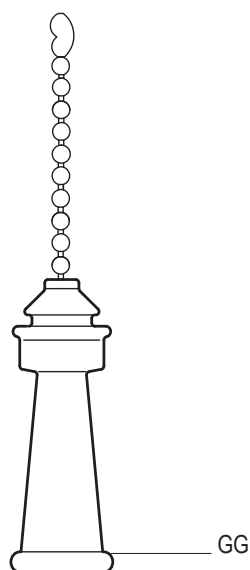
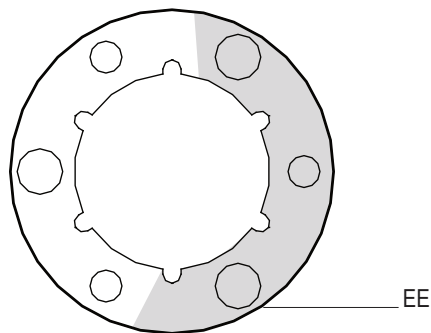
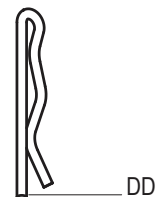
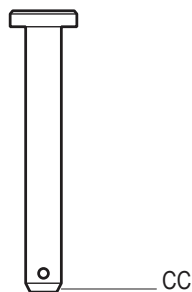
Step ladder

# Pre-Installation (continued)

## HARDWARE INCLUDED



NOTE: Hardware not shown to actual size.

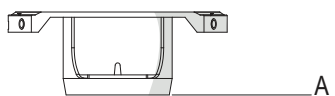


Part	Description	Quantity
AA	Blade attachment hardware	16
BB	Wire connecting nuts	3
CC	Hanger pin	1
DD	Locking pin	1

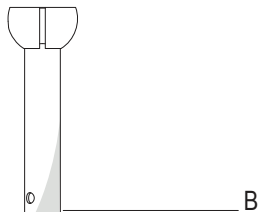
Part	Description	Quantity
EE	Rubber gasket for close-to-ceiling mounting	1
FF	Extra blade bracket attachment hardware	1
GG	Pull chain	1

# Pre-Installation (continued)

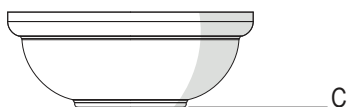
## PACKAGE CONTENTS



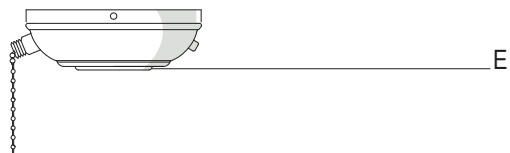
A



B



C



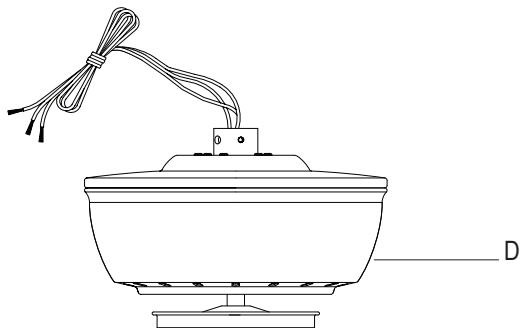
E



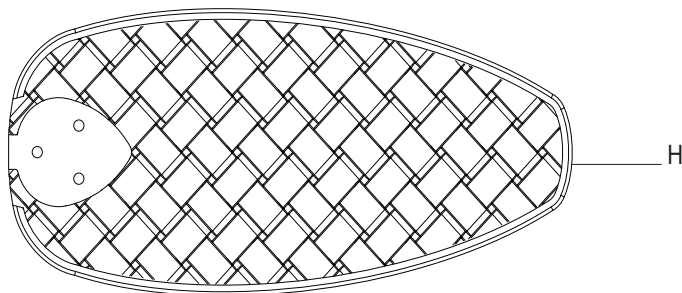
F



G



D



H

Part	Description	Quantity
A	Slide-on mounting bracket (inside canopy)	1
B	Ball/downrod assembly	1
C	Canopy with canopy ring attached	1
D	Fan-motor assembly	1

Part	Description	Quantity
E	Switch cup	1
F	Decorative motor collar cover	1
G	Blade bracket (flange), screws pre-installed	5
H	Blade	5



**IMPORTANT:** This product and/or components are governed by one or more of the following U.S. Patents: 5,947,436; 5,988,580; 6,010,110; 6,046,416, 6,210,117 and other patents pending.

# Installation

## MOUNTING OPTIONS

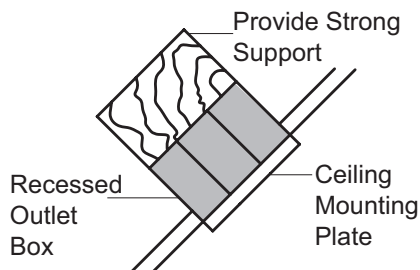
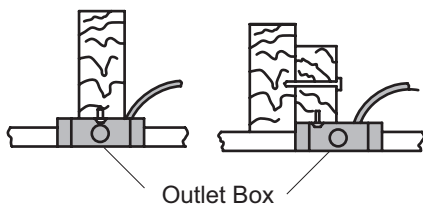
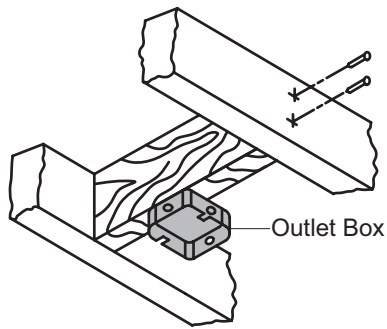


**WARNING:** To reduce the risk of fire, electric shock or personal injury, mount to outlet box marked “acceptable for fan support of 35lbs. (15.9kg) or less” and use screws provided with the outlet box. An outlet box commonly used for the support of lighting fixtures may not be acceptable for fan support and may need to be replaced. If in doubt, consult a qualified electrician.

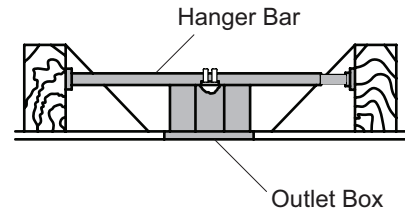
If your ceiling fan does not have an existing UL-Listed mounting box, then install one using the following instructions:

- Disconnect the power by removing the fuses or turning off the circuit breakers.
- Secure the outlet box directly to the building structure. Use the appropriate fasteners and materials. The outlet box and its bracing must be able to fully support the weight of the moving fan (at least 35 lbs. (15.9 kg)). Do not use a plastic outlet box.

The illustrations below show three different ways to mount the outlet box.



**NOTE:** You may need a longer downrod to maintain proper blade clearance when installing on a steep, sloped ceiling. The maximum angle allowable is 30° away from horizontal.



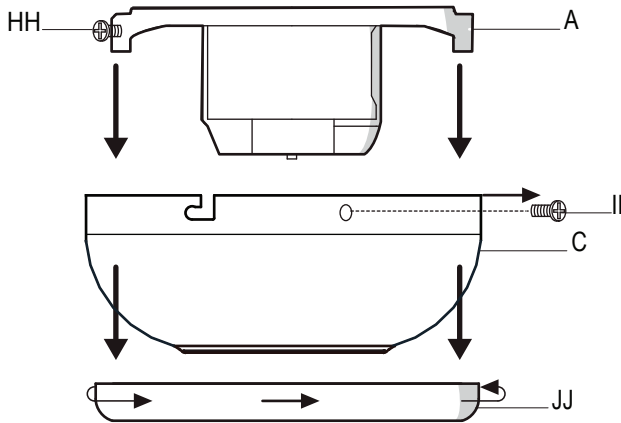
If the canopy touches the downrod, then remove the decorative canopy bottom cover and turn the canopy 180° before attaching the canopy to the mounting plate.

To hang your fan where there is an existing fixture but no ceiling joist, you may need an installation hanger bar as shown above (available at any Home Depot store).

# Assembly - Standard Ceiling Mount

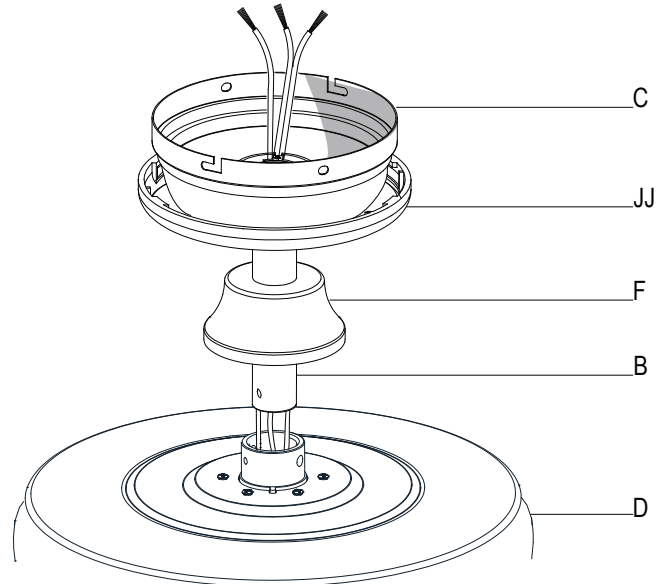
## 1 Preparation for mounting

- Remove the canopy ring (JJ) from the canopy (C) by turning the ring counterclockwise until it unlocks.
- Remove the mounting bracket (A) from the canopy (C) by loosening the two canopy screws (HH) located in the "L shaped slots".
- Remove and save the two canopy screws (II) in the round holes. This will enable you to remove the mounting bracket (A).



## 2 Routing the wires

- Route the wires exiting the top of the fan-motor housing (D) into the decorative motor collar cover (F) and through the canopy ring (JJ).
- Make sure the slot openings are on top and route the wires through the canopy (C) and then through the ball/downrod assembly (B).

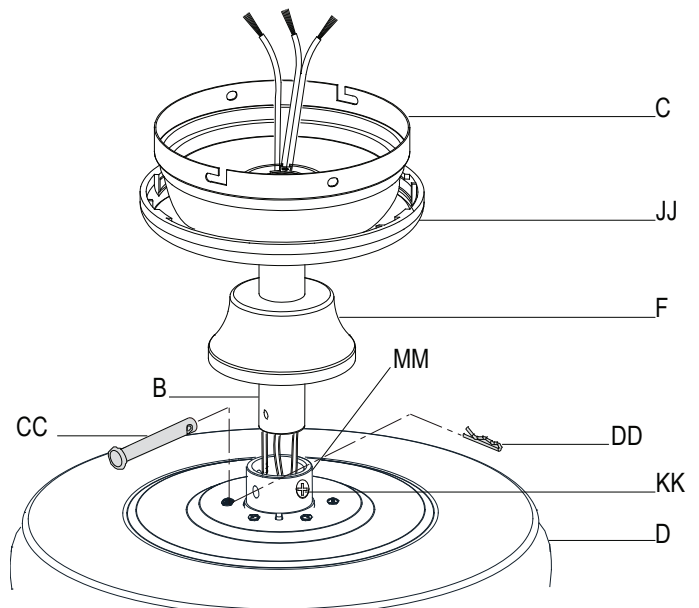


## 3 Assembling the fan



**WARNING:** Failure to properly install the locking pin could result in the fan becoming loose and possibly falling.

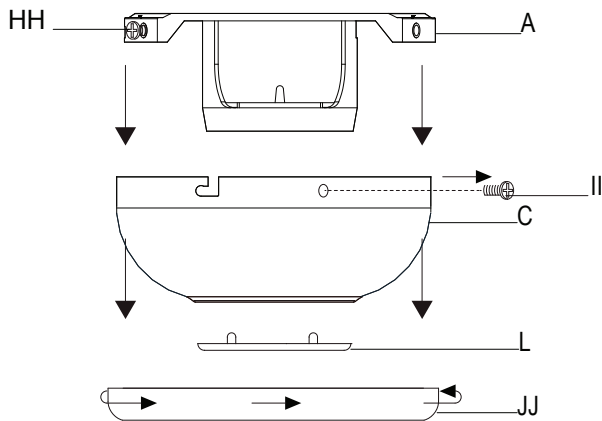
- Loosen, but do not remove, the setscrew (KK) on the collar (MM) on top of the fan-motor housing (D).
- Align the holes at the bottom of the downrod (B) with the holes in the collar (MM) on top of the fan-motor housing (D).
- Carefully insert the hanger pin (CC) through the holes in the collar (MM) and downrod (B). Be careful not to jam the hanger pin (CC) against the wiring inside the downrod (B).
- Insert the locking pin (DD) through the hole near the end of the hanger pin (CC) until it snaps into its locked position.
- Re-tighten the setscrews on the collar (MM) on top of the fan-motor housing (D).



# Assembly - Close-to-Ceiling Mount

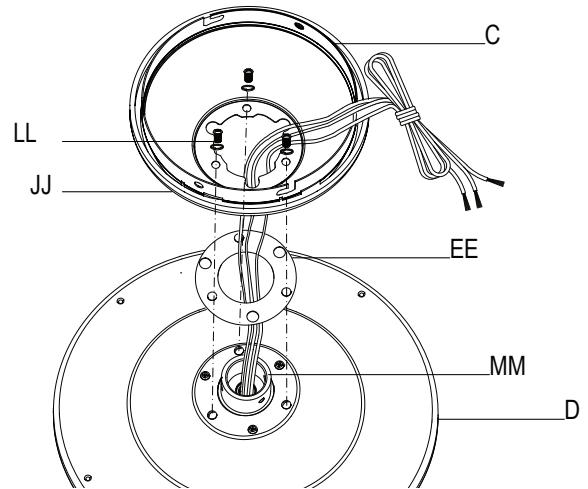
## 1 Preparation for mounting

- Remove the canopy ring (JJ) from the canopy (C) by turning the ring counterclockwise until it unlocks.
- Remove the mounting bracket (A) from the canopy (C) by loosening the two canopy screws (HH) located in the “L shaped slots”.
- Remove and save the two canopy screws (II) in the round holes. This will enable you to remove the mounting bracket (A).
- Remove the decorative canopy bottom cover (L) from the canopy (C) by depressing the three studs.



## 2 Routing the wires

- Remove three of the six screws and lock washers (LL) (every other one) securing the motor collar (MM) to the top of the fan-motor housing (D).
- Place the rubber gasket (EE) over the remaining three screws, route the wires exiting the top of the fan-motor housing through the canopy ring (JJ) (make sure the slot opening are on top), then proceed to place the ceiling canopy (C) over the collar at the top of the fan-motor housing (D).
- Align the mounting holes with the holes in the fan-motor housing (D) and fasten, using the three screws and lock-washers (LL) removed previously. Tighten the mounting screws securely.



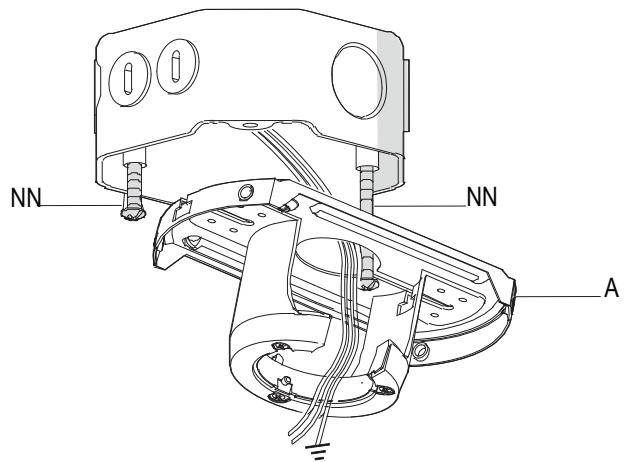
# Assembly - Hanging the Fan

## 4 Attaching the fan to the electrical box



**WARNING:** To reduce the risk of fire, electric shock or personal injury, mount to outlet box marked “acceptable for fan support of 35lbs. (15.9 kg) or less” and use screws provided with the outlet box.

- Pass the 120-Volt supply wires through the center hole in the mounting bracket (A).
- Install the ceiling mounting plate on the outlet box by sliding the mounting bracket (A) over the two screws (NN) provided with the outlet box. If necessary, use leveling washers (not included) between the mounting bracket (A) and the outlet box. Note that the flat side of the mounting bracket (A) is toward the outlet box.
- Securely tighten the two mounting screws (NN).





# Assembly - Hanging the Fan (continued)

## 5 Hanging the fan



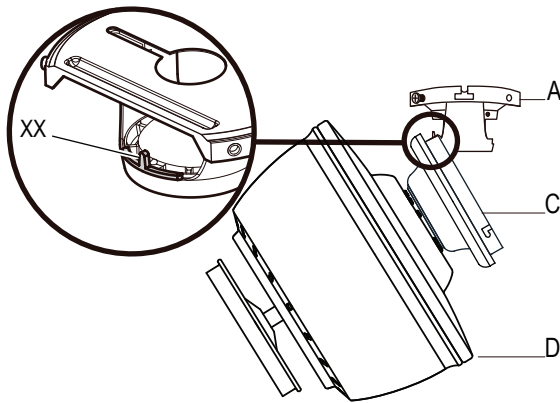
**WARNING:** The hook as shown is only to balance the fan while attaching wiring. Failure to hang as shown may result in hook breaking, causing the fan to fall. The hook must pass from inside to the outside of the canopy.



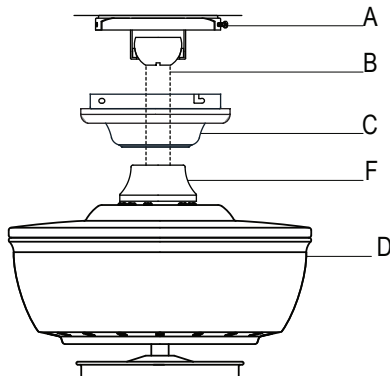
**WARNING:** When hanging the fan on the hook (XX) it is critical that you use one of the non-slotted (round) holes in the canopy (C).

- Carefully lift the fan-motor assembly (D) up to the mounting bracket (A).
- Seat the hanger ball portion of the ball/downrod assembly (B) in the slide-on mounting bracket (A) socket. Ensure that the tab on the slide-on mounting bracket (A) socket is properly seated in the groove in the hanger ball. If using close-to-ceiling mounting, hang the fan on the hook provided by utilizing one of the holes at the outer rim of the ceiling canopy (C).

Close to ceiling mount



Standard mount



## 6 Making the electrical connection

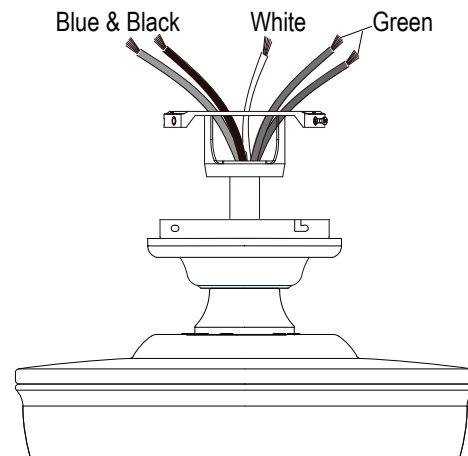
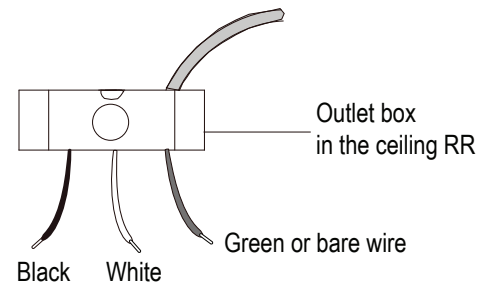


**WARNING:** Each wire nut supplied with this fan is designed to accept up to one 12-gauge house wire and two wires from the fan. If you have larger than 12-gauge house wiring or more than one house wire to connect to the fan wiring, consult an electrician for the proper size wire nuts to use.



**IMPORTANT:** Use the wire connecting nuts (BB) supplied with your fan. Secure the connectors with electrical tape and ensure there are no loose strands or connections.

- The fan comes with 54 in. lead wires for use with an extended ball/downrod (B) provided. You can cut the lead wire to your desired length (no shorter than 12 in.). This will make extra room in the canopy (C). If you do not wish to cut the wires, you will need to neatly wrap them.
- Connect the fan motor green wires to the household green or bare wire using a wire connecting nut (BB).
- Connect the fan motor white to the household white wire using a wire connecting nut (BB).
- Connect the fan motor black and blue wires to the household black wire using a wire connecting nut (BB).
- Secure each wire connecting nut (BB) using electrical tape.
- Turn the wire connecting nut (BB) upward and push the wiring into the outlet box (RR).



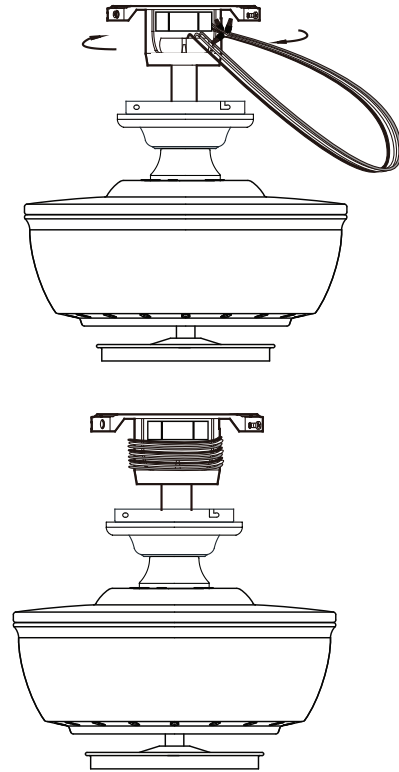
# Assembly - Hanging the Fan (continued)

## 7 Wrapping the extra wire



**NOTE:** Follow this step **ONLY** if you did not cut the extra length off from the wires coming from the ceiling fan.

- Gently wrap the excess wire around the mounting bracket.
- Secure with electrical tape.

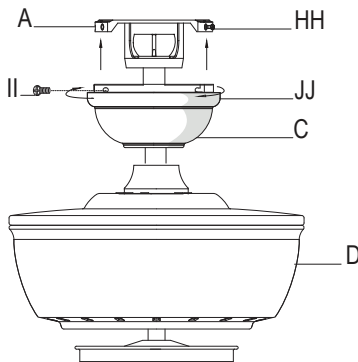


## 8 Mounting the fan



**WARNING:** When using the standard ball/downrod mounting, the tab in the ring at the bottom of the slide-on mounting bracket must rest in the groove of the hanger ball. Failure to properly seat the tab in the groove could cause damage to the wiring.

- Align the locking slots of the ceiling canopy (C) with the two screws in the mounting bracket (A). Push up to engage the slots and turn clockwise to lock in place.
- Firmly tighten the two mounting screws (HH).
- Install the remaining two mounting screws (II) into the holes in the canopy (C) and tighten firmly.
- Install the decorative canopy ring (JJ) by aligning the ring's slots with the screws in the canopy (C). Rotate the ring clockwise to lock in place.

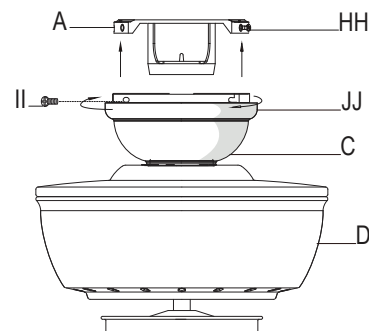


### Close-to-Ceiling Mounting



**WARNING:** The locking slots of ceiling canopy are provided only as an aid to mounting. Do not leave the fan assembly undattended until all four canopy screws are engaged and firmly tightened.

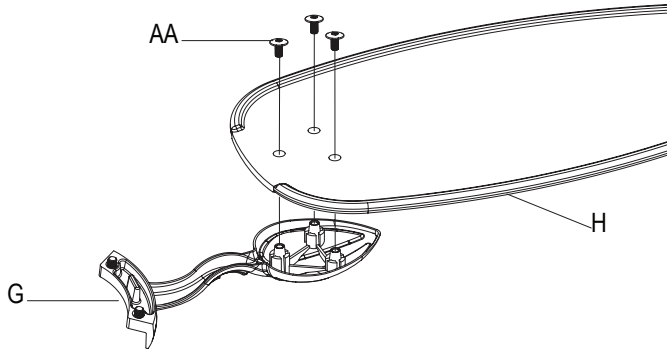
- Carefully unhook the fan from the slide-on mounting bracket (A) and align the locking slots of the ceiling canopy (C) with the two screws (HH) in the slide-on mounting bracket (A). Push up to engage the slots and turn clockwise to lock in place. Immediately tighten the two mounting screws (HH) firmly.
- Install the remaining two mounting screws (II) into the holes in the canopy (C) and tighten firmly.
- Install the decorative canopy ring (JJ) by aligning the ring's slots with the screws in the canopy (C). Rotate the ring clockwise to lock in place.
- You may now proceed to attaching the fan blades.



## Assembly - Attaching the Fan Blades

### 9 Attaching the blades to the blade brackets

- Attach a blade (H) to a blade bracket (G) by inserting screws (AA) into the holes in the blade (H) and through the blade bracket (G). Note that the rubber washers are preattached to the blade bracket (G).
- Tighten each screw securely.
- Repeat these steps for each blade (H) and blade bracket (G).



### 10 Fastening the blade assemblies to the motor

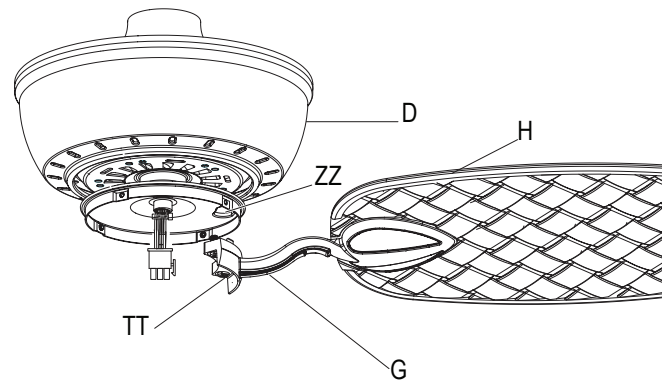


**IMPORTANT:** Remove the rubber stopper on the black bracket below the motor in order to attach the blade assembly to the motor. Replace the rubber stopper to prevent water from entering the switch housing and to reduce the risk of fire, electric shock, or other personal injury.



**IMPORTANT:** The switch cup cover has an access hole (ZZ) to allow the screwdriver to reach the screws in the blade bracket. Position the blade assemblies on the motor and tighten by inserting the screwdriver through the access hole (ZZ).

- Fasten the blade assemblies to the fan-motor assembly (D) by inserting the alignment post into the slot on the bottom of the motor and tightening the pre-installed blade bracket screws (TT) by inserting a screwdriver through the access hole (ZZ).
- Repeat this step for the remaining blade assemblies by rotating the motor until the next blade bracket screw can be accessed through the access hole (ZZ) in the switch cup.



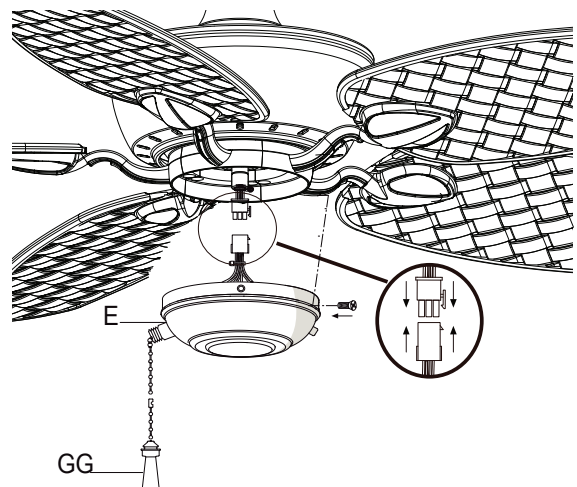
## Assembly - Attaching the Switch Cup

### 11 Attaching the switch cup



**CAUTION:** To reduce the risk of electric shock, disconnect the electrical supply circuit to the fan before installing the light fixture.

- Remove the four screws on the switch cup (E).
- Connect the wires exiting the bottom of the black bracket with the switch cup by connecting the molded adaptor connectors together.
- Secure the switch cup (E) to the black bracket using the four screws that were removed in the first step above.
- Attach the pull chain extension (GG) to the fan pull chain.



# Operating Your Fan

The pull chain controls the fan speed as follows:

1 pull - High, 2 pulls - Medium, 3 pulls - Low, and 4 pulls - Off

Speed settings for warm or cool weather depend on factors such as room size, ceiling height, number of fans, and so on.

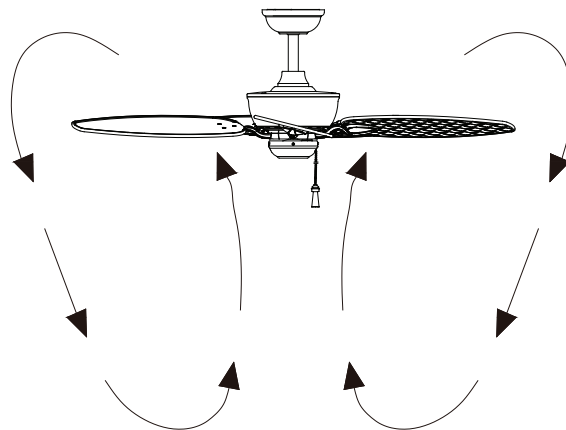
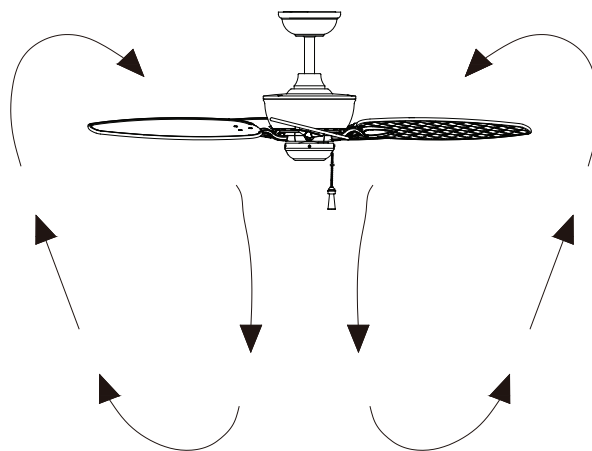


**NOTE:** Wait for the fan to stop before reversing the direction of blade rotation.

The slide switch controls the direction: forward (switch left) or reverse (switch right).

**Warm weather - (Forward)** A downward airflow creates a cooling effect. This allows you to set your air conditioner on a higher setting without affecting your comfort.

**Cool weather - (Reverse)** An upward airflow moves warm air off of the ceiling. This allows you to set your heating unit on a lower setting without affecting your comfort.



# Care and Cleaning



**WARNING:** Make sure the power is off before cleaning your fan.

- Because of the fan's natural movement, some connections may become loose. Check the support connections, brackets, and blade attachments twice a year. Make sure they are secure. It is not necessary to remove the fan from the ceiling.
- Clean your fan periodically to help maintain its new appearance over the years. Do not use water when cleaning, as this could damage the motor, or the wood, or possibly cause an electrical shock. Use only a soft brush or lint-free cloth to avoid scratching the finish. The plating is sealed with a lacquer to minimize discoloration or tarnishing.
- You can apply a light coat of furniture polish to the wood for additional protection and enhanced beauty. Cover small scratches with a light application of shoe polish.
- You do not need to oil your fan. The motor has permanently lubricated sealed ball bearings.

# Troubleshooting

Problem	Solution
The fan will not start.	<ul style="list-style-type: none"><li>□ Check the main and branch circuit fuses or breakers.</li><li>□ Check the line wire connections to the fan and switch wire connections in the switch housing.</li></ul>
The fan is noisy.	<ul style="list-style-type: none"><li>□ Ensure all motor housing screws are snug.</li><li>□ Ensure the screws that attach the fan blade bracket to the motor hub are tight.</li><li>□ Ensure the wire nut connections are not rattling against each other or the interior wall of the switch housing.</li><li>□ Allow a 24-hour "breaking in" period. Most noises associated with a new fan disappear during this time.</li><li>□ If you are using the Ceiling Fan light kit, ensure the screws securing the glassware are tight. Check that the light bulbs are also secure.</li><li>□ Ensure the canopy is a short distance from the ceiling. It should not touch the ceiling.</li><li>□ Ensure your outlet box is secure and rubber isolator pads were used between the mounting plate and outlet box.</li></ul>
The fan wobbles.	<ul style="list-style-type: none"><li>□ Check that all blade and blade arm screws are secure.</li><li>□ Most fan wobble problems are caused when blade levels are unequal. Check this level by selecting a point on the ceiling above the tip of one of the blades. Measure from a point on the center of each blade to the point on the ceiling. Measure this distance. Rotate the fan until the next blade is positioned for measurement. Repeat for each blade. Any measurement deviation should be within 1/8 in. Run the fan for ten minutes. Run the fan for ten minutes. If the fan continues to wobble please contact Customer Service and a balancing kit will be sent to you at no charge.</li></ul>



Questions, problems, missing parts? Before returning to the store,  
call Hampton Bay Customer Service  
8 a.m. - 7 p.m., EST, Monday-Friday, 9 a.m. - 6 p.m., EST, Saturday

**1-855-HD-HAMPTON**

**HAMPTONBAY.COM**

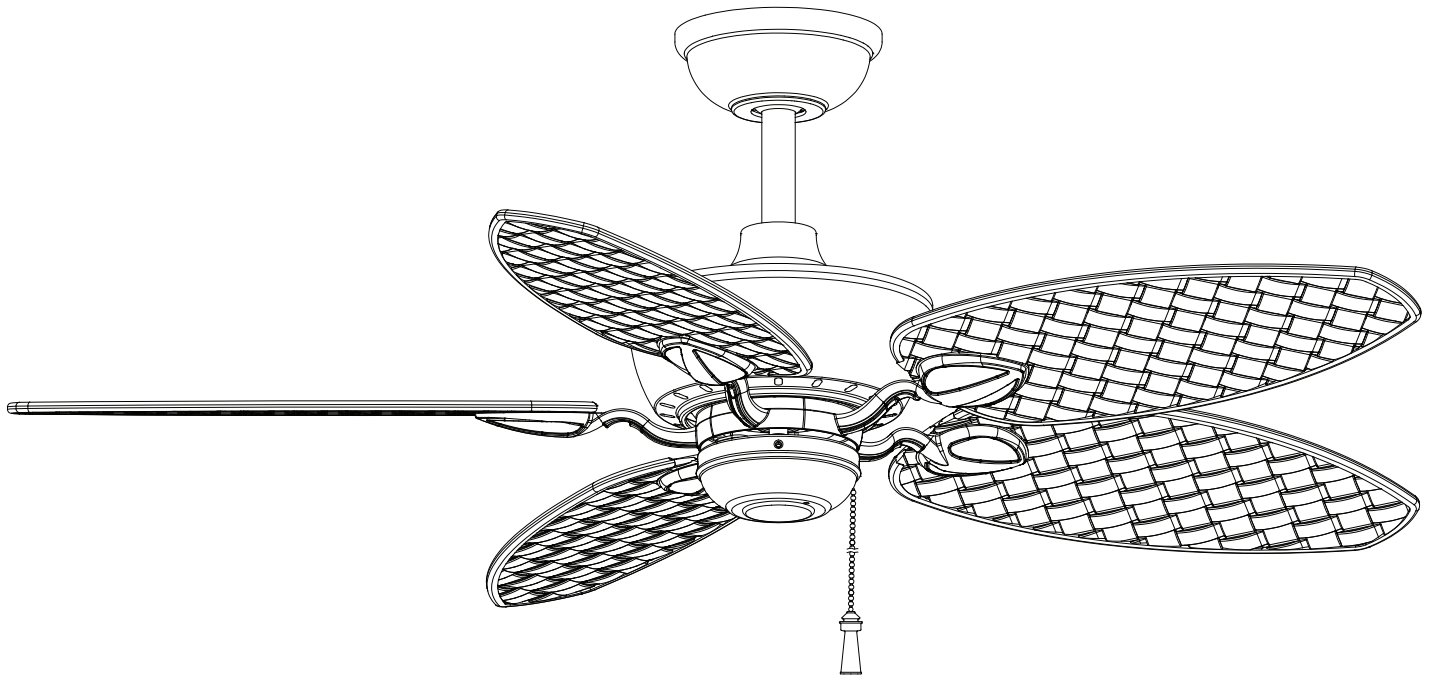
Retain this manual for future use.



Artículos #1000 060 168,  
1000 554 711, 1000 060 180  
Modelos # 26682, 26684, 26685  
Modelo #48-LG aprobado por UL

# GUÍA DE USO Y MANTENIMIENTO

## VENTILADOR DE TECHO LARGO, DE 122 CM

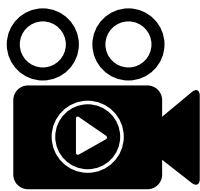


¿Preguntas, problemas o piezas faltantes? Antes de devolver a la tienda,  
llama al servicio al cliente de Hampton Bay

De lunes a viernes, entre 8:00 a.m. y 7:00 p.m. (Este), y los sábados de 9:00 a.m. a 6:00 p.m. (Este)

1-855-HD-HAMPTON

HAMPTONBAY.COM



Para ver un video instructivo sobre cómo instalar este producto:

1. Ir a [www.homedepot.com](http://www.homedepot.com) e introduzca el artículo o el número de modelo, que se encuentra en la part superior esquina derecha de la portada de este manual de instrucciones, en el campo de búsqueda.
2. Haga clic en su producto de la lista de resultados de búsqueda y hacer clic en el enlace del video en la sección "Descripción del producto".

### GRACIAS POR TU COMPRA

*Apreciamos la confianza que has depositado en Hampton Bay al comprar este ventilador de techo. Nos esforzamos continuamente en crear productos de calidad diseñados para mejorar tu hogar. Visítanos por Internet para ver nuestra línea completa de productos disponibles a fin de satisfacer tus necesidades de mejoras del hogar. ¡Gracias por elegir Hampton Bay!*

# Tabla de contenido

Tabla de contenido .....	2	Ensamblaje.....	7
Información de seguridad.....	2	Funcionamiento .....	12
Garantía .....	3	Mantenimiento y limpieza.....	13
Preinstalación .....	3	Solución de problemas .....	13
Instalación.....	6		

## Información de seguridad

1. Para disminuir el riesgo de descarga eléctrica, asegure cortar la electricidad en el cortacircuitos o la caja de fusibles antes de comenzar.
2. Todo el cableado tiene que cumplir con el Código Nacional de Electricidad ANSI/NFPA 70-1999 y con los códigos locales de electricidad. La instalación eléctrica debe hacerse por un electricista con licencia y calificado.
3. La caja eléctrica y estructura de soporte tienen que montarse de forma segura para poder sostener con confianza 35 lb (15.9 kg). Usa solo cajas eléctricas aprobadas por UL y marcadas como "apropiadas para sostener ventiladores de 35 lb (15.9 kg) o menos".
4. El ventilador tiene que montarse con separación mínima de 7 pies (2.1 m) entre el borde trasero de las aspas y el piso.
5. No uses el interruptor de reversa mientras las aspas del ventilador estén en movimiento. Tienes que apagar el ventilador y detener las aspas antes de invertir su sentido de giro.
6. No coloques objetos en la trayectoria de las aspas.
7. Para evitar lesiones personales o daños al ventilador y otros artículos, ten cuidado al limpiarlo o al trabajar cerca de él.
8. Los diagramas eléctricos son sólo para referencia. Los kits de luces no empaquetados con el ventilador tienen que estar aprobados por UL y marcados como apropiados para usar con el modelo de ventilador que estás instalando. Si usas este ventilador en un lugar húmedo o mojado, el kit de luces debe estar marcado como "Adecuado para Uso en Lugares Húmedos". Para ensamblar bien, consulta las instrucciones adjuntas a los kits de luces e interruptores.
9. Este producto es adecuado para usar en lugares húmedos si se instala en un circuito derivado protegido por interruptor diferencial (GFCI).
10. Antes de la instalación, todos los tornillos de fijación tienen que comprobarse y reajustarse donde sea necesario.



**ADVERTENCIA:** Para reducir el riesgo de lesiones personales, no dobles los soportes de las aspas (también llamados "bridas") durante o después de la instalación. No coloques objetos en la trayectoria de las aspas.



**ADVERTENCIA:** Para reducir el riesgo de incendio, descarga eléctrica u otras lesiones, instala sólo en una caja eléctrica clasificada como "apropiada para sostener ventiladores de 35 lb (15.9 kg) o menos", y usa sólo los tornillos incluidos con la caja eléctrica.



**ADVERTENCIA:** Quita los tapones de hule del motor en la parte inferior del ventilador antes de instalar las aspas o de verificar el motor.



**ADVERTENCIA:** Para reducir el riesgo de incendio o descarga eléctrica, no utilices este ventilador con ningún dispositivo de estado sólido para control de velocidad.



**ADVERTENCIA:** Para evitar posible descarga eléctrica, desconecta la electricidad en la caja principal de fusibles antes cablear. Si crees que no tienes suficiente conocimiento o experiencia sobre cableado eléctrico, contacta a un electricista certificado.



**ADVERTENCIA:** Los diagramas eléctricos son solo para referencia. Cualquier kit de luces opcional debe estar aprobado por UL y marcado como adecuado para usar con este ventilador.



**PRECAUCIÓN:** Para reducir el riesgo de lesiones personales, usa solo los tornillos incluidos con la caja eléctrica.



# Garantía

El proveedor garantiza de por vida, a partir de la fecha de adquisición por el comprador original, que el motor del ventilador no presenta defectos de fabricación ni de materiales al momento del envío desde la fábrica. El proveedor también garantiza, por un año a partir de la fecha de adquisición por el comprador original, que ninguna de las demás piezas del ventilador, excluyendo las aspas de vidrio o acrílico, presenta defectos de fabricación ni de materiales al momento del envío desde la fábrica. Si el producto es devuelto, aceptamos reparar sus defectos sin cargo alguno o, a nuestra discreción, reemplazarlo por un modelo similar o superior. Para obtener servicio de garantía tienes que presentar una copia del recibo como comprobante de compra. Todos los costos de retiro y reinstalación del producto correrán por cuenta del cliente. No están cubiertos bajo esta garantía los daños a ninguna de las piezas como resultado de accidentes, instalación o uso incorrectos o por instalación de cualquier accesorio. Puesto que las condiciones climáticas pueden variar, esta garantía no cubre ningún cambio del acabado en latón, como óxido, perforación, corrosión, manchas o descascamiento. Este tipo de acabados en latón alargan la vida útil al proteger contra las condiciones climáticas cambiantes. Cierta "oscilación" es normal y no debe considerarse un defecto. Cualquier servicio prestado por personal no autorizado invalidará la garantía. No hay ninguna otra garantía expresa. Por este medio Hampton Bay se exime de toda garantía, incluyendo, pero sin limitarse a, aquellas de comercialización e idoneidad para un fin particular, en el alcance permitido por la ley. La duración de cualquier garantía implícita que no pueda exonerarse se limita al período especificado en la garantía explícita. Algunos estados no permiten limitar la duración de la garantía, así que la limitación anterior pudiera no aplicarse a su caso. El minorista no será responsable por daños directos, indirectos o especiales que resulten o deriven del uso o funcionamiento del producto, excepto en los casos estipulados de otro modo por la ley. Algunos estados no permiten excluir ni limitar daños directos o indirectos, así que la limitación o exclusión anterior pudiera no aplicarse a su caso. Esta garantía otorga derechos legales específicos y es posible que usted tenga también otros derechos, que varían de un estado a otro. Esta garantía sustituye todas las garantías anteriores. Los costos de envío en cualquier devolución de productos como parte de una reclamación de garantía corren por cuenta del cliente.

Comuníquese con el equipo de servicio al cliente por el teléfono 1-855-HD-HAMPTON o visite [www.HamptonBay.com](http://www.HamptonBay.com).

# Preinstalación

## ESPECIFICACIONES

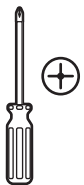
Tamaño	Velocidad	Voltios	Amperios	Watts	RPM	PIES <sup>3</sup> /MIN	Peso neto	Peso bruto	Pies cúbicos
48 plg (122 cm)	Baja	120	0.25	15	80	1794	21.38 lb (9.7 kg)	23.5 lb (10.7 kg)	1.43 pies <sup>3</sup>
	Media		0.38	32	125	2923			
	Alta		0.54	64	185	4286			



**NOTA:** Estas medidas son aproximadas. No se incluyen ni el amperaje ni el voltaje consumidos por el kit de luces.



## HERRAMIENTAS NECESARIAS



Destornillador  
Phillips



Destornillador  
plano



Llave  
ajustable



Cinta de  
electricista



Cortacables



Escalera de tijera

# Preinstalación (continuación)

## SE INCLUYEN HERRAJES



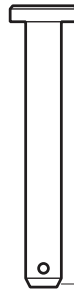
NOTA: Los herrajes no se muestran en tamaño real.



AA



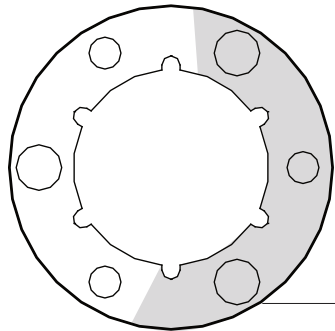
BB



CC



DD



EE



FF



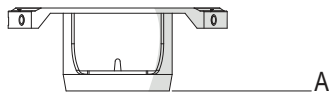
GG

Pieza	Descripción	Cantidad
AA	Herrajes para montaje de las aspas	16
BB	Tuercas de conexión de cables	3
CC	Pasador de soporte	1
DD	Pasador de cierre	1

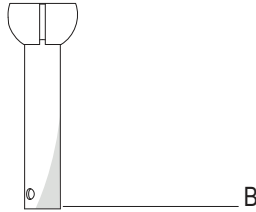
Pieza	Descripción	Cantidad
EE	Junta de hule para montaje cerca del techo	1
FF	Herrajes adicionales para montaje de aspas	1
GG	Interruptor de cadena	1

# Preinstalación (continuación)

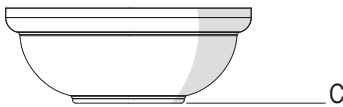
## CONTENIDO DEL PAQUETE



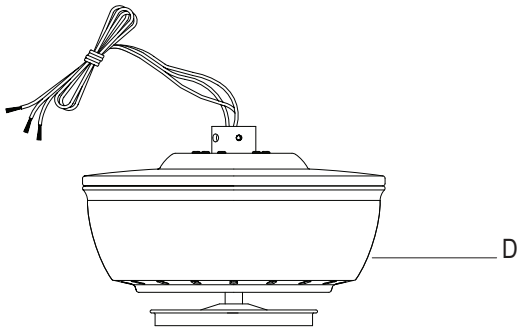
A



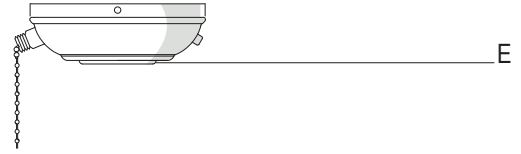
B



C



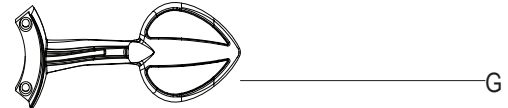
D



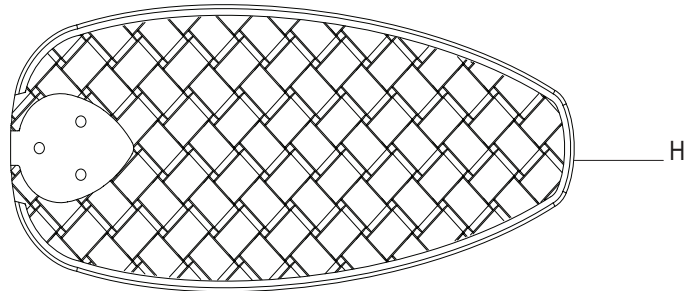
E



F



G



H

Pieza	Descripción	Cantidad
A	Soporte de montaje deslizante (dentro de la cubierta)	1
B	Conjunto del tubo bajante/bola	1
C	Cubierta con aro incorporado	1
D	Conjunto motor-ventilador	1

Pieza	Descripción	Cantidad
E	Caja del interruptor	1
F	Cubierta decorativa del collarín del motor	1
G	Soporte del aspa (brida), tornillos preinstalados	5
H	Aspa	5



**IMPORTANTE:** Este producto o sus componentes están protegidos por una o más de las siguientes patentes de los EE. UU.: 5,947,436; 5,988,580; 6,010,110; 6,046,416, 6,210,117, así como otras patentes pendientes.

## OPCIONES DE MONTAJE

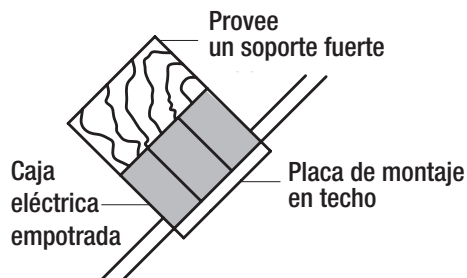
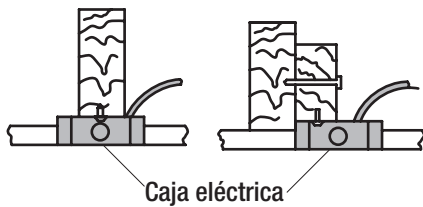
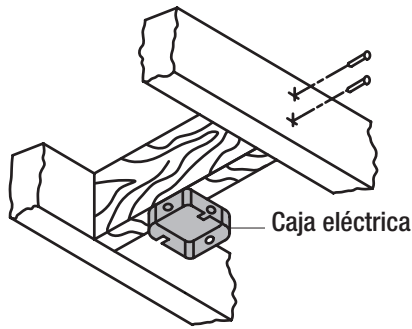


**ADVERTENCIA:** Para reducir el riesgo de incendio, descarga eléctrica u otras lesiones, instala sólo en una caja eléctrica clasificada como “apropiada para sostener ventiladores de 35 lb (15.9 kg) o menos”, y usa sólo los tornillos incluidos con la caja eléctrica. Las cajas eléctricas que suelen utilizarse para el soporte de lámparas pudieran no servir como soporte del ventilador y tal vez deban reemplazarse. En caso de duda, consulta a un electricista calificado.

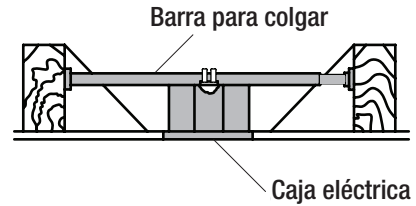
Si tu ventilador de techo no tiene una caja de montaje aprobada por UL, instala una siguiendo las instrucciones a continuación:

- Desconecta la energía retirando los fusibles o apagando los cortacircuitos.
- Asegura la caja eléctrica directamente a la estructura de la edificación. Usa sujetadores y materiales apropiados. La caja eléctrica y su soporte tienen que ser aptos para sostener completamente el peso en movimiento del ventilador (al menos 35 lb: 15.9 kg). No uses una caja eléctrica de plástico.

Las ilustraciones a continuación muestran tres formas distintas de montar la caja eléctrica.



**NOTA:** Tal vez necesites un tubo bajante más largo para mantener la altura mínima adecuada de las aspas al instalar el ventilador en un techo inclinado. El ángulo máximo permitido es 30° desde la horizontal.



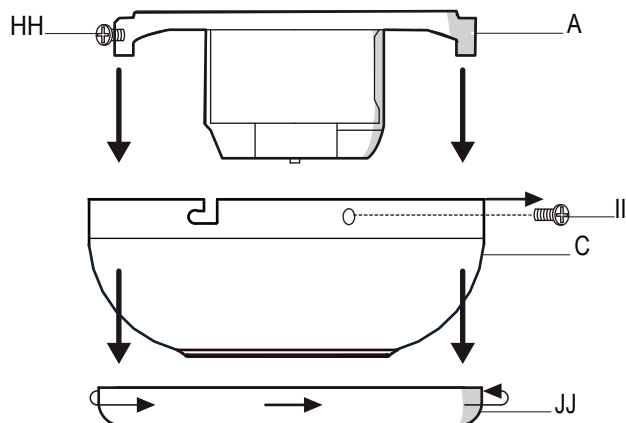
Si la cubierta toca el tubo bajante, retira la tapa inferior decorativa y gira la cubierta 180° antes de fijarla a la placa de montaje.

Para colgar el ventilador donde haya una lámpara, pero ninguna viga de techo, tal vez necesites una barra colgante como se muestra más arriba (disponible en cualquier tienda de The Home Depot).

# Ensamblaje - Montaje estándar en techo

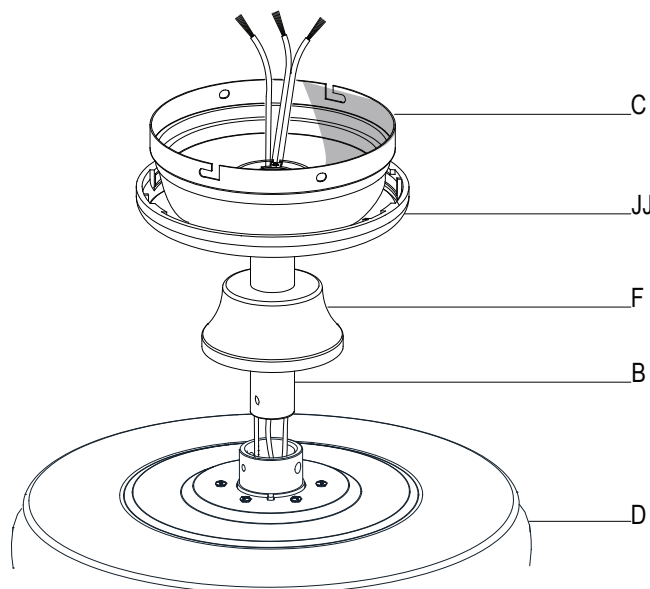
## 1 Preparación para el montaje

- Retira de la cubierta (C) su aro (JJ) girándolo hacia la izquierda hasta liberarlo.
- Retira el soporte de montaje (A) de la cubierta (C) aflojando los dos tornillos (HH) ubicados en las "ranuras en L".
- Quita y guarda los dos tornillos de la cubierta (II) en los orificios redondos. Esto te permitirá retirar el soporte de montaje (A).



## 2 Cómo tender los cables

- Inserta los cables que salen por la parte superior de la carcasa del motor-ventilador (D) en la cubierta decorativa del collarín del motor (F) y a través del aro de la cubierta (JJ).
- Asegura que las aberturas de ranura estén en la parte superior; primero inserta los cables por la cubierta (C) y enseguida a través del conjunto tubo bajante/bola (B).

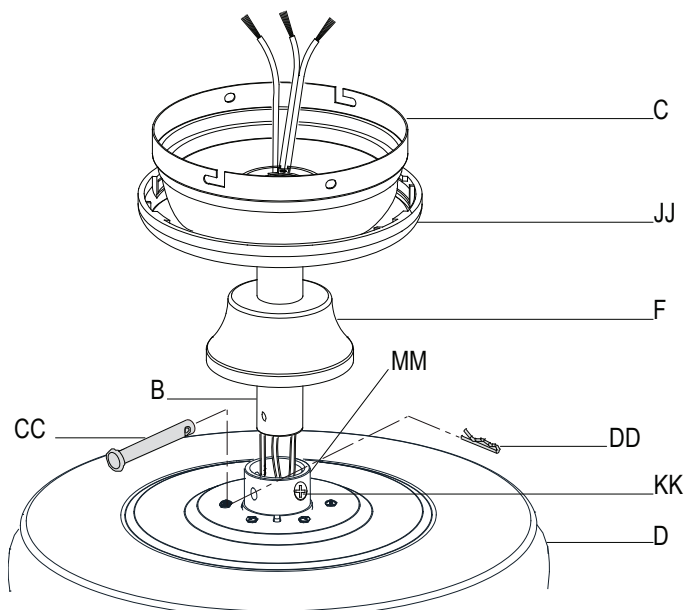


## 3 Cómo ensamblar el ventilador



**ADVERTENCIA:** Si no instalas correctamente el pasador de cierre, es posible que el ventilador se afloje y se caiga.

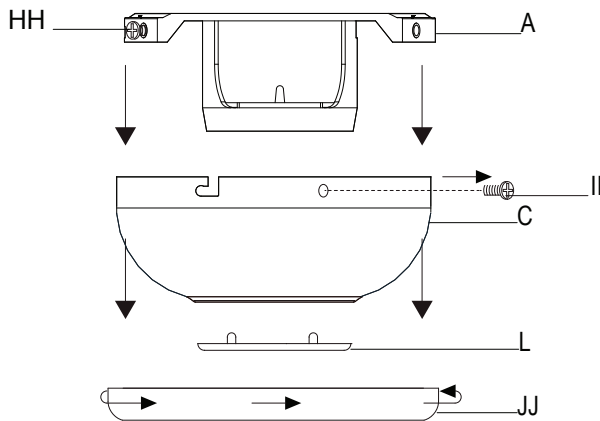
- Afloja, sin quitarlo, el tornillo de fijación (KK) del collarín (MM) en la parte superior de la carcasa del motor-ventilador (D).
- Alinea los orificios en la parte inferior del tubo bajante (B) con los orificios en el collarín (MM) de la parte superior de la carcasa del motor-ventilador (D).
- Inserta con cuidado el pasador de soporte (CC) a través de los orificios del collarín (MM) y del tubo bajante (B). Ten cuidado de no apretar el pasador de soporte (CC) contra el cableado dentro del tubo bajante (B).
- Inserta el pasador de cierre (DD) en el orificio cercano al extremo del pasador de soporte (CC) hasta que encaje en su posición.
- Vuelve a apretar los tornillos de fijación del collarín (MM) ubicados en la parte superior de la carcasa del motor-ventilador (D).



# Ensamblaje – Montaje cerca del techo

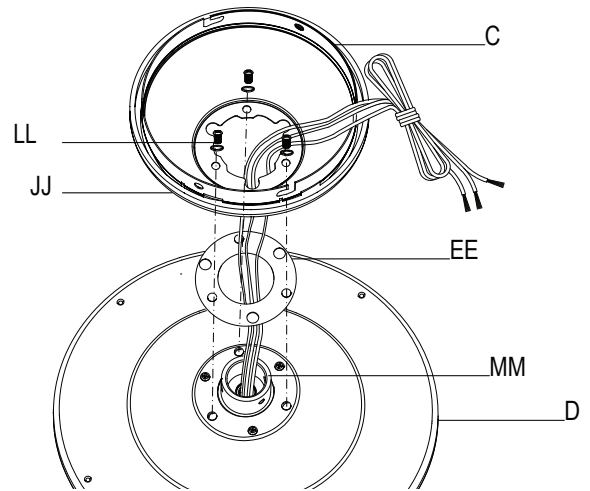
## 1 Preparación para el montaje

- Retira de la cubierta (C) su aro (JJ) girándolo hacia la izquierda hasta liberarlo.
- Retira el soporte de montaje (A) de la cubierta (C) aflojando los dos tornillos (HH) ubicados en las “ranuras en L”.
- Quita y guarda los dos tornillos de la cubierta (II) en los orificios redondos. Esto te permitirá retirar el soporte de montaje (A).
- Retira la cubierta inferior decorativa (L) de la cubierta (C) oprimiendo los tres pernos.



## 2 Cómo tender los cables

- Retira tres de los seis tornillos y arandelas de seguridad (LL) (alternados) que sujetan el collarín del motor (MM) a la parte superior de la carcasa del motor-ventilador (D).
- Coloca la junta de hule (EE) sobre los tres tornillos restantes, pasa los cables que salen de la parte superior de la carcasa del motor-ventilador a través del aro de la cubierta (JJ) (asegúrate de que las aberturas de las ranuras miren hacia arriba) y coloca enseguida la cubierta de techo (C) sobre el collarín en la parte superior la carcasa del motor-ventilador (D).
- Alinea los orificios de montaje con los orificios de la carcasa del motor-ventilador (D) y asegura con los tres tornillos y arandelas de seguridad (LL) que retiraste previamente. Aprieta bien los tornillos de montaje.



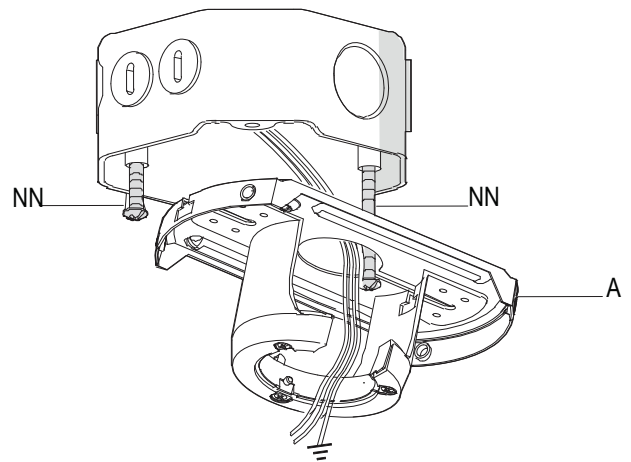
# Ensamblaje - Cómo colgar el ventilador

## 4 Cómo fijar el ventilador a la caja eléctrica



**ADVERTENCIA:** Para reducir el riesgo de incendio, descarga eléctrica u otras lesiones, instala sólo en una caja eléctrica clasificada como “apropiada para sostener ventiladores de 35 lb (15.9 kg) o menos”, y usa sólo los tornillos incluidos con la caja eléctrica.

- Pasa los cables de suministro de 120 V a través del orificio central en el soporte de montaje (A).
- Instala la placa de montaje en techo sobre la caja eléctrica deslizando el soporte de montaje (A) sobre los dos tornillos (NN) incluidos con la caja. Si es necesario, usa arandelas niveladoras (no incluidas) entre el soporte de montaje (A) y la caja eléctrica. Fíjate en que el lado plano del soporte de montaje (A) quede apuntando hacia la caja eléctrica.
- Aprieta firmemente los dos tornillos de montaje (NN).



# Ensamblaje - Cómo colgar el ventilador (continuación)

## 5 Cómo colgar el ventilador



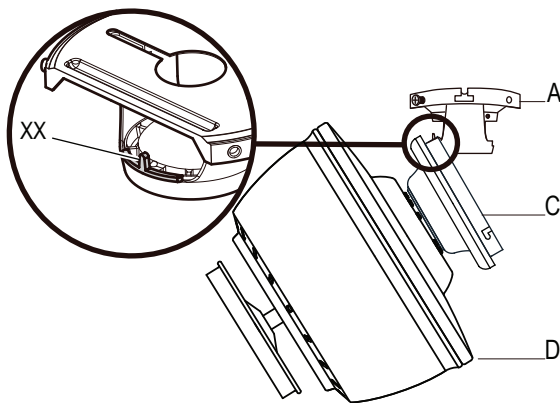
**ADVERTENCIA:** El gancho, tal y como se muestra, es solo para sostener el ventilador mientras se conectan los cables. Si no se cuelga como se muestra puede romperse el gancho y el ventilador se caerá. El gancho tiene que pasar desde adentro hacia fuera de la cubierta.



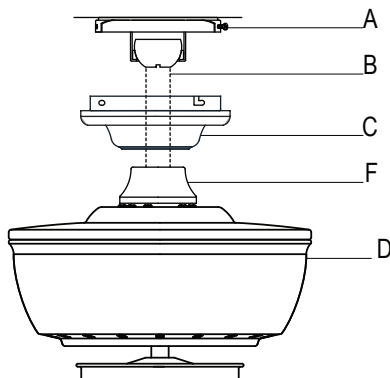
**ADVERTENCIA:** Al colgar el ventilador en el gancho (XX), es fundamental que uses uno de los orificios sin ranura (redondos) de la cubierta (C).

- Con cuidado, alza el conjunto motor-ventilador (D) hasta el soporte de montaje (A).
- Coloca la bola de soporte del conjunto del tubo bajante/bola (B) en el casquillo del soporte de montaje deslizante (A). Asegúrate de que la pestaña en el casquillo del soporte de montaje deslizante (A) encaje bien dentro de la ranura de la bola de soporte. Si montas cerca del cielo raso, cuelga el ventilador del gancho incluido usando uno de los orificios en el borde exterior de la cubierta de techo (C).

Montaje cerca del techo



Montaje estándar



## 6 Cómo realizar las conexiones eléctricas

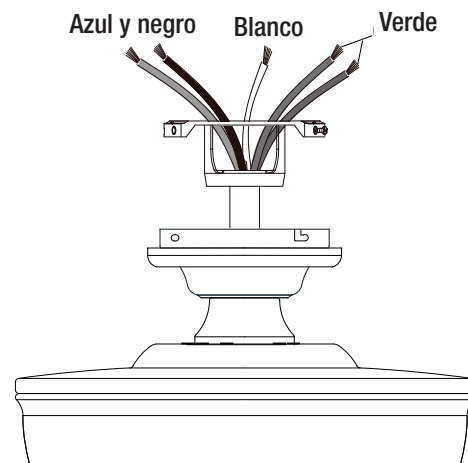
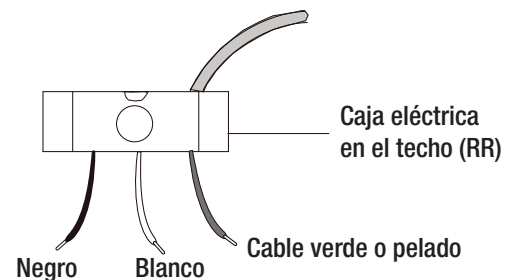


**ADVERTENCIA:** Cada tuerca para cable suministrado con este ventilador está diseñada para aceptar un cableado doméstico de hasta calibre 12 y dos cables del ventilador. Si tienes un cableado doméstico superior a calibre 12 o más de un cable doméstico para conectar al cableado del ventilador, consulta a un electricista cuál es el tamaño adecuado de las tuercas para cables a usar.



**IMPORTANTE:** Usa las tuercas de conexión de cables (BB) que vienen con tu ventilador. Sujeta los conectores con cinta de electricista y asegura que no haya conexiones ni cables sueltos.

- El ventilador viene con cables terminales de 54 plg (137.2 cm) para usar con el conjunto extendido de tubo bajante/bola (B) incluido. Puedes recortar los cables terminales al largo deseado (no menos de 12 plg = 30.5 cm). Esto dejará más espacio en la cubierta (C). Si no quieres cortar los cables, deberás enrollarlos cuidadosamente.
- Conecta los cables verdes del motor del ventilador a los cables verde o pelado del hogar usando una tuerca de conexión de cables (BB).
- Conecta el cable blanco del motor del ventilador al cable blanco del hogar usando una tuerca de conexión de cables (BB).
- Conecta el cable negro y azul del motor del ventilador al cable negro del hogar usando una tuerca de conexión de cables (BB).
- Asegura cada tuerca de conexión de cables (BB) con cinta de electricista.
- Gira la tuerca de conexión de cables (BB) hacia arriba y coloca el cableado dentro de la caja eléctrica (RR).



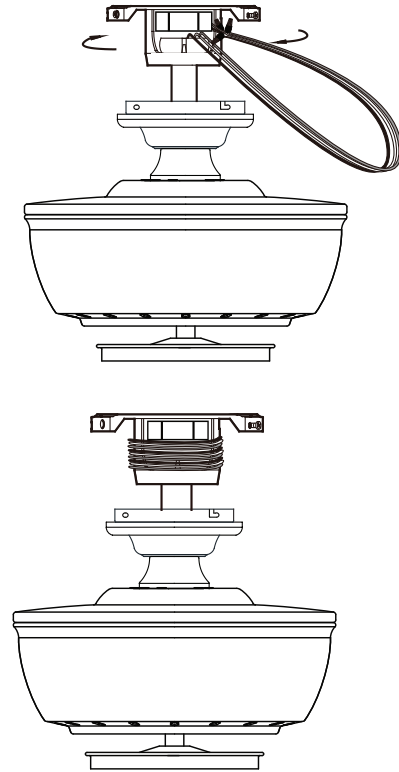
# Ensamblaje - Cómo colgar el ventilador (continuación)

## 7 Cómo enrollar el cable sobrante



**NOTA:** Sigue estos pasos SOLO si no cortaste el cable sobrante del ventilador de techo.

- Con cuidado, enrolla el exceso de cable alrededor del soporte de montaje.
- Asegura con cinta de electricista.

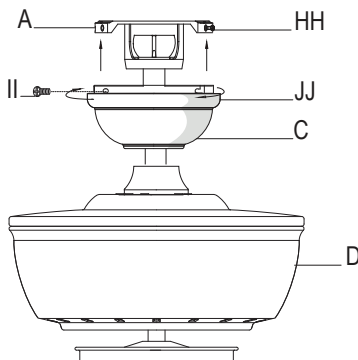


## 8 Cómo montar el ventilador



**ADVERTENCIA:** Cuando uses el montaje del tubo bajante/bola estándar, la pestaña en el aro en la parte inferior del soporte de montaje deslizante tiene que encajar en la ranura de la bola de soporte. Si la pestaña no se asienta correctamente en la ranura, se puede dañar el cableado.

- Alinea las ranuras de cierre de la cubierta de techo (C) con los dos tornillos del soporte de montaje (A). Empuja hacia arriba para enganchar las ranuras y gira de izquierda a derecha para asegurarlas en su sitio.
- Ajusta firmemente los dos tornillos de montaje (HH).
- Instala los dos tornillos de montaje restantes (II) en los orificios de la cubierta (C) y aprieta firmemente.
- Instala el aro de cubierta decorativo (JJ) alineando las ranuras del aro con los tornillos en la cubierta (C). Gira el aro hacia la derecha para fijarlo en su lugar.

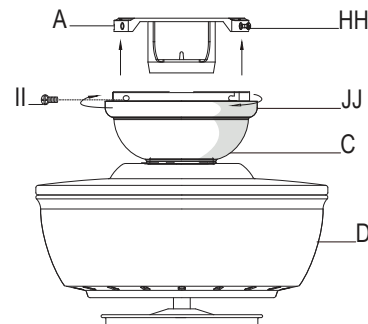


### Montaje cerca del techo



**ADVERTENCIA:** Las ranuras de cierre de la cubierta del techo sólo sirven de ayuda durante la instalación. No dejes sin supervisión el ensamblaje del ventilador hasta que los cuatro tornillos de la cubierta se fijen y ajusten firmemente.

- Con cuidado desengancha el ventilador del soporte de montaje deslizante (A) y alinea las ranuras de cierre de la cubierta del techo (C) con los dos tornillos (HH) en el soporte (A). Empuja hacia arriba para enganchar las ranuras y gira de izquierda a derecha para asegurarlas en su sitio. Ajusta inmediatamente con firmeza los dos tornillos de montaje (HH).
- Instala los dos tornillos de montaje restantes (II) en los orificios de la cubierta (C) y aprieta firmemente.
- Instala el aro de cubierta decorativo (JJ) alineando las ranuras del aro con los tornillos en la cubierta (C). Gira el aro hacia la derecha para fijarlo en su lugar.
- Ahora puedes fijar las aspas del ventilador.

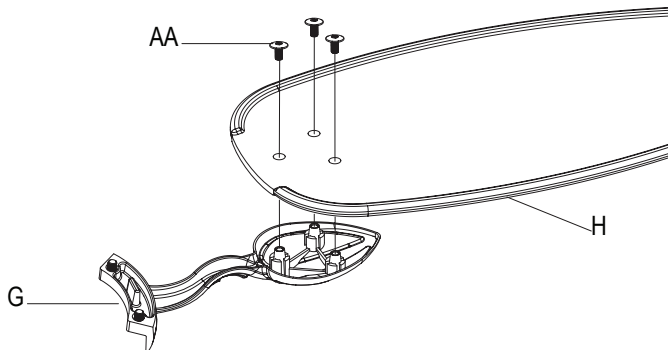




# Ensamblaje - Cómo fijar las aspas del ventilador

## 9 Cómo fijar las aspas a sus soportes

- Monta un aspa (H) en un soporte (G) colocando los tornillos (AA) en los orificios del aspa (H) y a través del soporte (G). Fíjate que las arandelas de hule están preinstaladas en el soporte del aspa (G).
- Aprieta firmemente todos los tornillos.
- Repite estos pasos para cada aspa (H) y su soporte (G).



## 10 Cómo fijar los ensamblajes de las aspas al motor

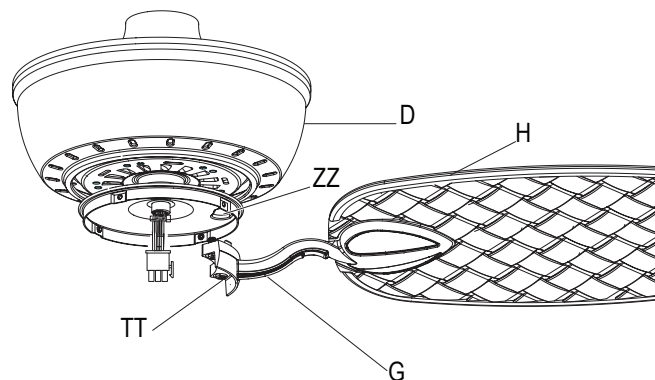


**IMPORTANTE:** Quita el tope de hule del soporte negro bajo el motor para instalar el ensamblaje de las aspas en el motor. Vuelve a colocar el tope de hule para evitar que entre agua a la caja del interruptor y reducir el riesgo de incendios, descargas eléctricas o lesiones físicas por otras causas.



**IMPORTANTE:** La cubierta de la caja del interruptor tiene un orificio de acceso (ZZ) para permitir que el destornillador llegue a los tornillos en el soporte del aspa. Coloca los ensamblajes de aspa sobre el motor y aprieta insertando el destornillador a través del orificio de acceso (ZZ).

- Fija los ensamblajes de aspa al conjunto motor-ventilador (D) insertando el poste de alineación dentro de la ranura de la parte inferior del motor; ajusta los tornillos preinstalados del soporte de aspa (TT) insertando un destornillador a través del orificio de acceso (ZZ).
- Repite este paso para los ensamblajes de aspa restantes girando el motor hasta que se pueda acceder al siguiente tornillo de soporte de aspa a través del orificio de acceso (ZZ) en la caja del interruptor.



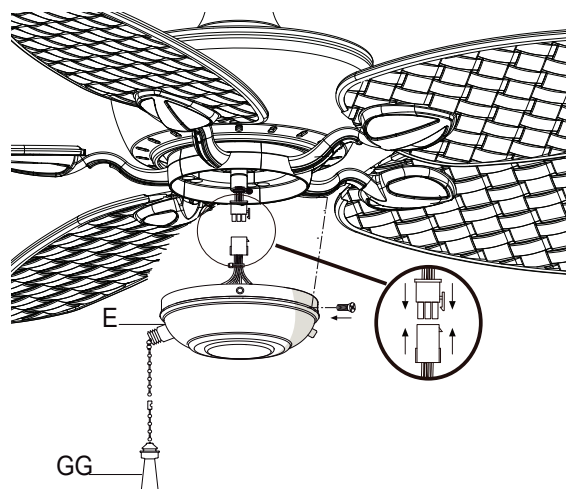
# Ensamblaje - Cómo instalar la caja del interruptor

## 11 Cómo instalar la caja del interruptor



**PRECAUCIÓN:** Para disminuir el riesgo de descarga eléctrica, desconecta el circuito eléctrico del ventilador antes de instalar la lámpara.

- Quita los cuatro tornillos de la caja del interruptor (E).
- Conecta los cables que salen de la parte inferior del soporte negro con la caja del interruptor, al unir los conectores moldeados.
- Asegura la caja del interruptor (E) al soporte negro usando los cuatro tornillos que se quitaron en el primer paso.
- Conecta la extensión de interruptor de cadena (GG) al interruptor de cadena del ventilador.



# Cómo usar el ventilador

El interruptor de cadena controla las velocidades del ventilador de la siguiente manera:

1 vez: alta, 2 veces: media, 3 veces: baja y 4 veces: apagado.

Las configuraciones de velocidad para clima cálido o frío dependen de factores como el tamaño de la habitación, la altura del techo, la cantidad de ventiladores y otras.

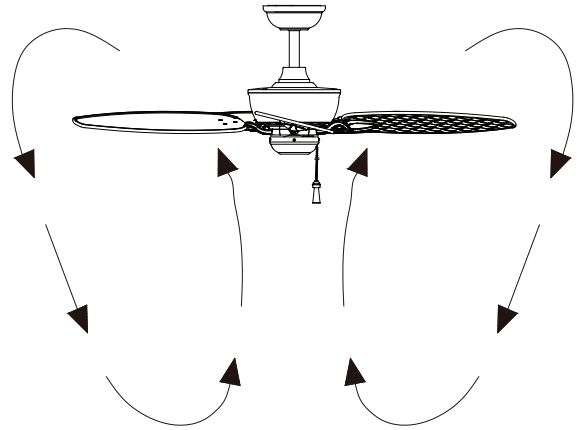
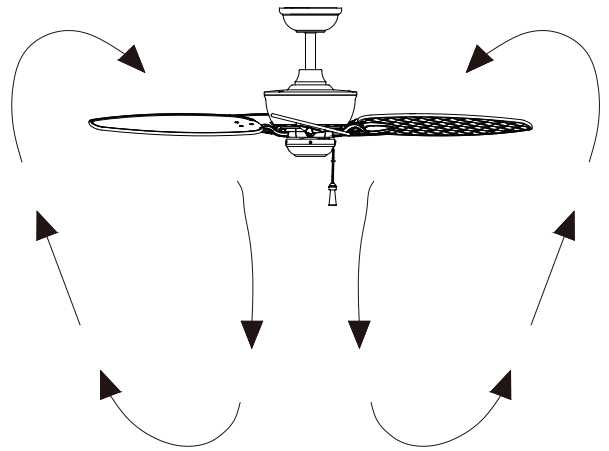


**NOTA:** Espera a que se detenga el ventilador antes de invertir la dirección de giro de las aspas.

El interruptor deslizable controla la dirección: adelante (hacia la izquierda) o en reversa (hacia la derecha).

**Clima cálido - (Hacia adelante)** Un flujo de aire descendente surte efecto refrescante. Esto te permite fijar el aire acondicionado en configuración más alta sin afectar tu comodidad.

**Clima frío - (Reversa)** Un flujo de aire hacia arriba desplaza el aire cálido lejos del techo. Esto te permite fijar la unidad de calefacción en configuración más baja sin afectar tu comodidad.



# Mantenimiento y limpieza



**ADVERTENCIA:** Antes de limpiar tu ventilador, asegura que la electricidad esté cortada.

- Por causa del movimiento natural del ventilador, algunas conexiones pueden aflojarse. Revisa dos veces al año las conexiones de soporte, los soportes y los accesorios de las aspas. Comprueba que estén seguros. No es necesario desmontar el ventilador del techo.
- Limpia el ventilador con frecuencia para que luzca como nuevo al paso de los años. No uses agua al limpiar. Esto puede dañar el motor o la madera e incluso provocar descarga eléctrica. Usa sólo un cepillo suave o un paño sin pelusas para evitar arañar el acabado. El revestimiento está sellado con laca para minimizar la decoloración u opacidad.
- Puedes aplicar a la madera una fina capa de pulimento para muebles y asegurar así mayor protección y superior belleza. Cubre los arañazos pequeños con una leve aplicación de lustrador para calzado.
- No necesitas lubricar tu ventilador. El motor tiene cojinetes de bola sellados permanentemente lubricados.

# Solución de problemas

Problema	Solución
El ventilador no enciende.	<ul style="list-style-type: none"><li><input type="checkbox"/> Verifica los fusibles o cortacircuitos principales y secundarios.</li><li><input type="checkbox"/> Verifica las conexiones de cables tanto en línea con el ventilador como en el interruptor de la caja correspondiente.</li></ul>
El ventilador hace ruido.	<ul style="list-style-type: none"><li><input type="checkbox"/> Asegura que todos los tornillos de la carcasa del motor estén ajustados.</li><li><input type="checkbox"/> Asegura que los tornillos que unen el soporte de aspa al cuerpo del motor estén bien apretados.</li><li><input type="checkbox"/> Asegura que las conexiones de tuerca de cable no choquen unas con otras ni con la pared interior de la caja del interruptor.</li><li><input type="checkbox"/> Deja que transcurra un período de “adaptación” de 24 horas. En ese período desaparecen la mayoría de los ruidos asociados a un ventilador nuevo.</li><li><input type="checkbox"/> Si usas el kit de luces de ventilador de techo, asegura que los tornillos que sujetan el vidrio estén bien apretados. Verifica que las bombillas también estén aseguradas.</li><li><input type="checkbox"/> Asegura que la cubierta esté a corta distancia del techo. No debe tocar el techo.</li><li><input type="checkbox"/> Asegura que la caja eléctrica quede bien ajustada y que se hayan instalado almohadillas aislantes de hule entre la placa de montaje y la caja eléctrica.</li></ul>
El ventilador oscila.	<ul style="list-style-type: none"><li><input type="checkbox"/> Verifica que todas las aspas y los tornillos de sus brazos estén bien ajustados.</li><li><input type="checkbox"/> La mayoría de los problemas de oscilación del ventilador se deben a que las aspas no están al mismo nivel. Verifica este nivel seleccionando un punto en el techo sobre la punta de una de las aspas. Mide desde un punto en el centro de cada aspa al punto en techo. Mide esta distancia. Gira el ventilador hasta que la siguiente aspa quede en posición para medir. Repite el procedimiento con cada aspa. Las desviaciones de la medición no deben pasar de 1/8 plg (0.3 cm). Deja que el ventilador funcione por diez minutos. Deja que el ventilador funcione por diez minutos. Si el ventilador continúa oscilando, comunícate con el Servicio al Cliente y te enviarán un kit de compensación de aspas, sin costo alguno.</li></ul>



¿Preguntas, problemas o piezas faltantes? Antes de devolver a la tienda,  
llama al servicio al cliente de Hampton Bay  
De lunes a viernes, entre 8:00 a.m. y 7:00 p.m. (Este), y los sábados de 9:00 a.m.  
a 6:00 p.m. (Este)

**1-855-HD-HAMPTON**  
**HAMPTONBAY.COM**

Conserva este manual para uso futuro.