

Installation Guide

for Andersen® 1-1/2" Self-Storing Storm Doors
with Balanced Retractable Insect Screen



Please Do Not Return Product to Store!

PLEASE call the storm door Solution Center at 1-800-933-3626

with any questions regarding installation, mis-cut part replacement, lost part replacement, or anything else related to your storm door purchase.

- If your abilities do not match the requirements of this installation, contact an experienced contractor.
- Andersen has no responsibility in regard to the post-manufactured assembly and installation of Andersen products.

PARTS OVERVIEW

Your storm door should contain the following parts:

- 1 Rain Cap
- 2 Door Frame
- 3 Hinge Rail with 4 hinges
(Hinge Side Z-bar)
- 4 Ventilating Glass panel
- 5 Insect Screen
- 6 Latch Rail
(Handle Side Z-bar)
- 7 Sweep
- 8 Sweep Fins (2)
- 9 Edge Seal
- 10 Side Screw Covers (2)
Top Screw Cover (1)

Not Shown

- 11 Window Handle/Drill Kit
- 12 Door Mounting Screw Bag
- 13 Handle Set Kit
- 14 Closer Kit

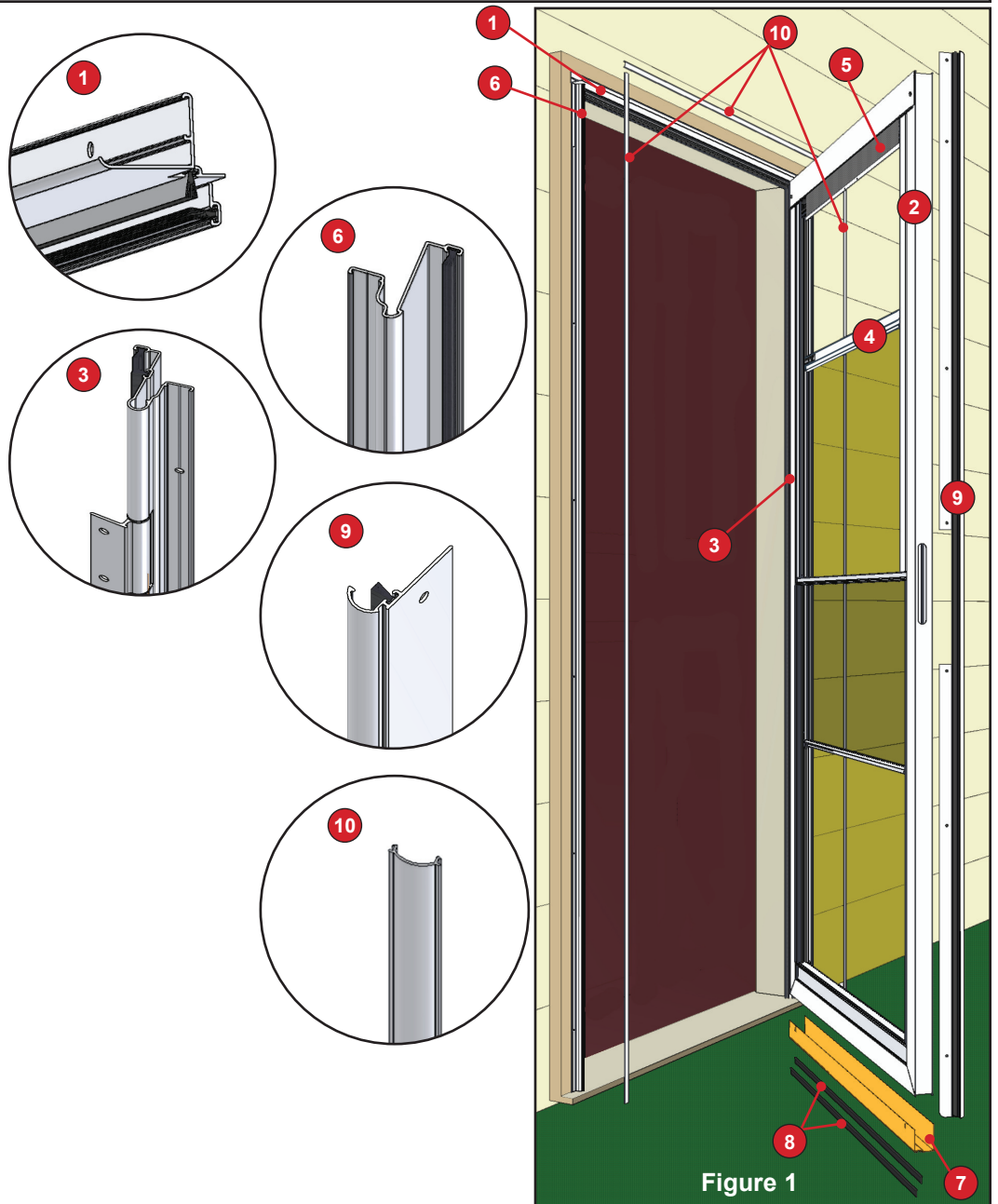


Figure 1



Come home to Andersen.

EMCO Enterprises, Inc., is a wholly owned subsidiary of Andersen Corporation. EMCO manufactures and supports the limited warranties for Andersen® and EMCO® doors. "Andersen", "EMCO" and all other marks where denoted are trademarks of Andersen Corporation. ©2011 Andersen Corporation. All rights reserved.

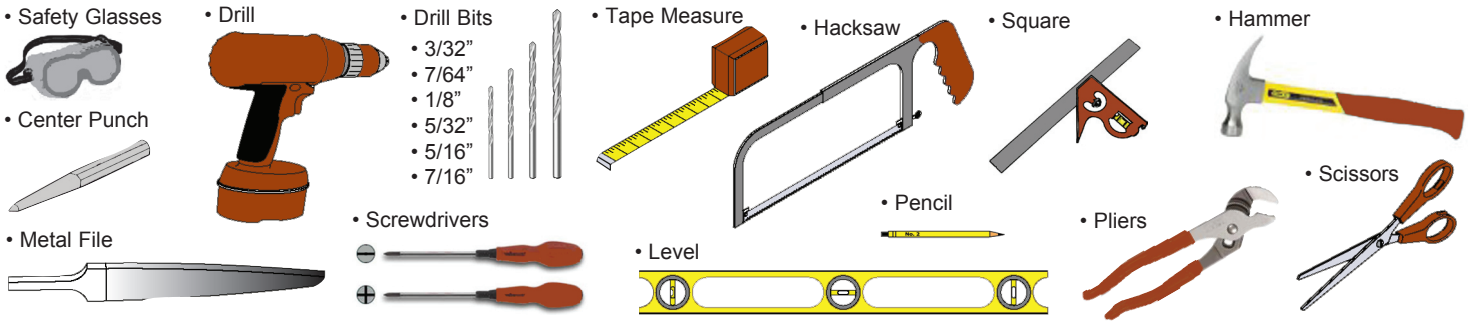
EMCO Enterprises, Inc.
PO Box 853
Des Moines, IA 50306-0853
Rev 8-2011 11050
P/N 620492



SAFETY FIRST - PLEASE READ AND FOLLOW ALL WARNINGS AND CAUTIONS IN THIS GUIDE.

⚠ WARNING Entry door hardware and handle may become hot when exposed to sunlight.	⚠ WARNING Improper use of hand or power tools could result in injury and/or product damage. Follow equipment manufacturer's instructions for safe operation. Always wear safety glasses.	⚠ WARNING Windows and doors can be heavy. Use safe lifting techniques and a reasonable number of people with enough strength to lift, carry, and install window and door products to avoid injury and/or property damage.	⚠ WARNING The insect screen is intended for reasonable insect control and not the retention of objects or persons within the interior. The insect screen material will not stop a person from falling through the door.	⚠ WARNING Metal fasteners and other hardware components may corrode when exposed to preservative treated and fire-retardant treated lumber. Obtain and use the appropriate size stainless steel fasteners and hardware as called out by the installation guide to fasten unit to any rough opening made from pressure treated and fire-retardant treated lumber. Failure to use the appropriate materials for the installation may cause a failure resulting in injury, property or product damage.
---	--	---	---	---

RECOMMENDED TOOLS



1. VERIFY MOUNTING REQUIREMENTS

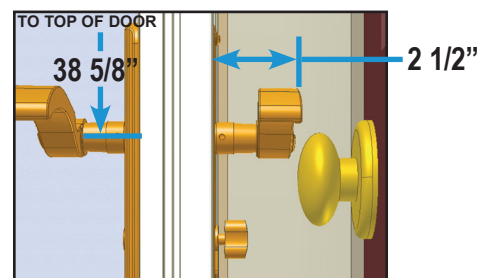
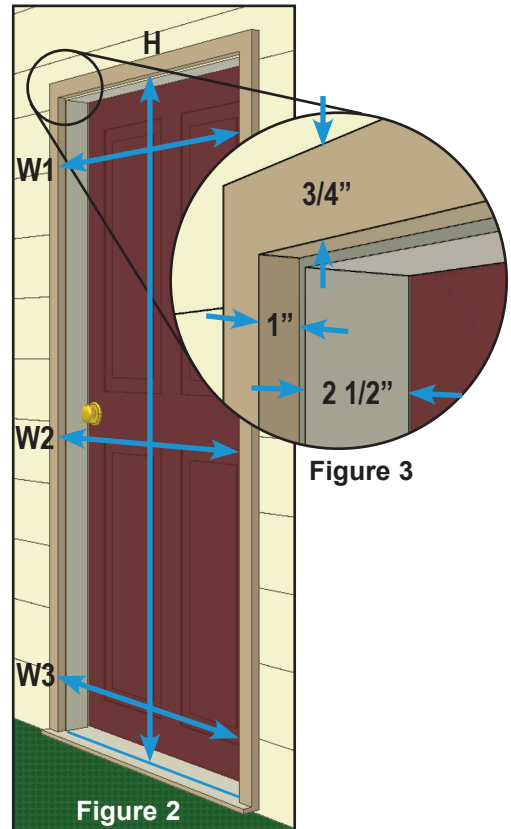
To install the storm door, you must verify that there is the necessary opening width and height and a sufficient mounting surface.

1. Measure the width at the top, middle, and bottom of the opening (Figure 2). Measure from the inside of the brick mold or exterior trim.
2. Measure the height at the center of the opening. Measure from the inside of the brick mold or exterior trim, down to the top of the bottom sill.

Use the this table to determine if your storm door will fit into the opening:

Nominal Storm Door Sizes	Opening Sizes	
	W 1 - 3 (width)*	H (height)
36" x 80"	35 3/4" TO 36 3/8"	80" TO 80 7/8"
34" x 80"	33 3/4" TO 34 3/8"	
33" x 80"	32 3/4" TO 33 3/8"	
32" x 80"	31 3/4" TO 32 3/8"	

3. Make sure that the brick mold or exterior trim meets the mounting surface requirements to install the rain cap, hinge rail and latch rail (Figure 3). You must have a minimum of:
 - 1" mounting surface depth. *
 - 3/4" mounting surface front. *
 - 2 1/2" space between the existing door and the mounting surface for the handle set installation.
4. Most homeowners prefer to have the storm door handle on the same side as the entry door handle. In shallow door openings, this can cause the two handles to interfere. Check for potential interference using the rough measurements (Figure 4). If you anticipate that there will be interference, hinge storm door on opposite side of your entry door.



* For opening widths up to 1" wider or for mounting surface depth between 5/8" - 3/4", please call our Solution Center at 1-800-933-3626 to purchase a special kit to accommodate your situation.

2. INSTALLATION PREPARATION:

In this step, you will determine the side your storm door will hinge on.

1. Left Hinged (Figure 5) - From the exterior, a left hinged storm door will have the hinge rail on the left side of the storm door. Refer to the illustrations in the column on the left side of the installation guide under this heading:

LEFT HINGE

2. Right Hinged (Figure 6) - From the exterior, a right hinged storm door will have the hinge rail on the right side of the storm door. Refer to the illustrations in the column on the right side of the installation guide under this heading:

RIGHT HINGE

Remember, any mis-cuts during your storm door installation can be replaced free of charge. Just call our Solution Center at 1-800-933-3626.

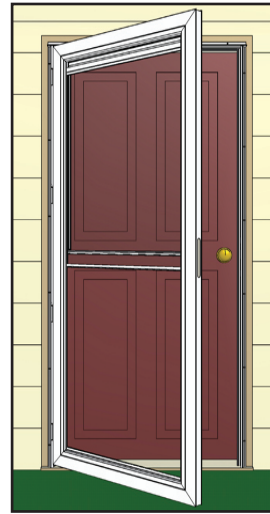


Figure 5

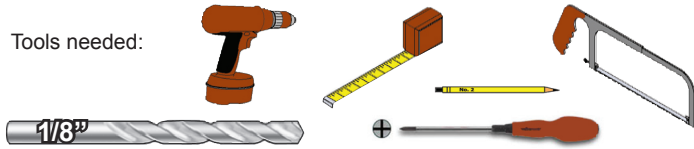


Figure 6

EXTERIOR
VIEWS

3. PREPARE STORM DOOR FOR HANGING

Tools needed:



1 - #8x1"  12

8 - #8x1/2"  12

LEFT HINGE - EXTERIOR VIEW (FIGURE 9)

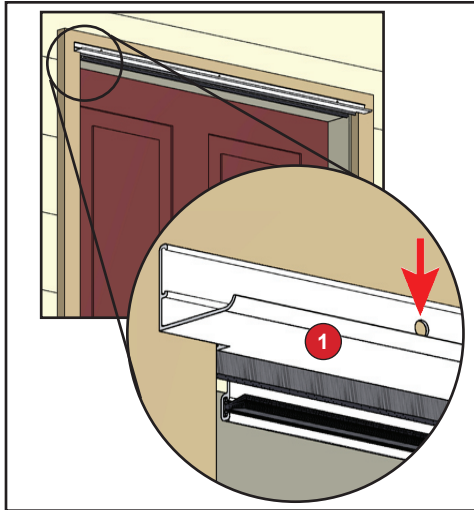


Figure 7

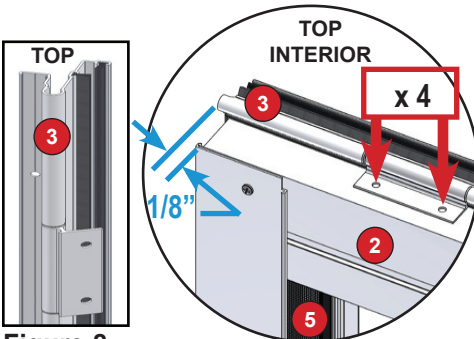


Figure 8

Figure 9

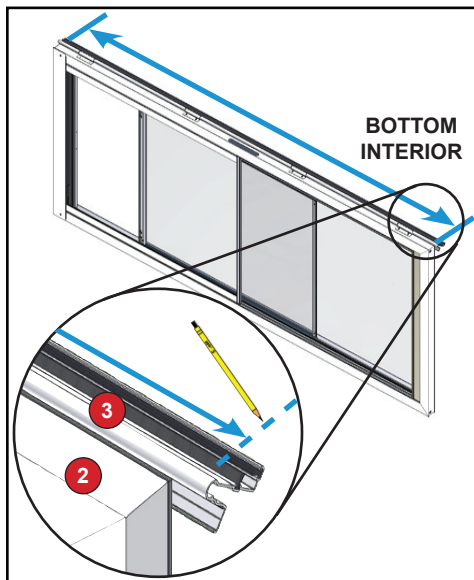


Figure 10

In this step, you will hang the rain cap against the top mounting surface (Figure 7).

1. Center the rain cap in the door opening.
2. Using a pencil, mark the hinge side hole on the mounting surface. Set rain cap aside.
3. Using the drill and 1/8" drill bit, drill a hole in the mounting surface.
4. Place the rain cap back on the door opening.
5. Screw the #8 x 1" screw in the hole as indicated by the red arrow, fastening the rain cap to the mounting surface.
6. Do not install the remaining screws at this time.

In this step, you will attach the hinge rail to the door frame.

7. Place latch side edge of door frame (with holes) on the ground.

TIP: Lay on door carton.

8. Locate the top of the hinge rail (Figure 8).
9. Position the hinge rail along the hinge-side edge of the door frame, extending the top of the hinge rail 1/8" beyond the top of the door frame. Snug the top hinge against the exterior side of the door frame (Figure 9).
10. Attach the top and remaining hinges to the door frame using #8 x 1/2" self-drilling screws.

In this step, you will cut the bottom of the hinge rail to its proper length.

11. Measure the height of the door opening on the hinge side, measuring from the underside of the rain cap to the door sill. You will use this measurement to cut the hinge rail to its proper length.
12. Measure the hinge rail, starting at the top and then marking the bottom with the measurement that you took of the door opening (Figure 10).
13. Using the hacksaw, cut the hinge rail to its proper length.

RIGHT HINGE - EXTERIOR VIEW (FIGURE 9)

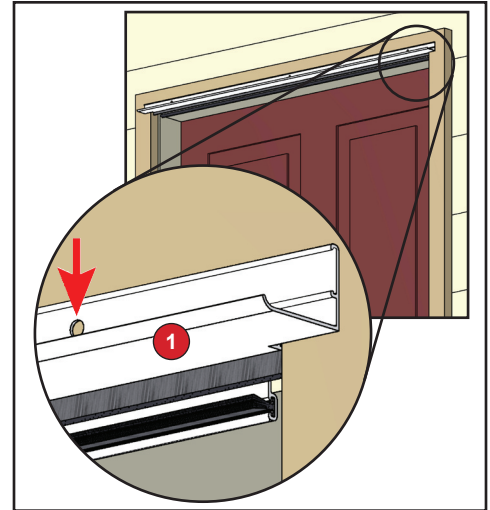


Figure 7

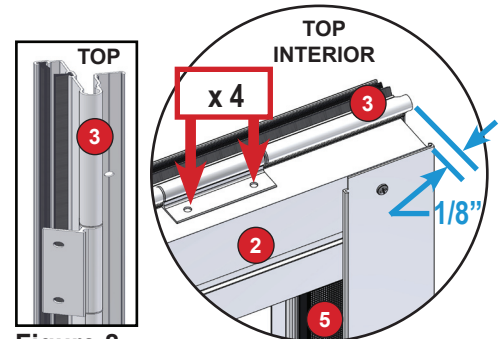


Figure 8

Figure 9

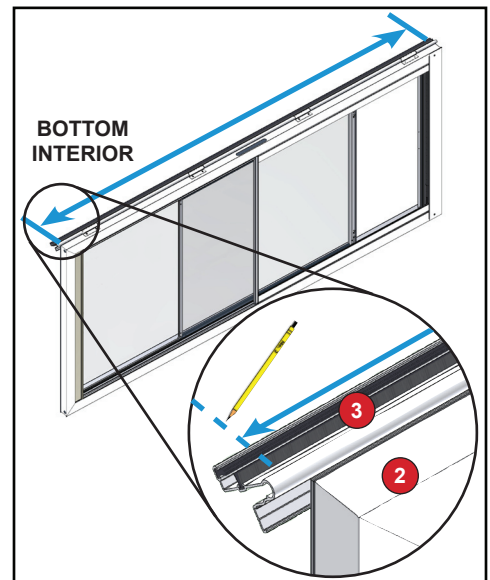
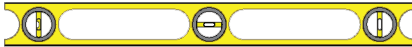


Figure 10

4. HANG HINGED STORM DOOR

Tools needed:



14 - #8x1"



LEFT HINGE - EXTERIOR VIEWS

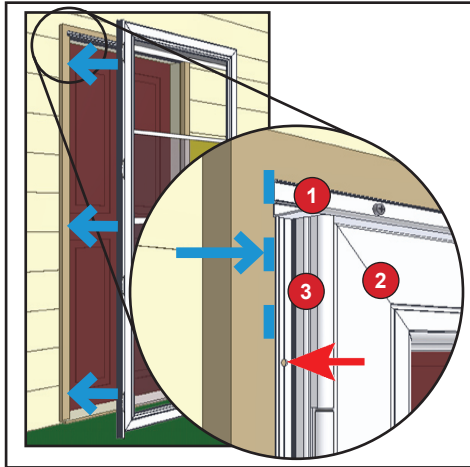


Figure 11



Figure 12

Figure 13

In this step, you will hang the storm door in the opening.

1. Position the door in the opening so that the edge of the hinge rail is flush with the end of the rain cap, and the top end of the hinge rail is butted up against the underside of the rain cap (Figure 11).
2. While holding door in position, mark onto the mounting surface the location of the top-most pre-drilled hole in the hinge rail. Once marked, remove door from opening and set aside.
3. Using the 1/8" drill bit, drill a hole in the mounting surface where you placed the mark.
4. Reposition the door in the opening and align the pre-drilled hole in the hinge rail with the hole that you drilled in the mounting surface.
5. Fasten the door to the mounting surface using one (1) #8 x 1" screw.
6. Using the level, make sure that the door is plumb (straight up and down).
7. While holding door in position, use the 1/8" drill bit to drill holes in the mounting surface through the pre-drilled holes in the hinge rail.
8. Fasten the hinge rail to the mounting surface using five (5) #8 x 1 screws (Figure 12).
9. Open the storm door.
10. Using the 1/8" drill bit, drill holes in the door jamb through the pre-drilled holes in the hinge rail.
11. Fasten the hinge rail to the door jamb using eight (8) #8 x 1 screws (Figure 13). Do not overtighten the screws.

In this step you will remove the protective tape from both sides of the door frame, if applicable.

12. Starting at the mitered corners, remove the clear protective tape from both the interior and exterior of the door frame, if applicable.

RIGHT HINGE - EXTERIOR VIEWS

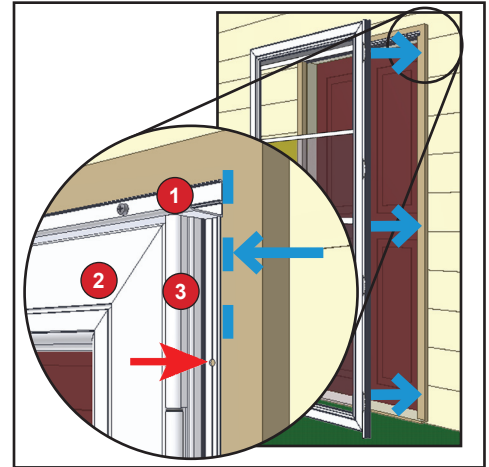


Figure 11

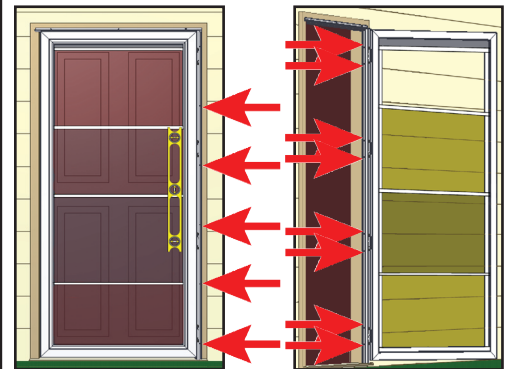
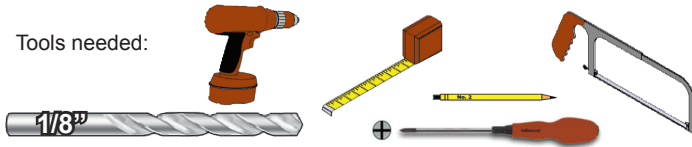


Figure 12

Figure 13

5. INSTALL REMAINING FRAME COMPONENTS

Tools needed:



8 - #8x1"  12

LEFT HINGE - EXTERIOR VIEWS

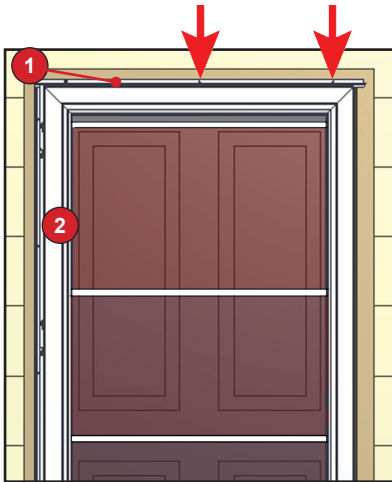


Figure 14

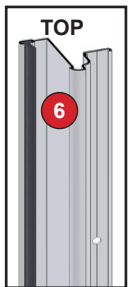


Figure 15

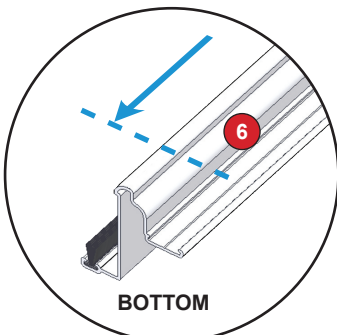


Figure 16

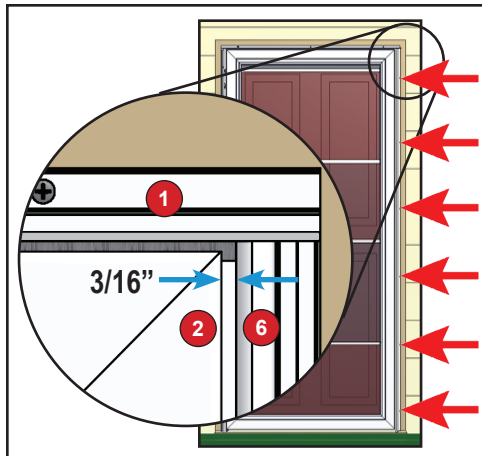


Figure 17

In this step, you will finish fastening the rain cap to the top mounting surface.

1. Close the storm door.
2. Adjust the rain cap so that the gap between the rain cap and door frame is the same along the entire length of the rain cap.
3. Using the 1/8" drill bit, drill holes in the mounting surface through the pre-drilled holes in the rain cap (Figure 14).
4. Fasten the rain cap to the mounting surface using two (2) #8 x 1" screws.

In this step, you will cut the bottom of the latch rail to its proper length.

5. Measure the height of the door opening, measuring from the underside of the rain cap to the door sill. You will use this measurement to cut the latch rail to its proper length.
6. Locate the top of the latch rail (Figure 15).
7. Measure the latch rail, starting at the top and then marking the bottom with the measurement that you took of the door opening.
8. Using the hacksaw, cut the latch rail to its proper length (Figure 16).

In this step, you will attach the latch rail to the mounting surface.

9. Position the latch rail so that the top end of the latch rail is butted up against the underside of the rain cap (Figure 17).
10. Close the storm door.
11. Measure the space between the latch rail and the storm door. This space should be 3/16" along the entire length.
12. Using the 1/8" drill bit, drill holes in the mounting surface through the pre-drilled holes in the latch rail. Use the pre-drilled holes in the latch rail as guides.
13. Fasten the latch rail to the door opening using six (6) #8 X 1" screws.

RIGHT HINGE - EXTERIOR VIEWS

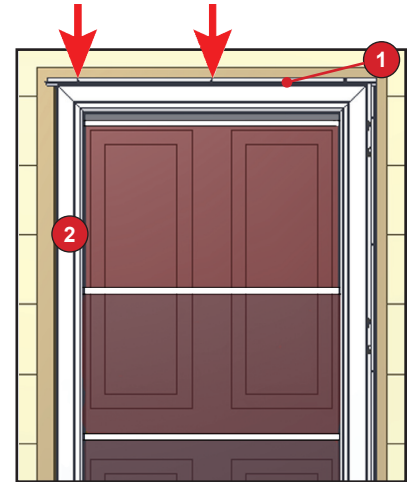


Figure 14

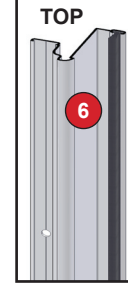


Figure 15

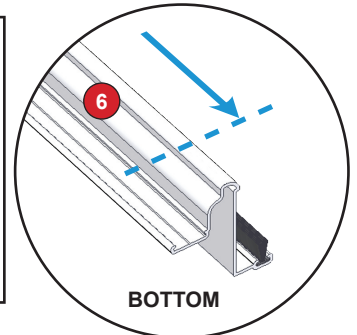


Figure 16

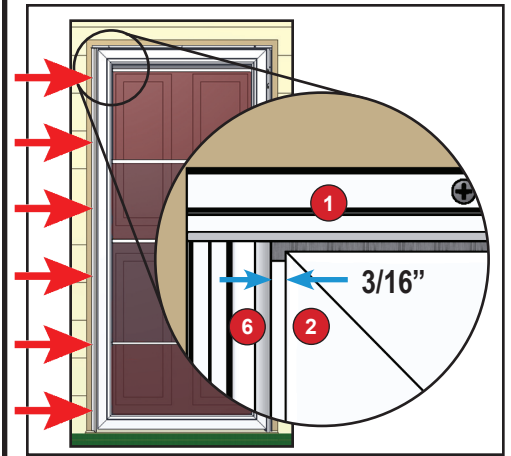


Figure 17

6. INSTALL WINDOW HANDLE, COVER PLATE & HANDLE SET

1. Lower or raise the ventilating glass panel so that the holes below the insect screen are at a comfortable working height.
2. Refer to the installation guide in the Window Handle and Drill Kit box to install the window handle, drill the handle holes, and install the cover plate.
3. Refer to the instructions included in the handle set box to install the door handles.

You can match your Andersen storm door lock to Schlage® or Kwikset® entry door locks. See handle set instructions contained within handle set box for details. Many home improvement stores or locksmiths can make duplicate keys.

“Kwikset” is a registered trademark of Newfry LLC. “Schlage” is a registered trademark of Schlage Lock Company.

7. INSTALL SCREW COVERS

Tools needed:



LEFT HINGE - EXTERIOR VIEWS

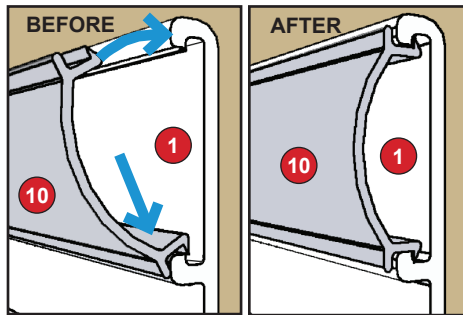


Figure 21

Figure 22

In this step, you will install the screw covers over the mounting screws in the rails and rain cap.

1. Starting with the rain cap screw cover, insert a groove in the screw cover into the bottom track of the rain cap (Figure 21).
2. Snap the groove in the top of the screw cover into the top track of the rain cap (Figure 22).
3. Repeat Steps 1 and 2 to install the remaining side screw covers.

RIGHT HINGE - EXTERIOR VIEWS

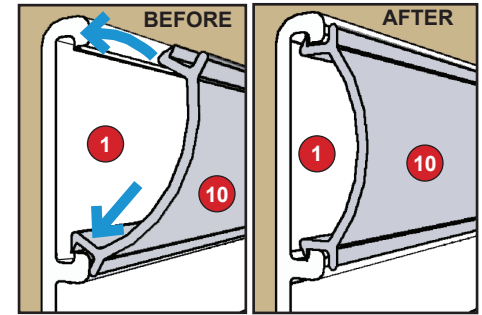


Figure 21

Figure 22

8. INSTALL WEATHER SEALING COMPONENTS

Tools needed:



LEFT HINGE - INTERIOR VIEWS

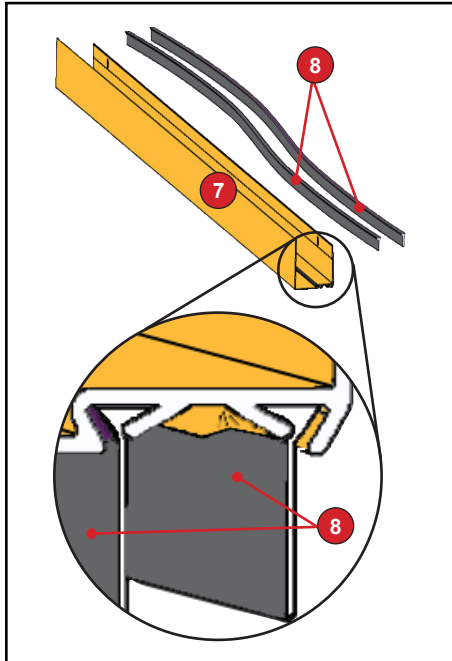


Figure 23

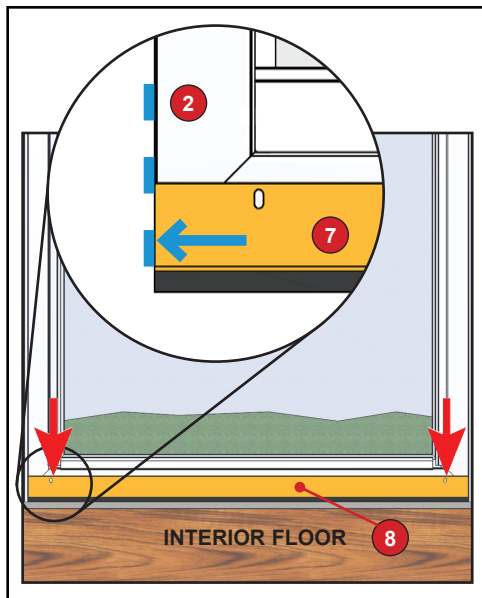


Figure 24

In this step, you will install the bottom sweep components.

1. Slide the sweep fins into the tracks located on the bottom of the door sweep (Figure 23).
2. Using scissors, trim any excess sweep fin material that extends beyond the door sweep.
3. Using pliers, crimp each end of the tracks to prevent the sweep fins from coming out of the tracks. See the close-up showing the tracks as already crimped (Figure 23).
4. Open the door and slide the sweep onto the bottom of the door frame. Make sure that the screw slots on the sweep are towards the interior.
5. Position the door sweep so that it is flush with the latch-side of the door frame (Figure 24).
6. Close the door.
7. From the interior, adjust the sweep up or down until the sweep fins come into contact with the door sill.
8. Using the drill and 1/8" drill bit, drill a starter hole into the door using the pre-drilled hole slots as guides.

CAUTION

Do not drill completely through door. This will create an unnecessary hole in the door and may cause water and air infiltration.

9. Fasten the sweep to the door using two (2) #8 X 1/2 color-matched (to sweep) screws.

RIGHT HINGE - INTERIOR VIEWS

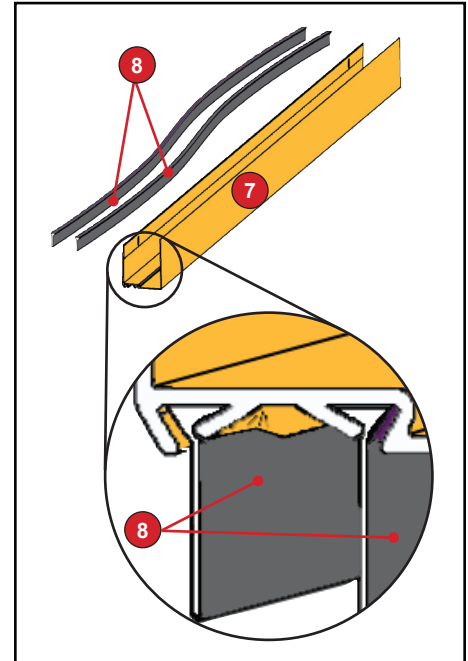


Figure 23

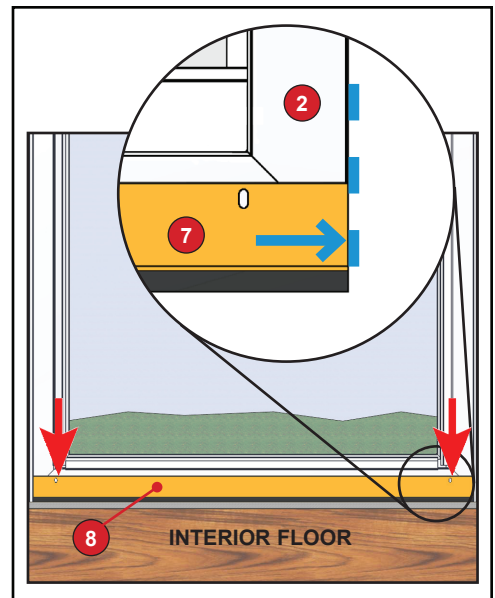
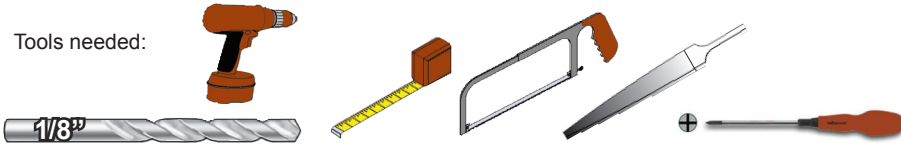
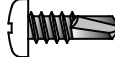


Figure 24

8. INSTALL WEATHER SEALING COMPONENTS (CONTINUED)

Tools needed:



7 - #8x1/2"  12

LEFT HINGE - EXTERIOR VIEWS

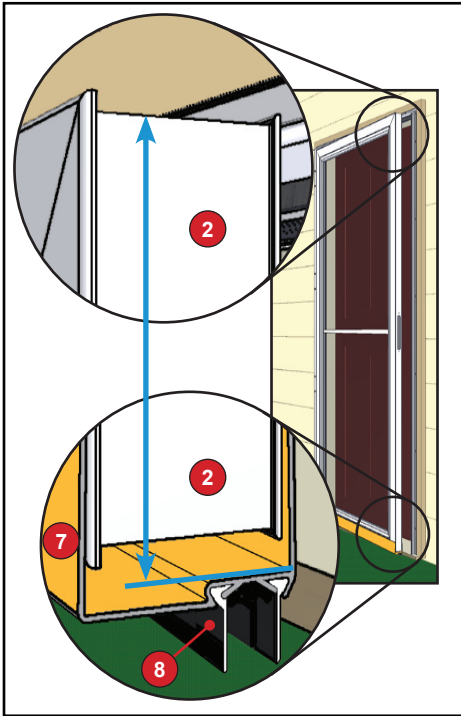


Figure 25

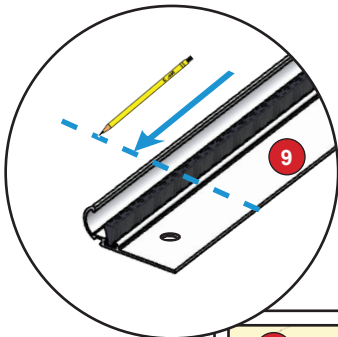


Figure 26

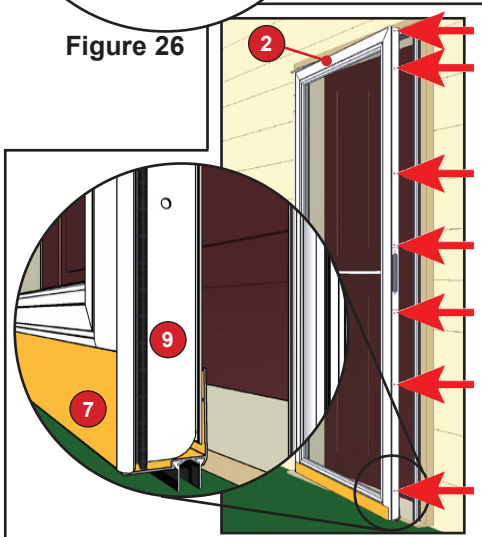


Figure 27

In this step, you will install the edge seal.

10. Measure from the top of the door frame to the top of sweep fin track (Figure 25). You will use this measurement to cut the edge seal to its proper length.
11. Locate the top of the edge seal.
12. Measure from the top of the edge seal and mark on the bottom of the edge seal the measurement that you took in Step 10.
13. Using the hacksaw, cut the edge seal to its proper length (Figure 26).
14. File the corners of the edge seal until they are smooth.

WARNING

Once the edge seal is cut to length, generously round the bottom corner of the edge seal with a metal file to avoid sharp edges. Failure to round the bottom corners may cause an injury.

15. Fasten the edge seal to the door frame using seven (7) #8 x 1/2" color-matched screws. (Figure 27).

RIGHT HINGE - EXTERIOR VIEWS

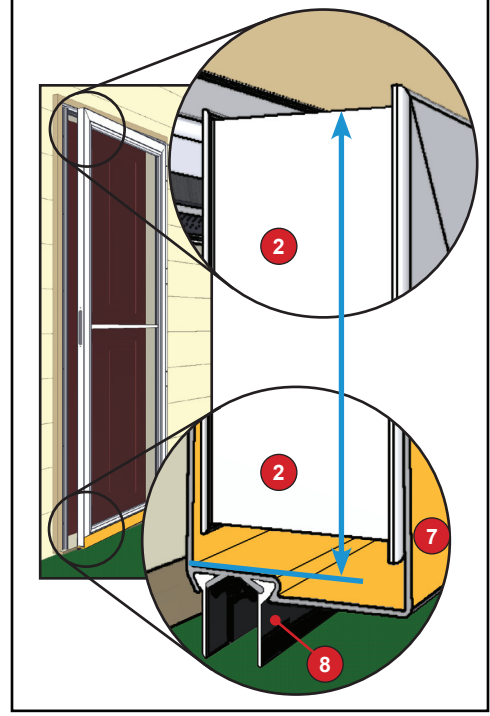


Figure 25

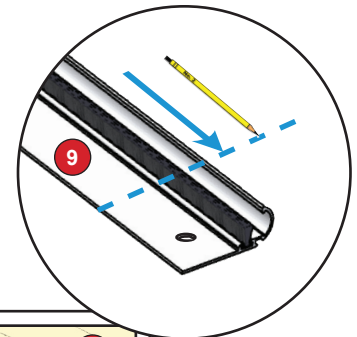


Figure 26

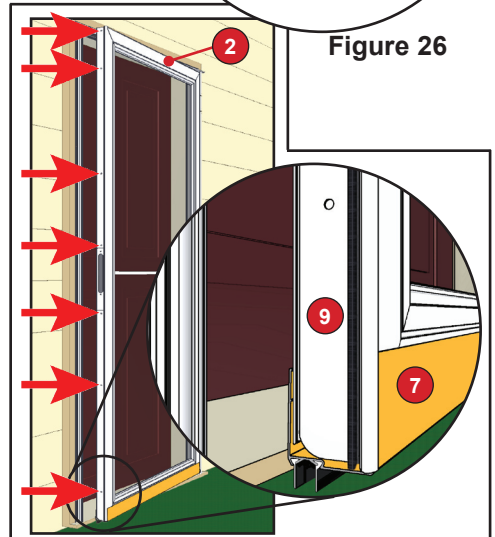
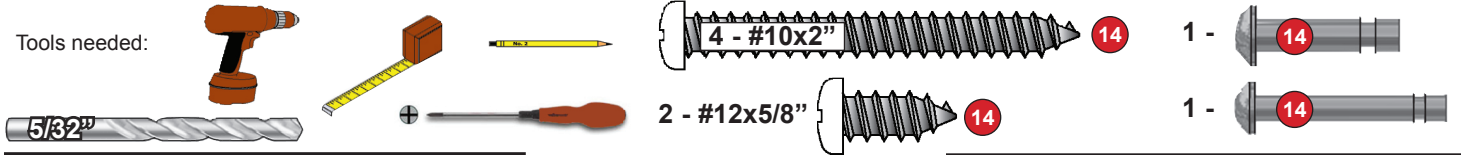


Figure 27

9. INSTALL CLOSER

Tools needed:



LEFT HINGE - INTERIOR VIEWS

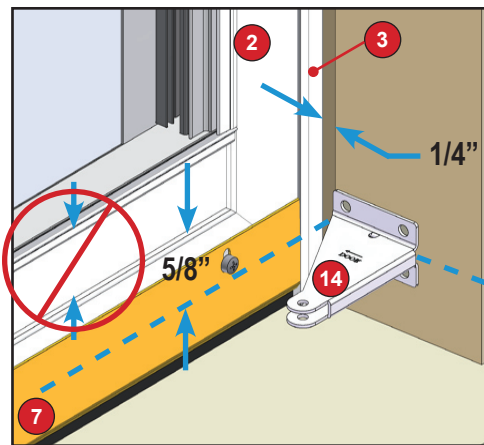


Figure 28

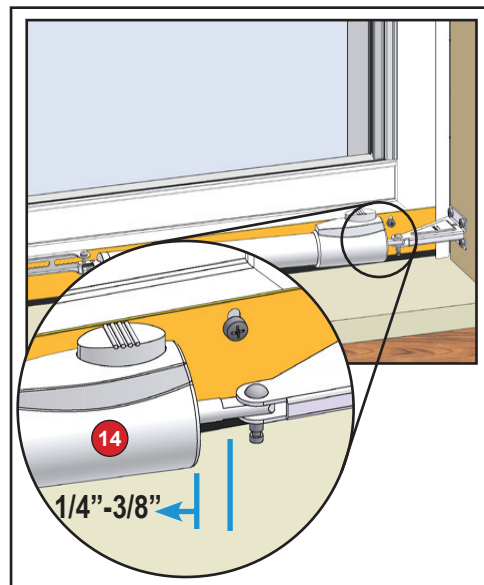


Figure 29

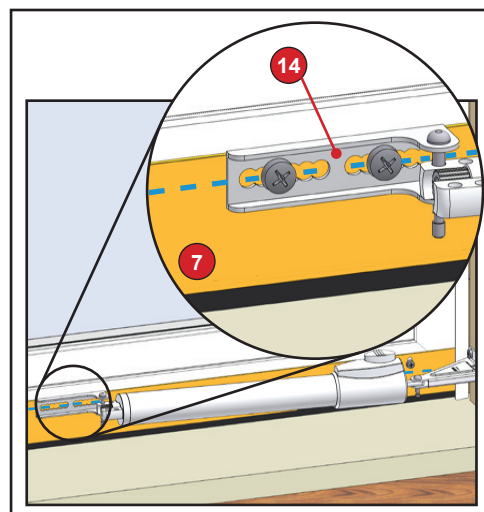


Figure 30

In this step, you will install a jamb bracket onto the door jamb at the bottom (Figure 28).

1. Measure 5/8" below the window opening at the bottom on the hinge side and mark a line on the sweep or door frame.
2. Extend the line onto the door jamb.
3. Center the jamb bracket on this line, placing it 1/4" behind the hinge rail.
4. Using a pencil, mark each jamb bracket hole on the door jamb.
5. Using the drill and 5/32" drill bit, drill a hole in the door jamb where you placed the marks.
6. Reposition the jamb bracket and align its holes with the holes that you drilled in the door jamb.
7. Fasten the jamb bracket to the door jamb using four (4) #10 x 2" color-matched screws.

In this step, you will install and pre-set the push button closer (Figure 29).

8. Attach the push button closer to the jamb bracket using the short pin.
9. Attach the door bracket to the push button closer with the long pin.
10. Press the push button on the push button closer and then pull (extend) closer by 1/4" - 3/8".

In this step, you will install the door bracket (Figure 30).

11. Close the storm door and then center the door bracket on the line from Step 1.
12. Using a pencil, mark each door bracket hole on the door frame.
13. Using the drill and 5/32" drill bit, drill a hole in the door frame where you placed the marks.
14. Reposition the door bracket and align its holes with the holes that you drilled in the door frame.
15. Fasten the door bracket to the door jamb using two (2) #12 x 5/8" color-matched screws.

RIGHT HINGE - INTERIOR VIEWS

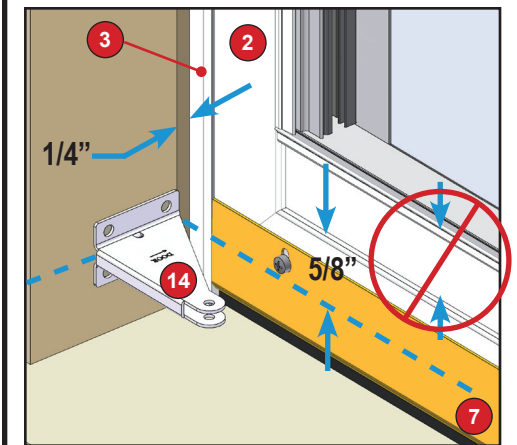


Figure 28

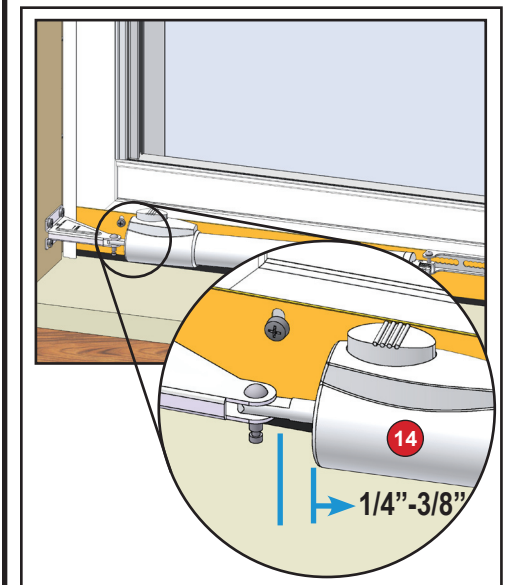


Figure 29

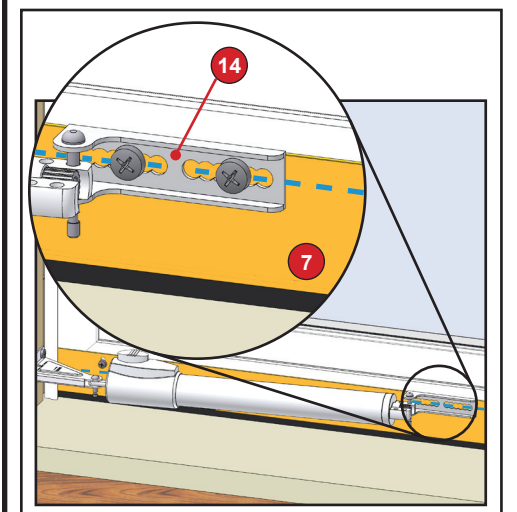


Figure 30

REGULAR MAINTENANCE

WINDOW GLASS – The glass may be cleaned with any household glass cleaner. Keep glass cleaners away from painted parts and brass/nickel components.

PLASTIC PARTS – Plastic door components may be cleaned by using a mild soap and water mixture and by gently rubbing the affected area. Do not use harsh abrasives or any product that contains chlorine.

ALUMINUM PARTS – Aluminum parts on the door may be cleaned by using a mild soap and water mixture and by gently rubbing the affected area. Mineral spirits may be used and will not harm the paint. This will remove many items such as glue residue. Do not use harsh abrasives or any product that contains chlorine.

HANDLE COMPONENTS – Brass handles and components (except coming on windows) may be cleaned in the following manner: Brass handles and components are coated with a clear urethane finish which protects the brass from tarnishing. In order to clean the brass, this coating will have to be removed. Upon doing this, a larger area of brass will be exposed and subject to weathering. Use a high quality brass polish according to the specific directions on that product. A clear urethane may be reapplied to the clean surface to protect the finish. Painted handles and components may be cleaned by using a mild soap and water mixture and by gently rubbing the affected area. **Do not use harsh abrasives or any product that contains chlorine.**

ANODIZED FINISHED SWEEPS – The anodized finished sweep may be cleaned with a mild solution of soap and water. Do not use harsh abrasives or any product that contains chlorine.

BRASS/NICKEL GLASS CLEANING – Brass and Nickel components may be cleaned with good quality cleaner; such as Brasso®.

LIMITED WARRANTIES

PRODUCT LIMITED WARRANTY

DOOR FRAME: EMCO Enterprises, Inc. (EMCO) warrants the door frame, hinges, and painted finish on Andersen® aluminum storm door products to be free from defects in manufacturing, materials, paint adhesion, or workmanship, under normal use, for as long as the original consumer purchaser owns the home in which the door was initially installed.

COMPONENTS: EMCO warrants the non-glass and non-insect screen fabric components of Andersen® storm doors (including brass and nickel hardware finish and the mechanical functions of balancers, locksets, closers, windows and insect screens) to be free from defects in manufacturing, materials and workmanship for a period of five (5) years from the date of original retail purchase or for as long as the original consumer purchaser owns the home in which the door was initially installed, whichever is shorter. Insulated glass is also warranted for a period of five (5) years not to develop, under normal conditions, any material obstruction of vision resulting from manufacturing defects or as a result of premature failure of the glass or hermetic seal.

In the event a door frame, hinges, insulated glass or a component fails as a result of a defect in manufacturing, materials or workmanship within the limited warranty period specified above, and upon written proof of purchase, EMCO, at its option, will provide a replacement door frame, hinge, insulated glass unit and/or components without charge – installation is not included. Such replacement or repair is warranted for the remainder of the original limited warranty period. Please locate the door serial number and written proof of purchase and contact EMCO Consumer Support at 1-800-933-3626. Warranty claims made one (1) year after purchase are subject to a flat processing fee.

“OOPS-PROOF” INSTALLATION LIMITED WARRANTY

EMCO Enterprises, Inc. (EMCO) warrants that any part lost or mis-cut during the original installation of your Andersen storm door will be repaired or replaced at no additional charge within ninety (90) days of the date of original purchase. This limited warranty will not apply if the part has been misused, abused or altered. Cutting parts not specified by the installation guide or mis-drilled parts are not included in this warranty.

In the event a part is lost or mis-cut within the limited warranty period, EMCO, at its option, will provide the appropriate replacement part – installation is not included. Please locate the door serial number and written proof of purchase and contact EMCO Consumer Support at 1-800-933-3626.

GENERAL LIMITED WARRANTY INFORMATION

The limited warranties set forth in this document are the only express warranties (whether written or oral) applicable to Andersen® storm doors, and no one is authorized to modify or expand these limited warranties. All warranty claims must be made during the applicable warranty periods.

ALL IMPLIED WARRANTIES INCLUDING MERCHANTABILITY AND FITNESS FOR A PARTICULAR PURPOSE ARE LIMITED TO THE APPLICABLE STATUTE OF LIMITATION, BUT IN NO CASE WILL EXTEND BEYOND THE TERM OF THE LIMITED WARRANTIES SET FORTH ABOVE. EMCO EXCLUDES AND WILL NOT PAY FOR INCIDENTAL OR CONSEQUENTIAL DAMAGES, WHETHER ARISING OUT OF CONTRACT, TORT OR OTHERWISE, AND ITS LIABILITY WILL IN ALL INSTANCES BE LIMITED TO THE REPAIR OR REPLACEMENT OF THE DEFECTIVE PRODUCT.

Some states do not allow the exclusion of incidental and consequential damages, or limitation of the duration of an implied warranty, so the above limitations or exclusions may not apply to you.

This limited warranty gives you specific legal rights, and you may also have other rights that may vary from state to state and in Canada.

What is NOT covered by this limited warranty: damage caused by 1) improper installation, maintenance, or use; 2) chemicals or airborne pollutants, such as salt or acid rain; 3) acts of God, including wind damage; 4) products not manufactured by EMCO

EMCO Enterprises, Inc. is a wholly owned subsidiary of Andersen Corporation. EMCO manufactures Andersen® and EMCO® storm doors. EMCO supports the limited warranties covering Andersen® Storm and Screen Doors. “Andersen”, “EMCO” and all other marks where denoted are trademarks of Andersen Corporation. ©2011 Andersen Corporation. All rights reserved.

Reprinted and effective as of May, 2011.