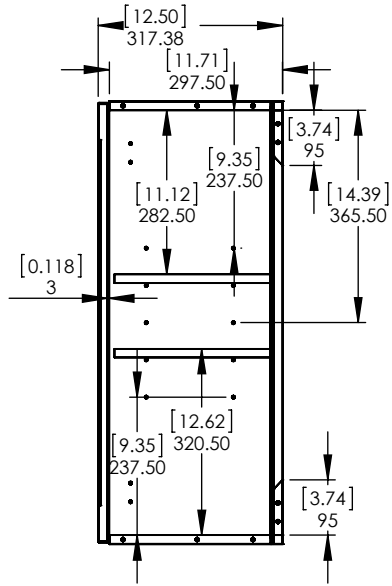
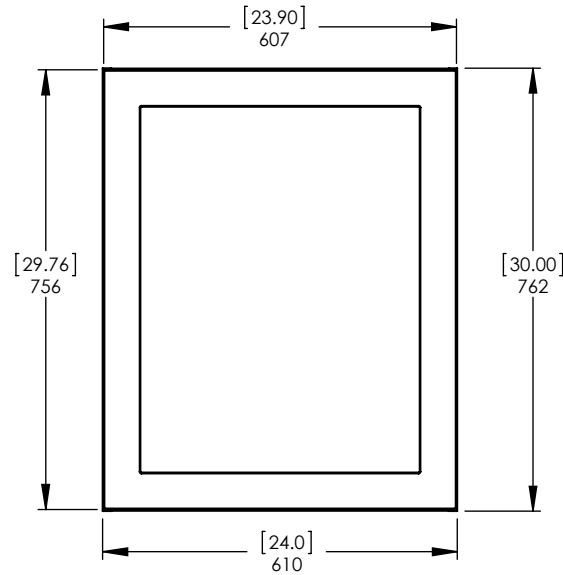


Item ID	Description
CM2430W-WH	Kitchens - Cambridge Wall Cabinet in White 24in W x 12.5 D x 30 H

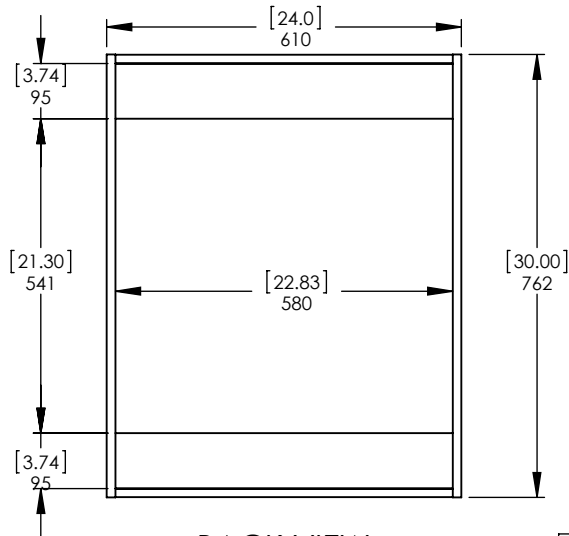
Rev	ECO #	Description	REV'D BY DATE	CHK'D BY DATE	APRV'D BY DATE
0		New Release	KISM 9/30/16	KISM 9/30/16	KISM 9/30/16



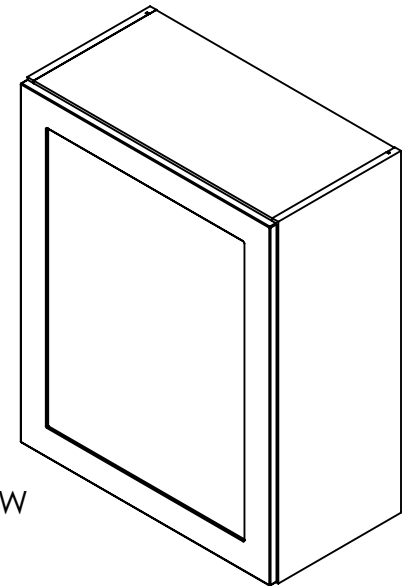
SIDE VIEW




FRONT VIEW



BACK VIEW



ISOMETRIC VIEW

PROPRIETARY AND CONFIDENTIAL		UNLESS OTHERWISE SPECIFIED		NAME	DATE		SIZE DWG. NO. SHEET 1 OF 1
THE INFORMATION CONTAINED IN THIS DRAWING IS THE SOLE PROPERTY OF WOODCRAFTERS. ANY REPRODUCTION IN PART OR AS A WHOLE WITHOUT THE WRITTEN PERMISSION OF WOODCRAFTERS IS PROHIBITED.		DIMENSIONS ARE IN MM. AND (INCHES)		Kadir S.	10/3/16		
		TOLERANCES ARE + 0.039 [1] - 0.039 [1]		Kadir S.	10/3/16		
		SCALE:1:13		V. Sanchez			