

### COMFORT HEIGHT® TOILET K-3589

ADA CSA B651 OBC

#### Features

- Vitreous china
- Elongated bowl
- Class Five® flushing system
- Available with KOHLER Artist Editions designs
- Less seat and supply
- 12" (305 mm) rough-in
- 1.6 gpf (6 lpf)
- 2-1/8" (54 mm) glazed trapway
- 10-1/2" (267 mm) x 7-1/8" (181 mm) water area
- 28-3/4" (730 mm) x 17-5/8" (447 mm) x 30-3/4" (781 mm)



#### Codes/Standards Applicable

Specified model meets or exceeds the following:

- ADA
- ICC/ANSI A117.1
- CSA B651
- OBC
- ASME A112.19.2/CSA B45.1

#### Colors/Finishes

- 0: White
- Other: Refer to Price Book for additional colors/finishes

#### Accessories

- 0: White
- CP: Polished Chrome
- PB: Vibrant® Polished Brass
- Other: Refer to Price Book for additional colors/finishes

#### Specified Model

Model	Description	Trip Lever	Colors/Finishes
K-3589	Comfort Height toilet	left-hand	<input type="checkbox"/> 0 <input type="checkbox"/> Other_____
K-3589-RA	Comfort Height toilet	right-hand	<input type="checkbox"/> 0 <input type="checkbox"/> Other_____
K-3589-T	Comfort Height toilet, tank lock	left-hand	<input type="checkbox"/> 0 <input type="checkbox"/> Other_____
K-3589-TR	Comfort Height toilet, tank lock	right-hand	<input type="checkbox"/> 0 <input type="checkbox"/> Other_____

#### Recommended Accessories

K-4664	Brevia™ seat with cover	<input type="checkbox"/> 0	<input type="checkbox"/> Other_____
K-4660	Lustra™ open front toilet seat – for Accessibility compliance	<input type="checkbox"/> 0	<input type="checkbox"/> Other_____

#### Product Specification

The elongated bowl toilet shall be made of vitreous china. Toilet shall be 28-3/4" (730 mm) in length, 17-5/8" (447 mm) in width, and 30-3/4" (781 mm) in height with a 10-1/2" (267 mm) x 7-1/8" (181 mm) water area. Toilet shall be 12" (305 mm) rough-in and 2-1/8" (54 mm) glazed trapway. Toilet shall be 1.6 gpf (6 lpf) with Class 5® flushing system. Toilet shall be available with KOHLER Artist Editions designs. Toilet shall be less seat and supply. Toilet shall be Kohler Model K-3589-\_\_\_\_\_.

# CIMARRON®

## Recommended Accessories (Cont.)

K-7637	3/8" Angle supply with stop	<input type="checkbox"/> CP	<input type="checkbox"/> PB	<input type="checkbox"/> Other_____
--------	-----------------------------	-----------------------------	-----------------------------	-------------------------------------

## Technical Information

Fixture:	
Configuration	two-piece, elongated
Water per flush	1.6 gal (6 L)
Passageway	2-1/8" (54 mm)
Water area	10-1/2" (267 mm) x 7-1/8" (181 mm)
Water depth from rim	6-1/8" (156 mm)
Seat post hole centers	5-1/2" (140 mm)

Included components:	
Bowl	K-4309
Tank	K-4418
Tank cover	1086929
Trip lever, left-hand	1059436
Tank accessory pack	1016548
Bolt cap accessory pack	1013092

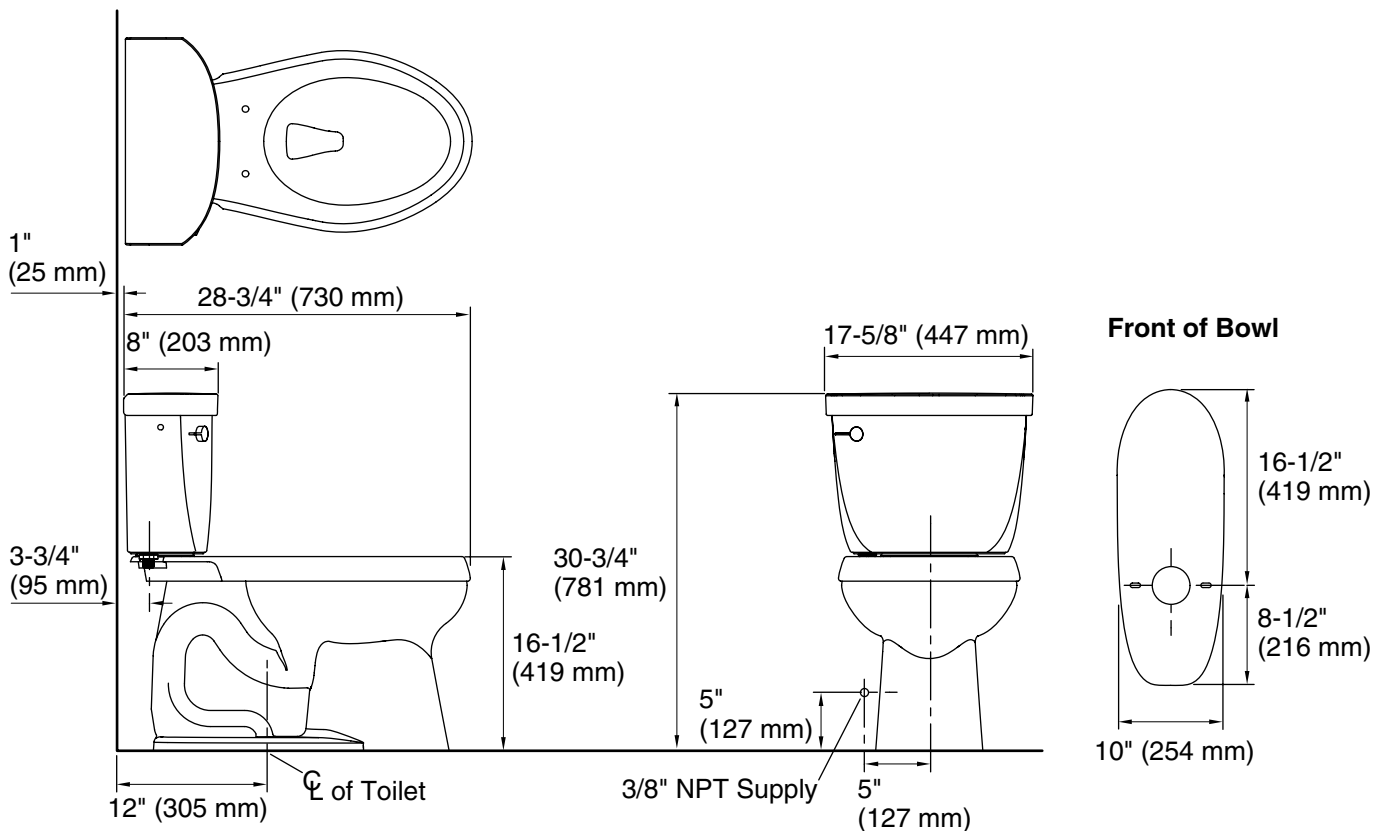
## Installation Notes

Install this product according to the installation guide.

Will comply with the American Disabilities Act (**ADA**) when installed per the requirements of the Accessibility Guidelines, Section 604 Water Closets, of the Act, which include the installation of an open front seat.

Will comply with **CSA B651** when installed per Clause 4.3.6 of the standard.

Will comply with **OBC** Barrier Free requirements when installed per Clause 3.8.3.8 and 3.8.3.9.



## Product Diagram