

# TUB WALL MOUNT FILLER WITH HANDSHOWER

Cat. No.  
4602



## Features:

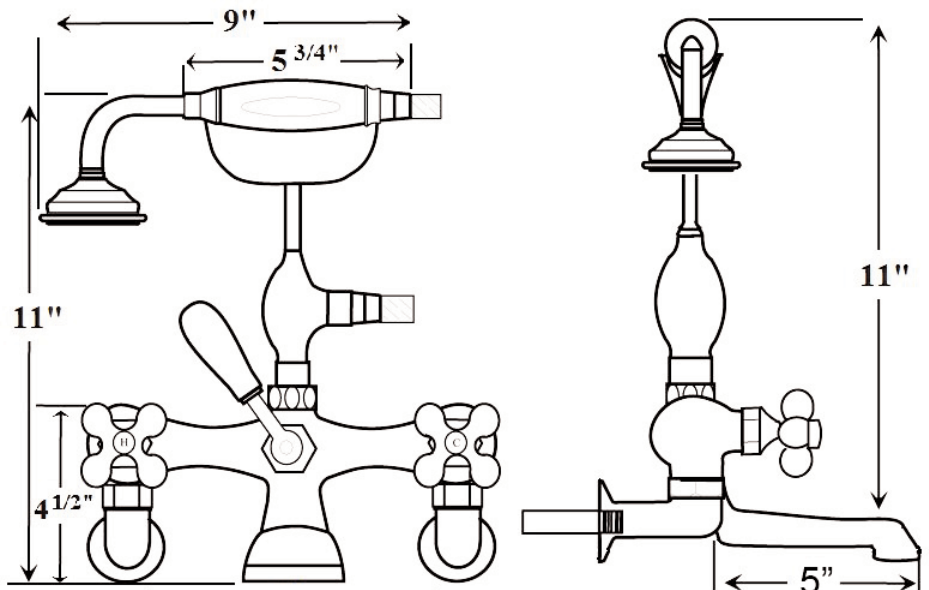
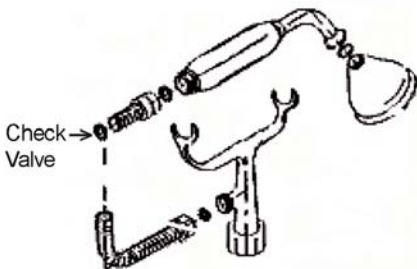
- ▶ Elephant Spout
- ▶ Telephone Style Hand Shower
- ▶ Backflow Preventer on Handshower
- ▶ Adjustable Swivel Mounts from 3" to 12"
- ▶ Spout Length is 5"
- ▶ 1/4" turn ceramic disc cartridges
- ▶ Available in 5 Finishes
- ▶ To be used with Double Offset Bath Supplies, Part #5576
- ▶ This Faucet can also be used with Rigid Freestanding Supplies, Part #4502 after Removal of the Adjustable Swivel Mounts
- ▶ 3.70 GPM @ 80 PSI

## Finishes:

- BP Polished Brass
- CP Polished Chrome
- SN Brushed Nickel
- PN Polished Nickel
- ORB Oil Rubbed Bronze



Adjustable Swivel Mounts



Dimensions are nominal and may vary. Dimensions and specifications subject to change without notice.