

**PRODUCT SPECIFICATIONS**

Elkay Polymer Disposer Flange with Removable Basket Strainer and Rubber Stopper. Overall dimensions are 4-1/2" x 4-1/2" x 2-1/4". Made of Polymer.

<b>Material:</b>	Polymer
<b>Dimensions:</b>	4-1/2" x 4-1/2" x 2-1/4"
<b>Shipping Weight:</b>	0

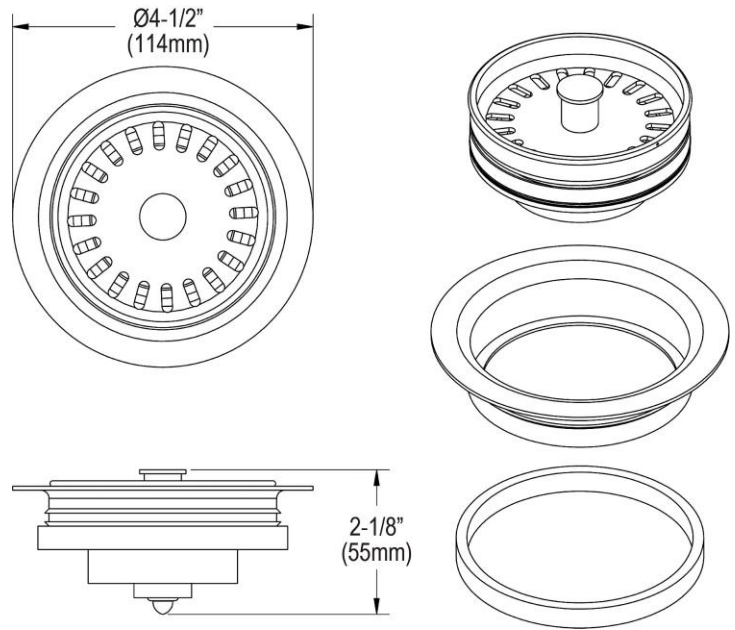
- **COLOR MATCH:** Coordinate your drain to match the color of your Elkay Quartz Classic or Quartz Luxe sink. Available in 16 beautiful hues.
- **POLYMER:** Material is infused with color, and will not chip or scratch off from daily use.
- **BASKET STRAINER AND STOPPER:** Strainer catches food and waste from going down the drain. Use stopper to fill sink with water for washing and soaking.
- **DURABLE:** Corrosion resistant for long-lasting durability.
- **DISPOSER READY:** Designed for garbage disposals that accommodate 4-1/2" flange or select InSinkErator disposers.
- **EASY CLEANING:** Wash by hand with a mild detergent and soft cloth; rinse.



**AMERICAN PRIDE. A LIFETIME TRADITION.**  
Like your family, the Elkay family has values and traditions that endure. For almost a century, Elkay has been a family-owned and operated company, providing thousands of jobs that support our families and communities.



[Clean and Care Manual \(PDF\)](#)  
[Installation Instructions \(PDF\)](#)



PART: \_\_\_\_\_ QTY: \_\_\_\_\_

PROJECT: \_\_\_\_\_

CONTACT: \_\_\_\_\_

DATE: \_\_\_\_\_

NOTES: \_\_\_\_\_

APPROVAL: \_\_\_\_\_

*In keeping with our policy of continuing product improvement, Elkay reserves the right to change product specifications without notice. Please visit [elkay.com](http://elkay.com) for the most current version of Elkay product specification sheets. This specification describes an Elkay product with design, quality, and functional benefits to the user. When making a comparison of other producers' offerings, be certain these features are not overlooked.*