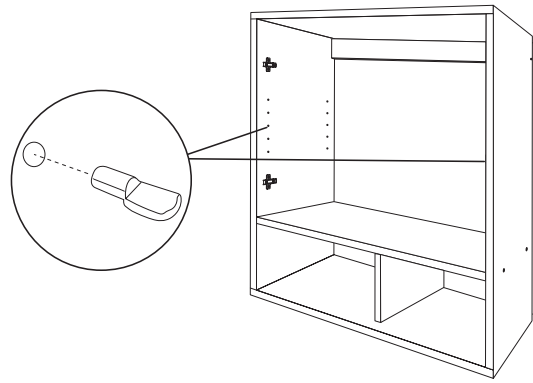


Shelf and Door Assembly Instructions

STEP 8

Parts Required

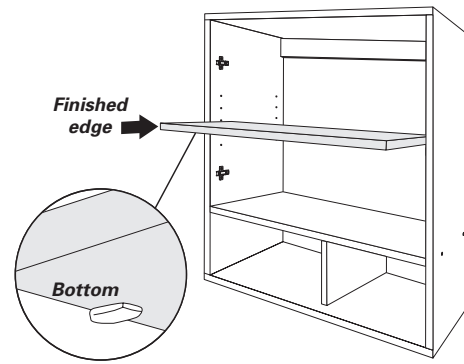
- Shelf Support Pins (4)



STEP 9

Parts Required

- Adjustable Shelf (1)



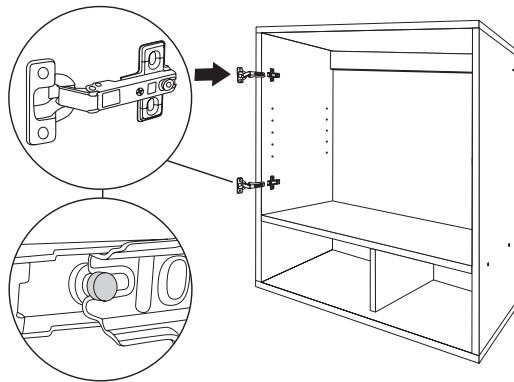
STEP 10

Parts Required

- Hinges (4)

Install hinges to hinge plates.
Repeat for other side.

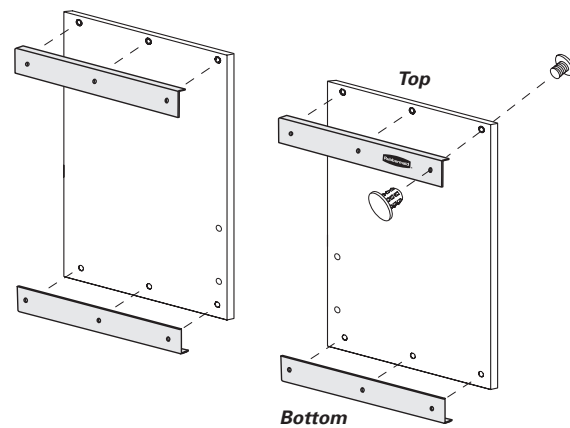
Center hinge plate screw in hinge slot.



STEP 11

Parts Required

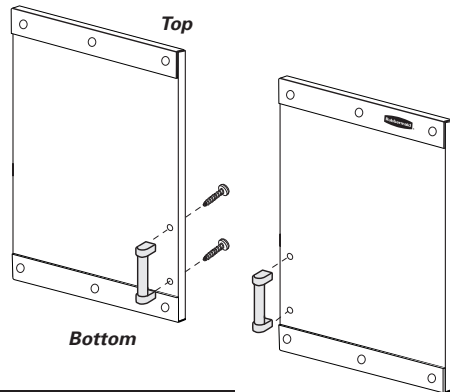
- Doors (2)
- Metal Plates (4)
- Metal Plate Fasteners with Screws (12)



STEP 12

Parts Required

- Handles (2)
- Handle Screws (4)

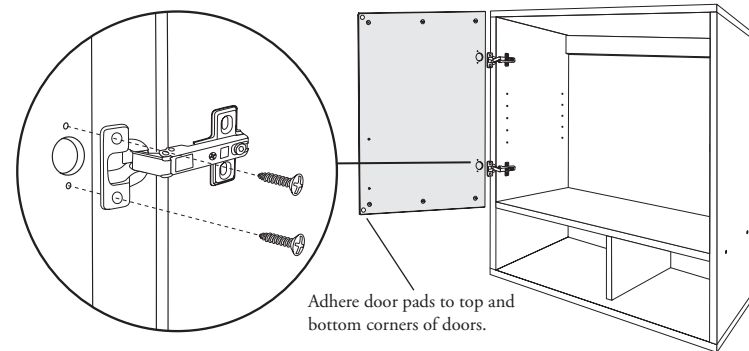


STEP 13

Parts Required

- Hinge Plate Screws (8)
- Door Pads (4)

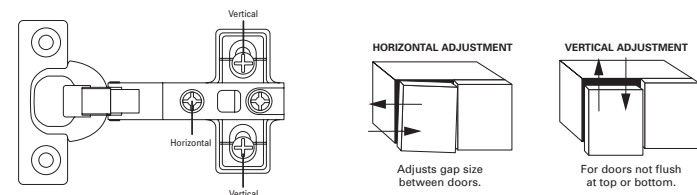
Assemble doors to the cabinet.



Adhere door pads to top and bottom corners of doors.

STEP 14

Ensure cabinet is square prior to adjusting hinges.



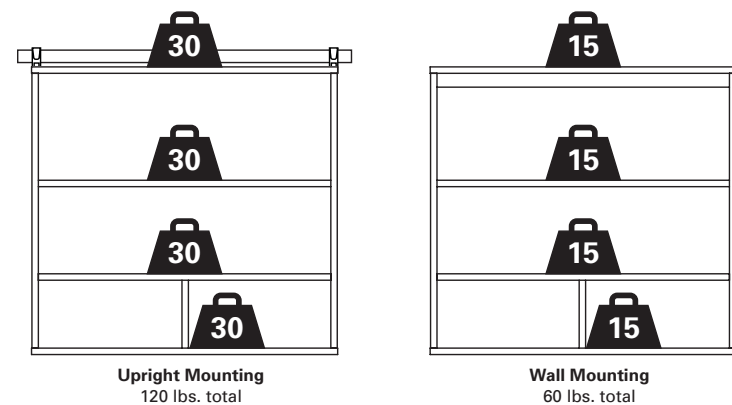
HORIZONTAL ADJUSTMENT

Adjusts gap size between doors.

VERTICAL ADJUSTMENT

For doors not flush at top or bottom.

Load Capacity



Upright Mounting
120 lbs. total

Wall Mounting
60 lbs. total

Rubbermaid®

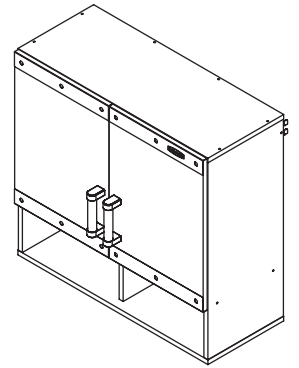
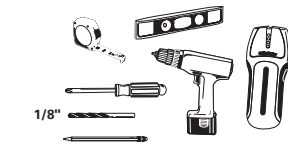
FastTrack®

5M16 – Top Cabinet with Cubbies Assembly Steps

L8-5M16-P0

Rubbermaid Incorporated,
Huntersville, NC USA 28078-1801
U.S.A. 1-888-895-2110
Canada 1-866-595-0525
www.rubbermaid.com

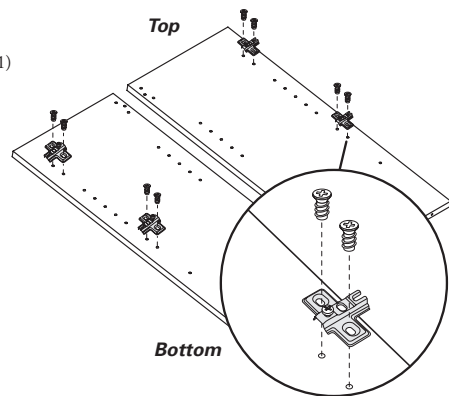
A *NewellRubbermaid* Company



| Pieces | Qty | Pieces | Qty |
|--|-----|--|-----|
| Left Vertical Panel (3814573) | 1 | Hinge Plates (1608770) | 4 |
| Right Vertical Panel (3814606) | 1 | Hinges (NP5M2200) | 4 |
| Backer Board (2901925) | 1 | Plastic Screw Covers (1812256) | 8 |
| Top Shelf (3814581) | 1 | Handle with Screws, #8 x 1-1/4", Phillips (NP5M2100) | 2 |
| Bottom Panel (3814614) | 1 | Euro Screws, 6mm x 10mm (1602392) | 12 |
| Cleat (3814599) | 1 | Confirmat Screws, 5mm x 40mm (1602376) | 16 |
| Adjustable Shelf (3814565) | 1 | Shelf Pins (FG3F80H1CHROM) | 4 |
| Fixed Shelf (3814622) | 1 | Nails (1608217) | 24 |
| Left Door (3814648) | 1 | Hinge Plate Screws, #6 x 5/8" (1602160) | 8 |
| Right Door (3814656) | 1 | Pan Head Screws, #8 x 1/2", Phillips (1604281) | 4 |
| Wall Cabinet Divider (3814664) | 1 | Wood Dowels (1470004) | 4 |
| Metal Plates (NP5M2400) | 4 | Wall Mount Screws, #10 x 2", Phillips, Flat Head (1603168) | 2 |
| Metal Plate Fasteners with Screws (NP5M2500) | 12 | Door Pads (1811399) | 4 |
| Upright Bracket (L/R) (NP5M2000) | 2 | Hole Plugs (1812313) | 2 |

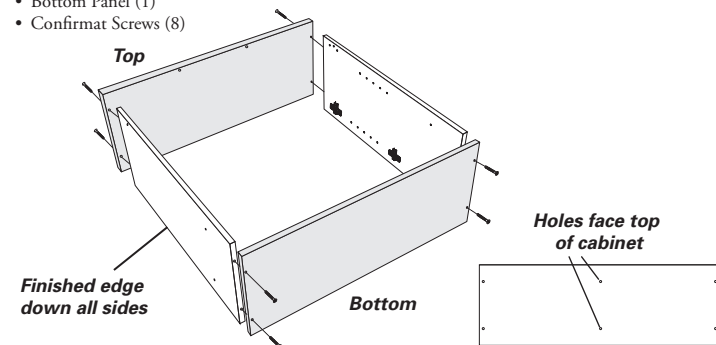
STEP 1

- Parts Required**
- Left Vertical Panel (1)
 - Right Vertical Panel (1)
 - Hinge Plates (4)
 - Euro Screws (8)



STEP 2

- Parts Required**
- Top Panel (1)
 - Bottom Panel (1)
 - Confirmat Screws (8)

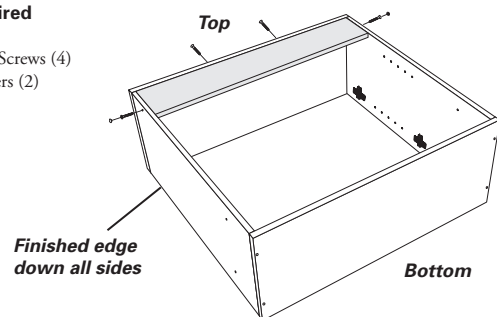


Choose Your Installation Method, Wall Mount or Upright Mount

STEP 3A

Wall Mount Instructions

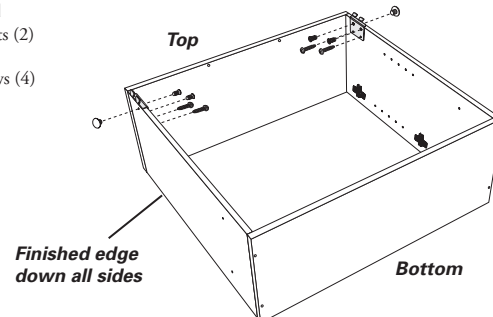
- Parts Required**
- Cleat (1)
 - Confirmat Screws (4)
 - Screw Covers (2)



STEP 3B

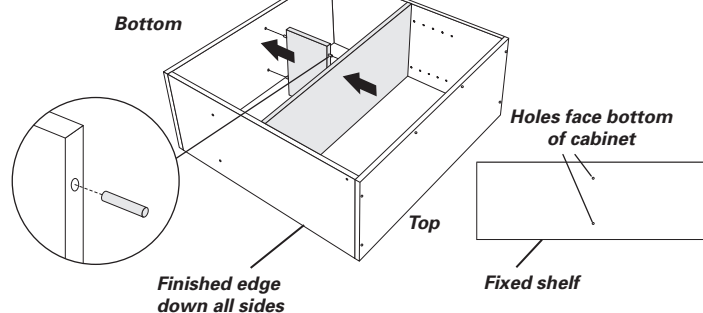
Upright Mount Instructions

- Parts Required**
- Upright Brackets (2)
 - Euro Screws (4)
 - Pan Head Screws (4)
 - Hole Plugs (2)



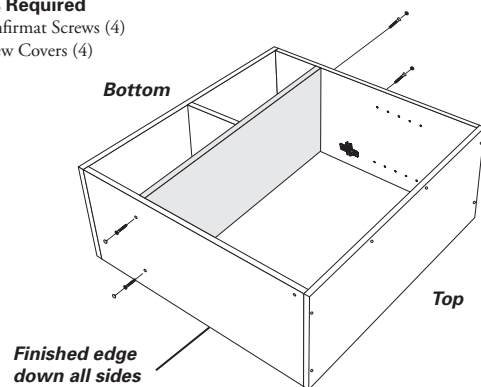
STEP 4

- Parts Required**
- Wall Cabinet Divider (1)
 - Fixed Shelf (1)
 - Wood Dowels (4)



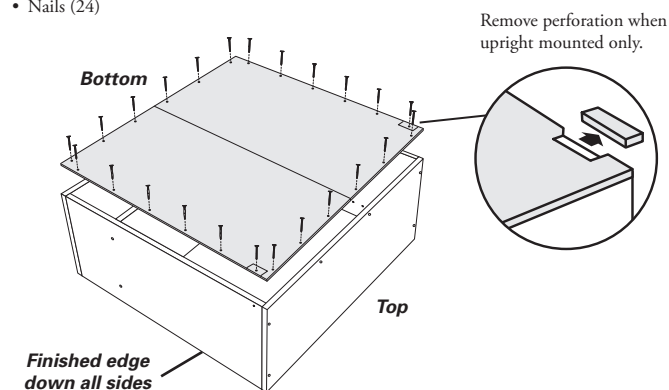
STEP 5

- Parts Required**
- Confirmat Screws (4)
 - Screw Covers (4)

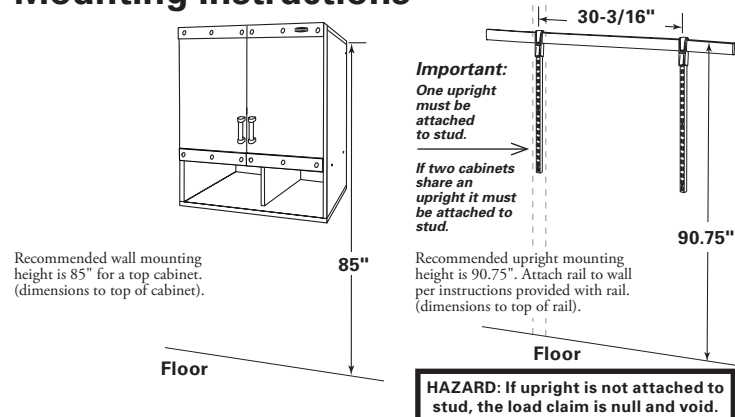


STEP 6

- Parts Required**
- Backer Board (1)
 - Nails (24)



Mounting Instructions



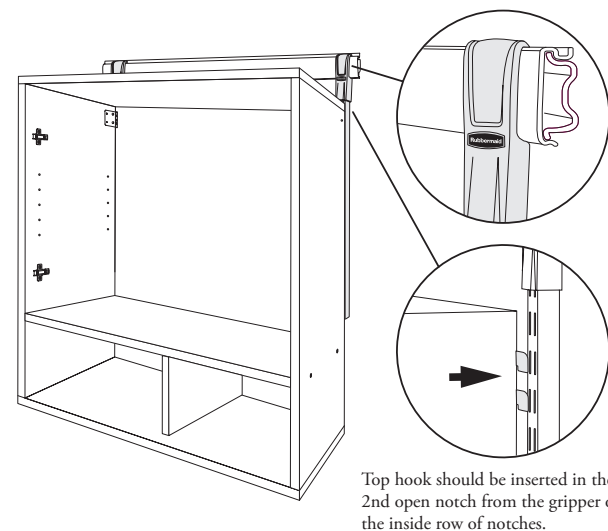
WARNING: SERIOUS INJURY OR DEATH CAN RESULT BY NOT FOLLOWING BELOW INSTRUCTIONS.

Choose Mounting Method

Upright Mount Instructions

STEP 7A

Hang cabinet on rail.

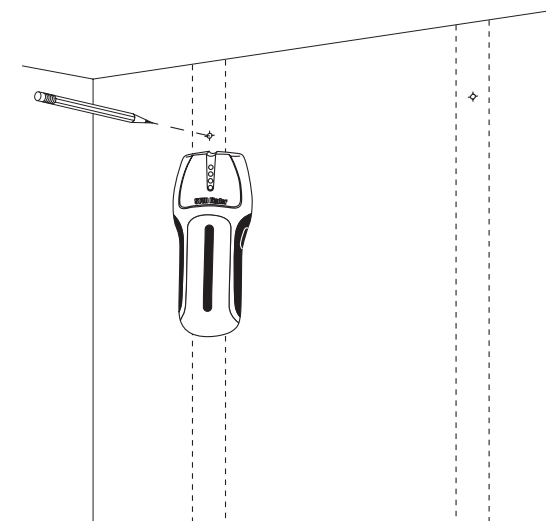


HAZARD: Use two or more people to install cabinet. Failure to do so can result in back or other injury.

Direct Wall Mount Instructions

STEP 7B

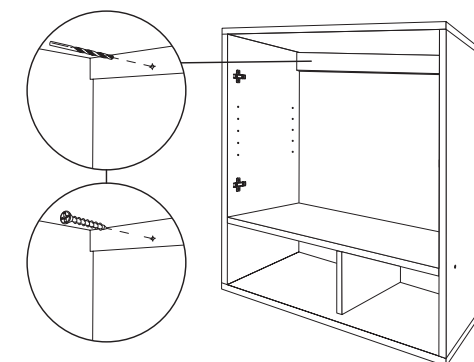
Locate studs



STEP 7C

Secure cabinet to wall.

With two or more people hold the cabinet against the wall over the marked stud locations. Pre-drill (1) hole for a wall mount screw using 1/8" drill bit through cleat into stud. Insert one screw into stud through wood cleat.



HAZARD: Use two or more people to install cabinet. Failure to do so can result in back or other injury.

STEP 7D

Secure cabinet to wall.

Level cabinet. Pre-drill hole for second wall mount screw through cleat into stud. Insert the second screw into stud through cleat. Ensure cabinet is hanging on two studs.

