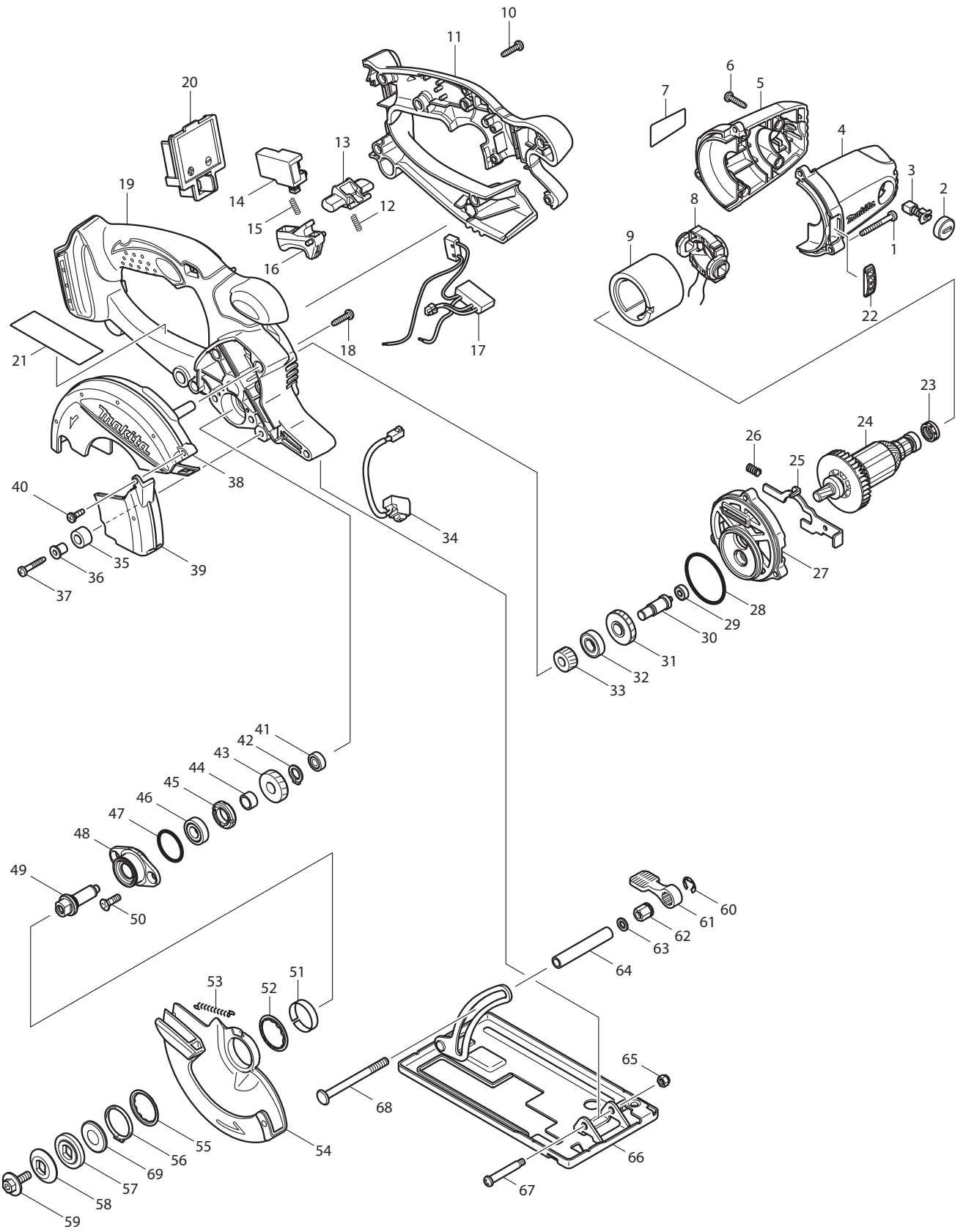


Model DML806 Parts List

A = Standard Equipment

O = Circuit Diagram

Item#	Part#	Description	Q'ty	Unit
001	GM00001382	HOUSING L/R	1	
002	GM00001383	METAL PIN	1	
003	SM00000190	RING	2	PC.
004	GM00001117	BATTERY HOLDER C2010239007	1	PC.
005	GM00001384	MAIN PCBA ASS'Y	1	
006	GM00001385	SWITCH HOLDER	1	
007	GM00001386	SWITCH ROD	1	
008	GM00001387	SWITCH RUBBER COVER	1	
009	GM00001388	LED LAMP TUBE ASS'Y	1	
010	GM00001389	DUFFUSING CAP	1	
012	GM00001391	LAMP HOLDER	1	
013	GM00001392	BULB BRACKET	1	
014	GM00001019	LOCK RING 30110184004	1	PC.
015	GM00001393	REFLECTOR	1	
016	GM00001394	TORCH LENS ASS'Y	1	
017	GM00001027	METAL HOOK	1	PC.
018	GM00001395	SCREW 2.6X8PB	6	
019	GM00001024	SCREW 3X12 20130120202	6	PC.



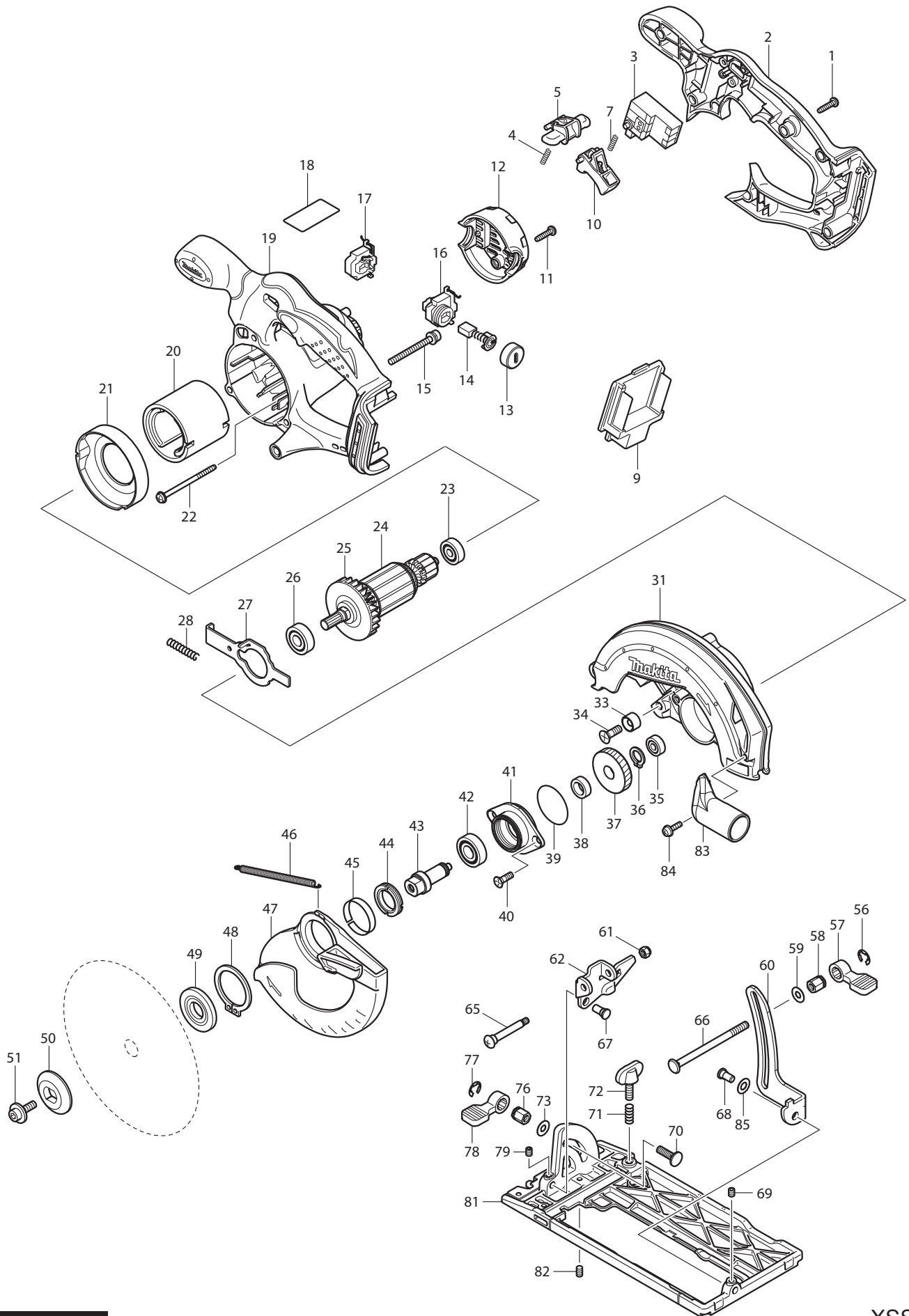
Model XSC01, XSC01M, XSC01Z Parts List

A = Standard Equipment

O = Circuit Diagram

Item#	Part#	Description	Q'ty	Unit
001	266053-1	TAPPING SCREW 4X35	3	PC.
002	643807-7	BRUSH HOLDER CAP	2	PC.
003	CB430	CARBON BRUSH CB-430 (195018-5)	1	SET
004	188209-5	HOUSING SET	1	SET
	D10	INC. 5		
005	188209-5	HOUSING SET	1	SET
	D10	INC. 4		
006	265995-6	TAPPING SCREW 4X18	4	PC.
007	815P09-3	XSC01 NAME PLATE	1	
008	638502-2	ENDBELL COMPLETE	1	PC.
009	638420-4	YOKE UNIT	1	PC.
010	265995-6	TAPPING SCREW 4X18	8	PC.
011	453426-9	HANDLE L	1	
012	231469-9	COMPRESSION SPRING 4	1	PC.
013	419664-3	LOCK OFF LEVER	1	PC.
014	651956-6	SWITCH TG72BD	1	PC.
015	231469-9	COMPRESSION SPRING 4	1	PC.
016	419665-1	SWITCH LEVER	1	PC.
017	620260-4	CONTROLLER	1	
018	265995-6	TAPPING SCREW 4X18	3	PC.
019	453154-6	HANDLE R	1	
020	644808-8	TERMINAL	1	PC.
021	803T48-9	CAUTION LABEL	1	
022	419609-1	FAN GUARD	1	PC.
023	421977-0	RUBBER RING 13	1	PC.
024	619290-0	ARMATURE	1	PC.
025	345643-4	SHAFT LOCK	1	PC.
026	233117-6	COMPRESSION SPRING 6	1	PC.
027	419656-2	GEAR HOUSING	1	PC.
028	213560-5	O RING 44	1	PC.
029	210036-3	BALL BEARING 604ZZ	1	PC.
030	324729-7	GEAR SHAFT	1	PC.
031	227752-0	HELICAL GEAR 27	1	PC.
032	210080-0	BALL BEARING 6900ZZ	1	PC.
033	226635-1	HELICAL GEAR 15	1	PC.
034	631550-0	LED CIRCUIT	1	PC.
035	262566-0	RUBBER SLEEVE 6	1	PC.
036	262563-6	SLEEVE 4	1	PC.
037	265999-8	TAPPING SCREW 4X25	1	PC.
038	419662-7	BLADE CASE	1	PC.
039	419663-5	BLADE COVER	1	PC.
040	266020-6	TAPPING SCREW 4X12	1	PC.
041	210006-2	BALL BEARING 696ZZ	1	PC.
042	961006-2	RETAINING RING S-10	1	PC.
043	226640-8	HELICAL GEAR 23	1	PC.
044	257760-7	SLEEVE 10	1	PC.
045	285847-5	BEARING RETAINER 14-23	1	PC.
046	210069-8	BALL BEARING 6900DDW	1	PC.
047	213435-8	O RING 26	1	PC.
048	318087-1	BEARING BOX	1	PC.
049	324730-2	SPINDLE	1	PC.
050	265034-2	+ COUNTERSUNK HEAD SCREW M5X16	2	PC.

051	345470-9	THICKNESS RING	1 PC.
052	345739-1	SPACER	1 PC.
053	231792-2	TENSION SPRING 3	1 PC.
054	158116-6	SAFETY COVER COMPLETE	1 PC.
055	345739-1	SPACER	1 PC.
056	257938-2	RETAINING RING(EXT) WR-26	1 PC.
057	224408-6	INNER FLANGE 30	1 PC.
058	224404-4	OUTER FLANGE 30	1 PC.
059	266458-5	HEX.SOCKET HEX.BOLT M6X18	1 PC.
060	961014-3	STOP RING E-8	1 PC.
061	272229-0	LEVER 40	1 PC.
062	252159-1	HEX. NUT M6	1 PC.
063	941151-9	FLAT WASHER 6	1 PC.
064	331733-9	PIPE 6	1 PC.
065	252103-8	HEX. LOCK NUT M5-8	1 PC.
066	163471-3	BASE	1 PC.
067	265056-2	+ PAN HEAD SCREW M5	1 PC.
068	266405-6	FLAT H.SQUARE NECK BOLT M6X75	1 PC.
069	267802-9	CUP WASHER 13	1 PC.
A01	192219-6	SAFETY GOGGLE	1 PC.
A02	783203-8	HEX. WRENCH 5	1 PC.
A03	***DC18RC	DC18RC FAST CHARGER	1 PC. XSC01, XSC01M
A04	BL1830	BATTERY BL1830 SET	2 SET XSC01
	BL1840	BATTERY BL1840 SET	XSC01M
A05	141485-2	PLASTIC CASE COMPLETE	1 PC. XSC01, XSC01M
A07	A-95037	TCT SAW BLADE 5-3/8"X5/8X30T	1 PC.
A08	450128-8	BATTERY COVER	1 PC. XSC01



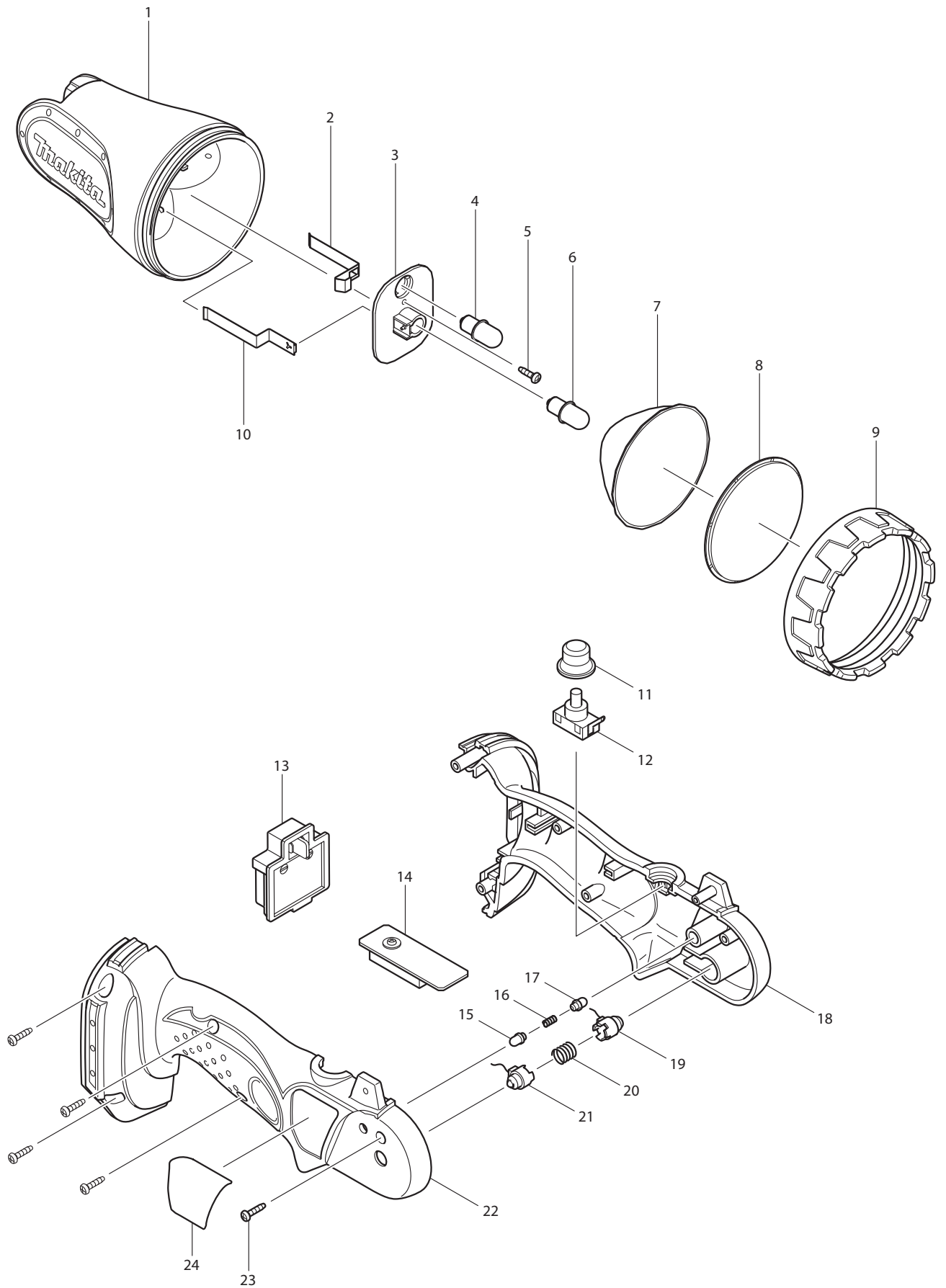
Model XSS02Z Parts List

A = Standard Equipment

O = Circuit Diagram

Item#	Part#	Description	Q'ty	Unit
001	265995-6	TAPPING SCREW 4X18	5	PC.
002	141472-1	HANDLE COVER COMPLETE	1	PC.
003	651976-0	SWITCH TG73BD	1	PC.
004	231469-9	COMPRESSION SPRING 4	1	PC.
005	419664-3	LOCK OFF LEVER	1	PC.
007	231469-9	COMPRESSION SPRING 4	1	PC.
009	644808-8	TERMINAL	1	PC.
010	419665-1	SWITCH LEVER	1	PC.
011	265995-6	TAPPING SCREW 4X18	2	PC.
012	419281-9	REAR COVER	1	PC.
013	643829-7	HOLDER CAP	2	PC.
014	CB441	CARBON BRUSH CB-441 (195022-4)	1	SET
015	911263-2	PAN HEAD SCREW M5X40	3	PC.
016	643897-0	BRUSH HOLDER	1	PC.
017	643898-8	BRUSH HOLDER	1	PC.
018	815L52-8	XSS02 NAME PLATE	1	
019	142597-4	MOTOR HOUSING COMPLETE	1	
	C10	803K44-3 CAUTION LABEL	1	
020	638571-3	YOKE UNIT	1	PC.
021	419285-1	BAFFLE PLATE	1	PC.
022	266292-3	TAPPING SCREW 4X65	2	PC.
023	210045-2	BALL BEARING 627DDW	1	PC.
024	510095-0	ARMATURE ASS'Y 18V	1	PC.
	D10	INC. 23,25,26		
025	241869-5	FAN 55	1	PC.
026	211061-7	BALL BEARING 6000LLB	1	PC.
027	346059-6	SHAFT LOCK	1	PC.
028	233092-6	COMPRESSION SPRING 5	1	PC.
031	142596-6	BLADE CASE COMPLETE	1	
	C10	213434-0 O RING 26	1	PC.
	C20	802U29-6 CAUTION LABEL	1	
033	262049-0	RUBBER RING 6	1	PC.
034	251368-9	+ COUNTERSUNK SCREW M6	1	PC.
035	210028-2	BALL BEARING 606ZZ	1	PC.
036	961052-5	RETAINING RING S-12	1	PC.
037	227156-6	SPUR GEAR 52	1	PC.
038	257173-2	RING 12	1	PC.
039	213512-6	O RING 39	1	PC.
040	265034-2	+ COUNTERSUNK HEAD SCREW M5X16	2	PC.
041	318009-1	BEARING BOX	1	PC.
042	210109-2	BALL BEARING 6001DDW	1	PC.
043	324626-7	SPINDLE	1	PC.
044	285845-9	BEARING RETAINER 19-29	1	PC.
045	345469-4	THICKNESS RING	1	PC.
046	231821-1	TENSION SPRING 3	1	PC.
047	419280-1	SAFETY COVER	1	PC.
048	961152-1	RETAINING RING (EXT) S-34	1	PC.
049	224411-7	INNER FLANGE 35	1	PC.
050	224409-4	OUTER FLANGE 35	1	PC.
051	266133-3	HEX. SOCKET HEAD BOLT M6X20	1	PC.

056	961014-3	STOP RING E-8	1 PC.
057	272229-0	LEVER 40	1 PC.
058	252158-3	HEX.NUT M6	1 PC.
059	941151-9	FLAT WASHER 6	1 PC.
060	345658-1	DEPTH GUIDE	1 PC.
061	252103-8	HEX. LOCK NUT M5-8	1 PC.
062	345657-3	ANGULAR GUIDE	1 PC.
065	265056-2	+ PAN HEAD SCREW M5	1 PC.
066	266194-3	FLAT HEAD SCREW M6X90	1 PC.
067	256480-0	SHOULDER PIN 6-7	1 PC.
068	256480-0	SHOULDER PIN 6-7	1 PC.
069	266264-8	H.S.SET SCREW(FLAT POINT)M5X6	1 PC.
070	251919-8	CAP SQUARE NECK BOLT M6X20	1 PC.
071	231007-7	COMPRESSION SPRING 6	1 PC.
072	251896-4	SCREW M5X20	1 PC.
073	941151-9	FLAT WASHER 6	1 PC.
076	252133-9	HEX. NUT M6	1 PC.
077	961014-3	STOP RING E-8	1 PC.
078	272251-7	LEVER 30	1 PC.
079	266264-8	H.S.SET SCREW(FLAT POINT)M5X6	1 PC.
081	154831-0	BASE COMPLETE	1 PC.
082	266229-0	H.S.SET SCREW(CUP POINT)M5X8	1 PC.
085	253186-1	FLAT WASHER 7	1 PC.
A01	164095-8	GUIDE RULE	1 PC.
A05	783203-8	HEX. WRENCH 5	1 PC.
A08-1	A-96023	T.C.T SAW BLADE 165X15.88X16T	1 PC.
E01	620259-9	CONTROLLER	1

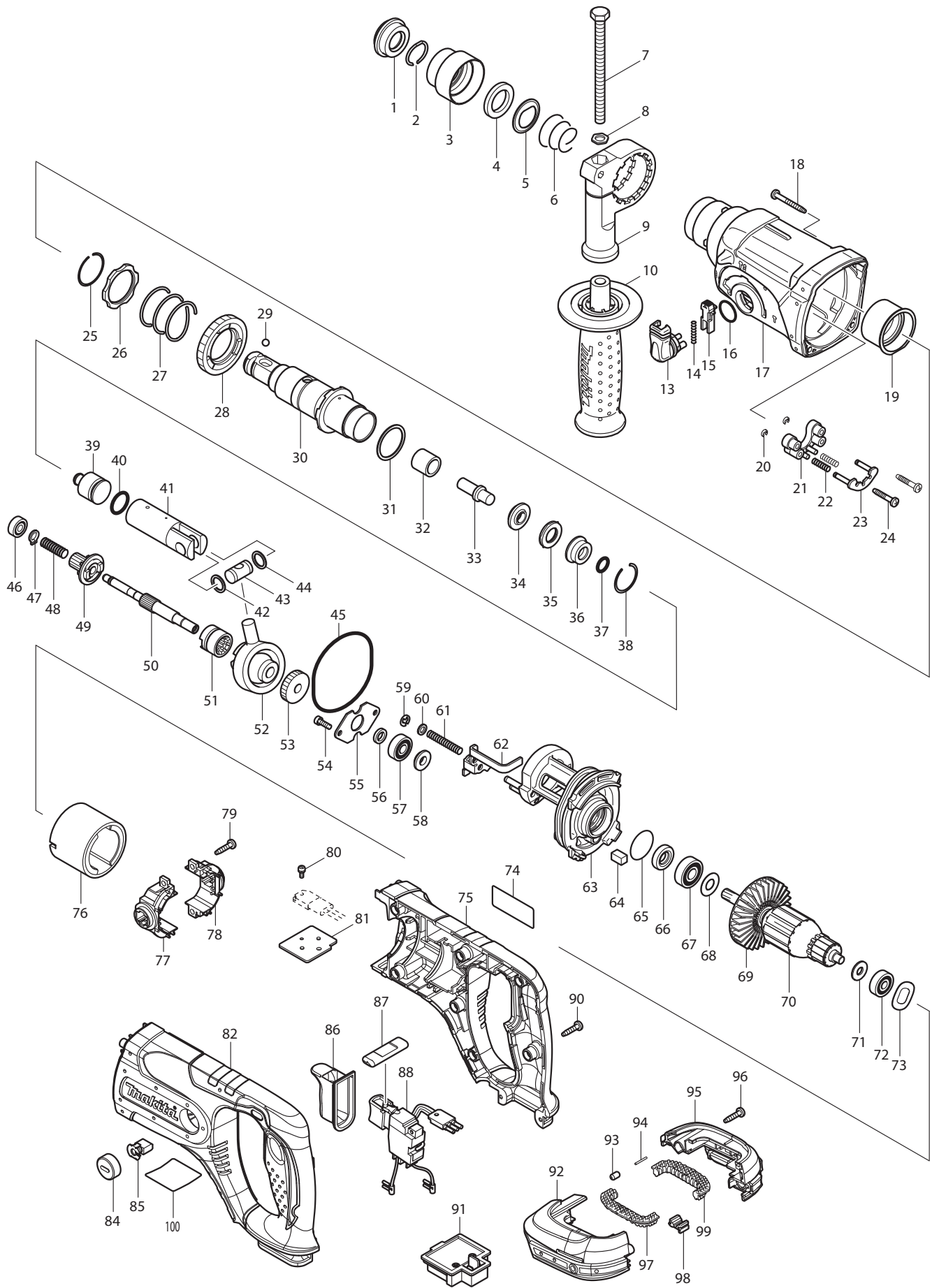


Model DML185/W Parts List

A = Standard Equipment

O = Circuit Diagram

Item#	Part#	Description	Q'ty	Unit
001	GM00001003	CASE HEAD 30105185104	1	PC. DML185
	GM00001120	CASE HEAD	1	PC. DML185W
002	GM00001010	BULB CONTACT PLATE-21201185002	1	PC.
003	GM00001002	PROTECTOR(CONTACT)32009120012	1	PC.
004	A-90261	BULB SET	1	SET
005	GM00001012	SCREW 3X12 PB BLACK ZN	1	PC.
006	A-90261	BULB SET	1	SET
007	GM00000130	REFLECTOR	1	PC.
008	GM00000070	LENS	1	PC.
009	GM00001001	REFLECTOR RETAINER 30110185003	1	PC.
010	GM00001009	BULB CONTACT PLATE (+)	1	PC.
011	GM00001006	RUBBER COVER 39010185004	1	PC.
012	GM00000200	SWITCH	1	PC.
013	GM00001116	BATTERY HOLDER (C2004185006)	1	PC.
014	GM00001029	CIRCUIT BOARD G0318500100	1	PC.
015	GM00001005	KNOCK SHAFT 31011120009	1	PC.
016	GM00000090	COMPRESSION SPRING 4	1	PC.
017	GM00001005	KNOCK SHAFT 31011120009	1	PC.
018	GM00001000	HOUSING SET	1	SET DML185
	GM00001056	HOUSING SET G0318500303	1	SET DML185W
	D10	INC. 22		
019	GM00001004	LEFT CASE SHAFT 3101012003	1	PC.
020	233144-3	COMPRESSION SPRING 7	1	PC.
021	632524-4	PIVOT TERMINAL UNIT R	1	PC.
022	GM00001000	HOUSING SET	1	SET DML185
	GM00001056	HOUSING SET G0318500303	1	SET DML185W
	D10	INC. 18		
023	GM00001013	SCREW 3X14 PB BLACK ZN	5	PC.
024	GM00001454	NAME PLATE	1	PC.
E01	810320-2	CAUTION LABEL	1	PC.



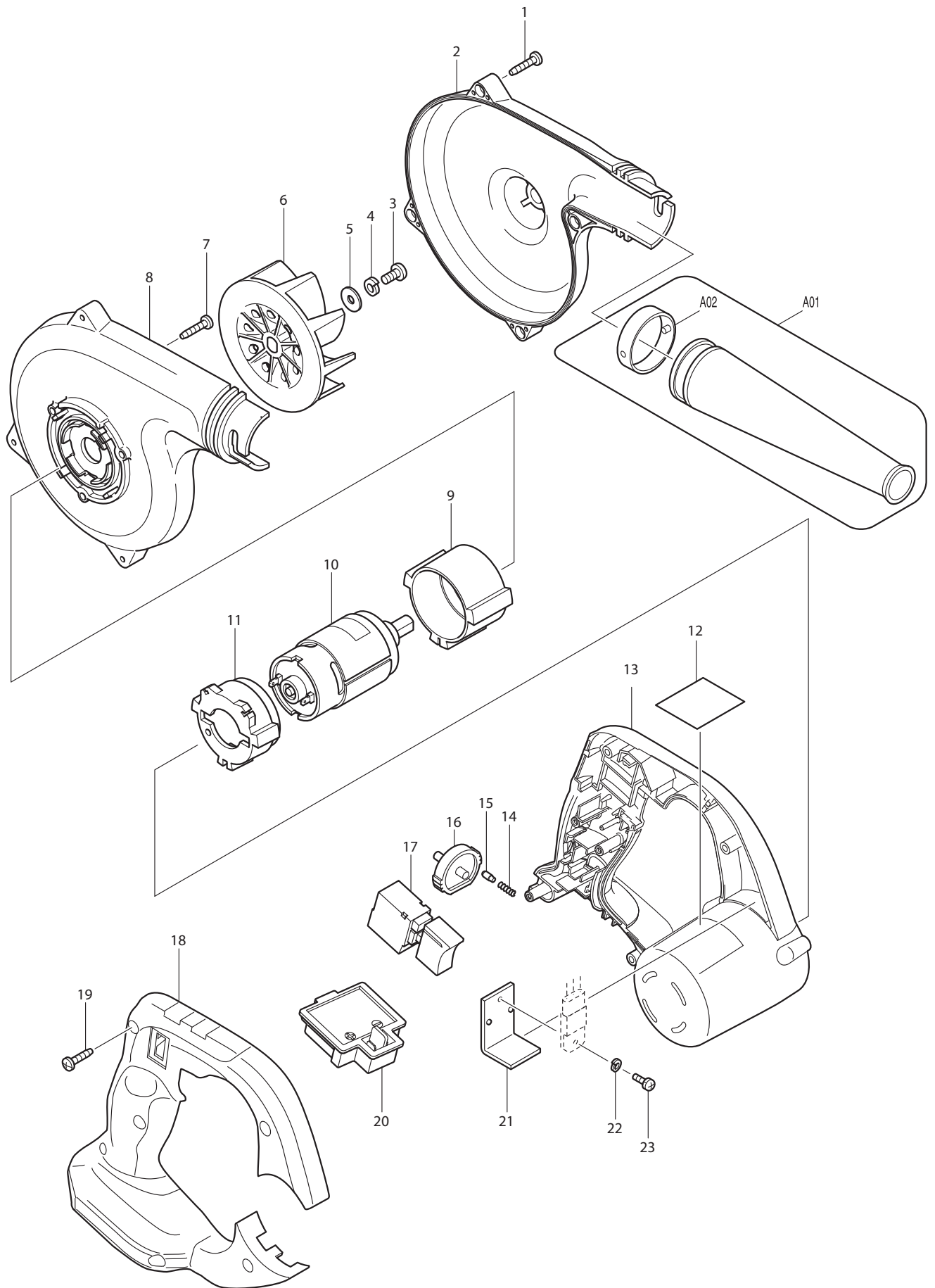
Model XRH04Z Parts List

A = Standard Equipment

O = Circuit Diagram

Item#	Part#	Description	Q'ty	Unit
001	286263-4	CAP 35	1	PC.
002	233940-9	RING SPRING 19	1	PC.
003	417629-9	CHUCK COVER	1	PC.
004	257241-1	RING 21	1	PC.
005	345187-4	GUIDE WASHER	1	PC.
006	233916-6	CONICAL COMP. SPRING 21-29	1	PC.
007	921923-8	HEX. BOLT M8X120	1	PC.
008	345280-4	HEX. WASHER	1	PC.
009	417630-4	GRIP BASE	1	PC.
010	158057-6	GRIP 36 COMPLETE	1	PC.
	C10 931402-8	HEX. NUT M8	1	PC.
013	162245-9	CHANGE LEVER	1	PC.
014	233459-8	COMPRESSION SPRING 3	1	PC.
015	419192-8	LOCK BUTTON	1	PC.
016	213278-8	O RING 17	1	PC.
017	158216-2	GEAR HOUSING COMPLETE	1	PC.
	C10 213345-9	OIL SEAL 25	1	PC.
018	266351-3	TAPPING SCREW 4X35	4	PC.
019	153290-5	NEEDLE BEARING COMPLETE	1	PC.
020	961017-7	STOP RING E-3	2	PC.
021	417796-0	GUIDE BASE	1	PC.
022	233344-5	COMPRESSION SPRING 4	2	PC.
023	163430-7	LOCK PLATE COMPLETE	1	PC.
024	266374-1	TAPPING SCREW 4X25	2	PC.
025	233929-7	RING SPRING 29	1	PC.
026	267460-1	WASHER 31	1	PC.
027	233401-9	COMPRESSION SPRING 32	1	PC.
028	227109-5	SPUR GEAR 51	1	PC.
029	216022-2	STEEL BALL 7.0	1	PC.
030	158574-6	TOOL HOLDER COMPLETE	1	PC.
031	267229-3	FLAT WASHER 28	1	PC.
032	331769-8	SLEEVE 9	1	PC.
033	324669-9	IMPACT BOLT	1	PC.
034	324402-9	RING 10	1	PC.
035	421955-0	CUSHION RING 13	1	PC.
036	324216-6	O RING CASE	1	PC.
037	213073-6	O RING 9	1	PC.
038	233917-4	RING SPRING 28	1	PC.
039	324214-0	STRIKER	1	PC.
040	213227-5	O RING 16	1	PC.
041	318132-2	PISTON CYLINDER	1	PC.
042	267104-3	FLAT WASHER 12	1	PC.
043	324215-8	PISTON JOINT	1	PC.
044	267104-3	FLAT WASHER 12	1	PC.
045	213727-5	O-RING 63	1	PC.
046-1	210028-2	BALL BEARING 606ZZ	1	PC.
047	961003-8	RETAINING RING S-7	1	PC.
048	233343-7	COMPRESSION SPRING 7	1	PC.
049	227179-4	SPUR GEAR 10	1	PC.
050	324668-1	CAM SHAFT	1	PC.

051	331992-5	CLUTCH CAM	1 PC.
052	219014-0	SWASH BEARING 10	1 PC.
053	226632-7	HELICAL GEAR 25	1 PC.
054	266273-7	HEX. SOCKET HEAD BOLT M4X1	2 PC.
055	345179-3	BEARING RETAINER	1 PC.
056	267234-0	FLAT WASHER 8	1 PC.
057-1	210029-0	BALL BEARING 608ZZ	1 PC.
058	324212-4	RING 8	1 PC.
059	961011-9	STOP RING E-4	1 PC.
060	941102-2	FLAT WASHER 5	1 PC.
061	233342-9	COMPRESSION SPRING 6	1 PC.
062	345363-0	CHANGE PLATE	1 PC.
063	141574-3	INNER HOUSING COMPLETE	1 PC.
065	213407-3	O RING 26	1 PC.
066	213077-8	OIL SEAL 10	1 PC.
067	210059-1	BALL BEARING 6000DDW	1 PC.
068	267213-8	FLAT WASHER 10	1 PC.
069	240092-9	FAN 64	1 PC.
070	519226-8	ARMATURE ASS'Y 18V	1 PC.
	D10	INC. 67-69,71,72	
071	253823-7	FLAT WASHER 7	1 PC.
072	210023-2	BALL BEARING 627DDW	1 PC.
073	267816-8	WAVE WASHER 15	1 PC.
074	815J34-8	XRH04 NAME PLATE	1
075	188577-6	HOUSING SET	1 SET
	D10	INC. 82	
076	638020-0	YOKE UNIT	1 PC.
077	643836-0	BRUSH HOLDER	1 PC.
078	643837-8	BRUSH HOLDER	1 PC.
079	266326-2	TAPPING SCREW 4X18	2 PC.
080	911011-9	PAN HEAD SCREW M3X10	1 PC.
081	689070-8	HEAT SINK	1 PC.
082	188577-6	HOUSING SET	1 SET
	D10	INC. 75	
084	643829-7	HOLDER CAP	2 PC.
085	CB441	CARBON BRUSH CB-441 (195022	1 SET
086	424111-1	SWITCH COVER	1 PC.
087	450615-7	F/R CHANGE LEVER	1 PC.
088	650655-7	SWITCH TG553FSB-7B	1 PC.
090	266326-2	TAPPING SCREW 4X18	7 PC.
091	644808-8	TERMINAL	1 PC.
092	187212-3	BATTERYHOUSING SET	1 PC.
	C10	263005-3 RUBBER PIN 6	2 PC.
	D10	INC. 95	
093	263036-2	RUBBER PIN 5	1 PC.
094	268184-2	PIN 1.5	1 PC.
095	187212-3	BATTERYHOUSING SET	1 PC.
092	C10	263005-3 RUBBER PIN 6	2 PC.
	D10	INC. 92	
096	266326-2	TAPPING SCREW 4X18	2 PC.
097	424042-4	CUSHION RUBBER	1 PC.
098	424476-1	CUSHION	1 PC.
099	424042-4	CUSHION RUBBER	1 PC.
100	815J43-7	XRH04 SERIAL NO. LABEL	1
A01	324219-0	DEPTH GAUGE	1 PC.

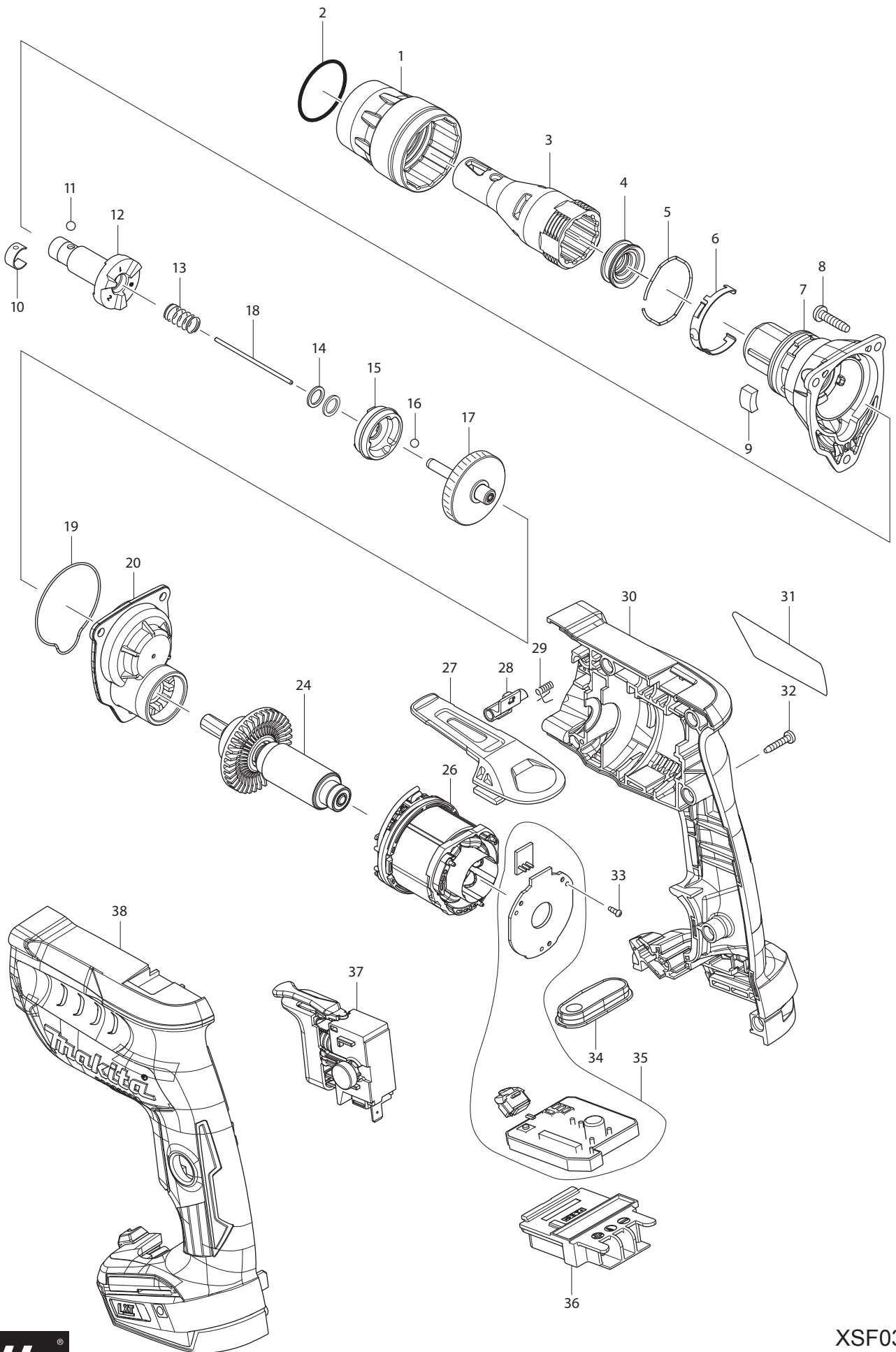


Model DUB182Z Parts list

A = Standard Equipment

O = Circuit Diagram

Item#	Part#	Description	Q'ty	Unit
001	KW00000210	TAPPING SCREW 4X18	4	PC.
002	TP00000112	FAN HOUSING SET(AS-890FHL-MK-R	1	SET
	D10	INC. 8		
003	KW00000220	PAN HEAD SCREW M5X8	1	PC.
004	KW00000160	SPRING WASHER M5	1	PC.
005	KW00000170	FLAT WASHER 5	1	PC.
006	KW00000100	FAN AP-10302	1	PC.
007	KW00000210	TAPPING SCREW 4X18	3	PC.
008	TP00000112	FAN HOUSING SET(AS-890FHL-MK-R	1	SET
	D10	INC. 2		
009	KW00000150	MOTOR RUBBER RING A	1	PC.
010	TP00000113	MOTOR SET (AS-890-MS18-R)	1	SET
011	TP00000083	MOTOR RUBBER RING B	1	PC.
013-3	TP00000211	MOTOR HOUSING SET	1	PC.
	D10	INC. 18		
014	TP00000084	SPRING	1	PC.
015	TP00000085	PIN	1	PC.
016-1	TP00000212	DIAL	1	PC.
017-4	TP00000208	SWITCH AS-890SW01A-MK-R	1	PC.
018-3	TP00000211	MOTOR HOUSING SET	1	PC.
	D10	INC. 13		
019	KW00000210	TAPPING SCREW 4X18	6	PC.
020-1	GM00001116	BATTERY HOLDER (C2004185006)	1	PC.
A01	132025-7	NOZZLE ASS'Y	1	PC.
C10	414145-2	JOINT	1	PC.

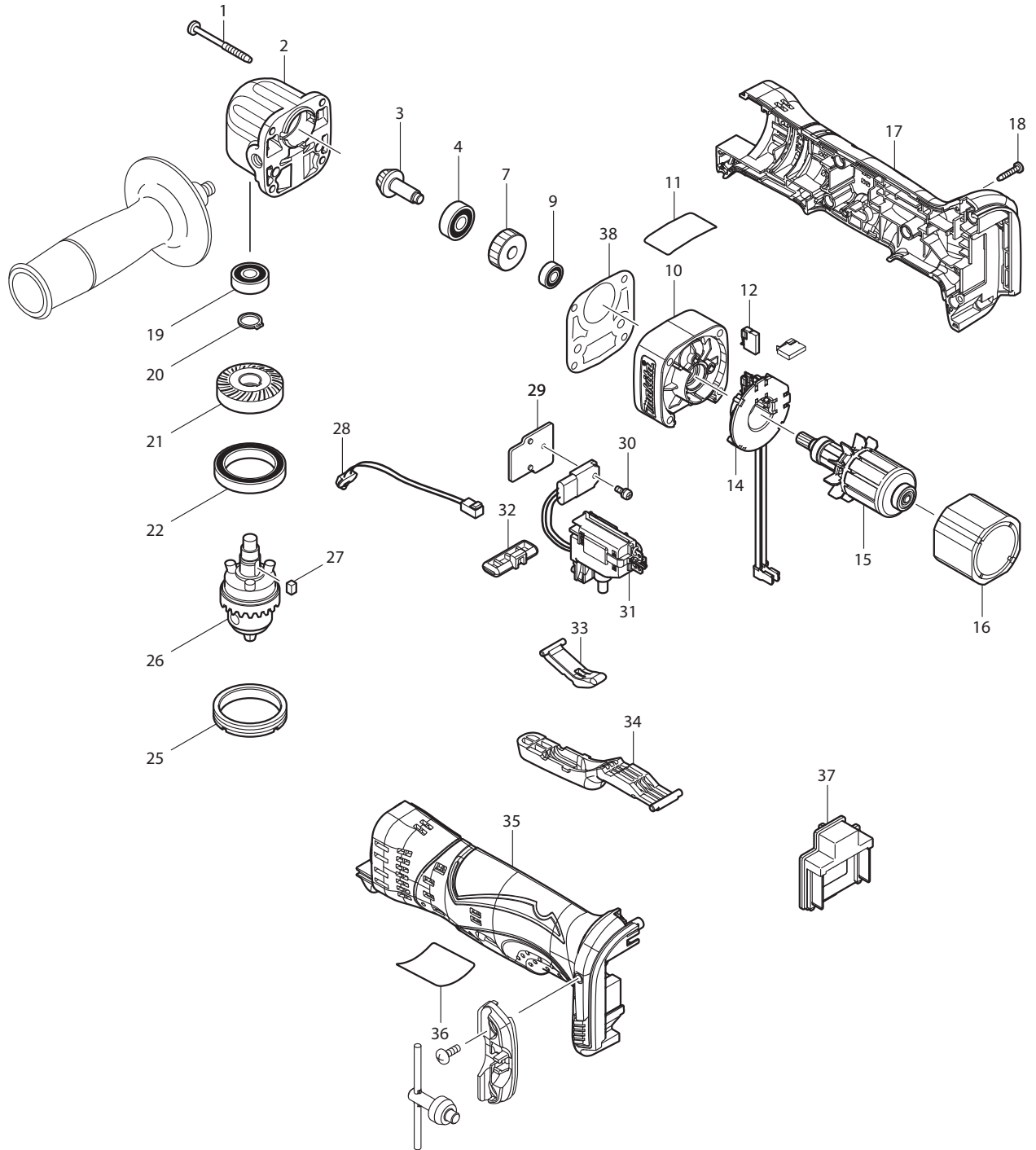


Model XSF03Z Parts List

A = Standard Equipment

O = Circuit Diagram

Item#	Part#	Description	Q'ty	Unit
001	455591-0	LOCK RING	1	
002	424235-3	SEAL RING 30	1	PC.
003	158876-0	LOCATOR L COMPLETE	1	PC.
004	424665-8	DUST SEAL SLEEVE	1	
005	234348-0	RING SPRING 30	1	
006	232245-4	LEAF SPRING	1	PC.
007	142902-5	GEAR HOUSING COMPLETE	1	PC.
	C10 213796-6	OIL SEAL 11	1	PC.
008	265995-6	TAPPING SCREW 4X18	3	PC.
009	423413-2	RUBBER PLATE	1	PC.
010	232050-9	LEAF SPRING	1	PC.
011	216001-0	STEEL BALL 3.5	1	PC.
012	142903-3	SPINDLE 125S COMPLETE	1	PC.
013	234121-8	COMPRESSEION SPRING 8	1	PC.
014	267202-3	FLAT WASHER 8	2	PC.
015	223181-5	CLUTCH CAM 125S	1	PC.
016	216008-6	STEEL BALL 4	3	PC.
017	142904-1	GEAR COMPLETE	1	
	C10 424663-2	SEAL	1	
018	268325-0	ROD 2	1	
019	424664-0	SEAL RING	1	
020	142909-1	GEAR HOUSING COVER COMPLET	1	PC.
024	519355-7	ROTOR ASS'Y	1	PC.
026	629135-4	STATOR	1	PC.
027	162272-6	HOOK	1	PC.
028	142908-3	LEVER COMPLETE	1	PC.
029	233619-2	TORSION SPRING 3	1	
030	187968-8	HOUSING SET	1	SET
	C10 263005-3	RUBBER PIN 6	2	PC.
	D10	INC. 38		
031	850H35-7	XSF03 NAME PLATE	1	
032	266130-9	TAPPING SCREW BIND PT 3X16	7	PC.
033	266490-9	TAPPING SCREW PT 2X6	3	PC.
034	142905-9	SWITCH PLATE COMPLETE	1	
035	620349-8	CONTROLLER	1	
036	643860-3	TERMINAL	1	PC.
037	650733-3	SWITCH C3JW-4B-2L	1	PC.
038	187968-8	HOUSING SET	1	SET
	C10 263005-3	RUBBER PIN 6	2	PC.
	D10	INC. 30		
039	850H40-4	XSF03 SERIAL NO. LABEL	1	
A01	266622-8	+ TRUSS HEAD SCREW M4X12	1	PC.
A02	346449-3	HOOK	1	PC.
A03	784211-B	+BIT 2-25	2	PC.
A04	784812-6	MAGNETIC CONNECT BIT 6.35-76	1	
D01	654562-6	INSULATED CONNECTOR 35115	3	PC.

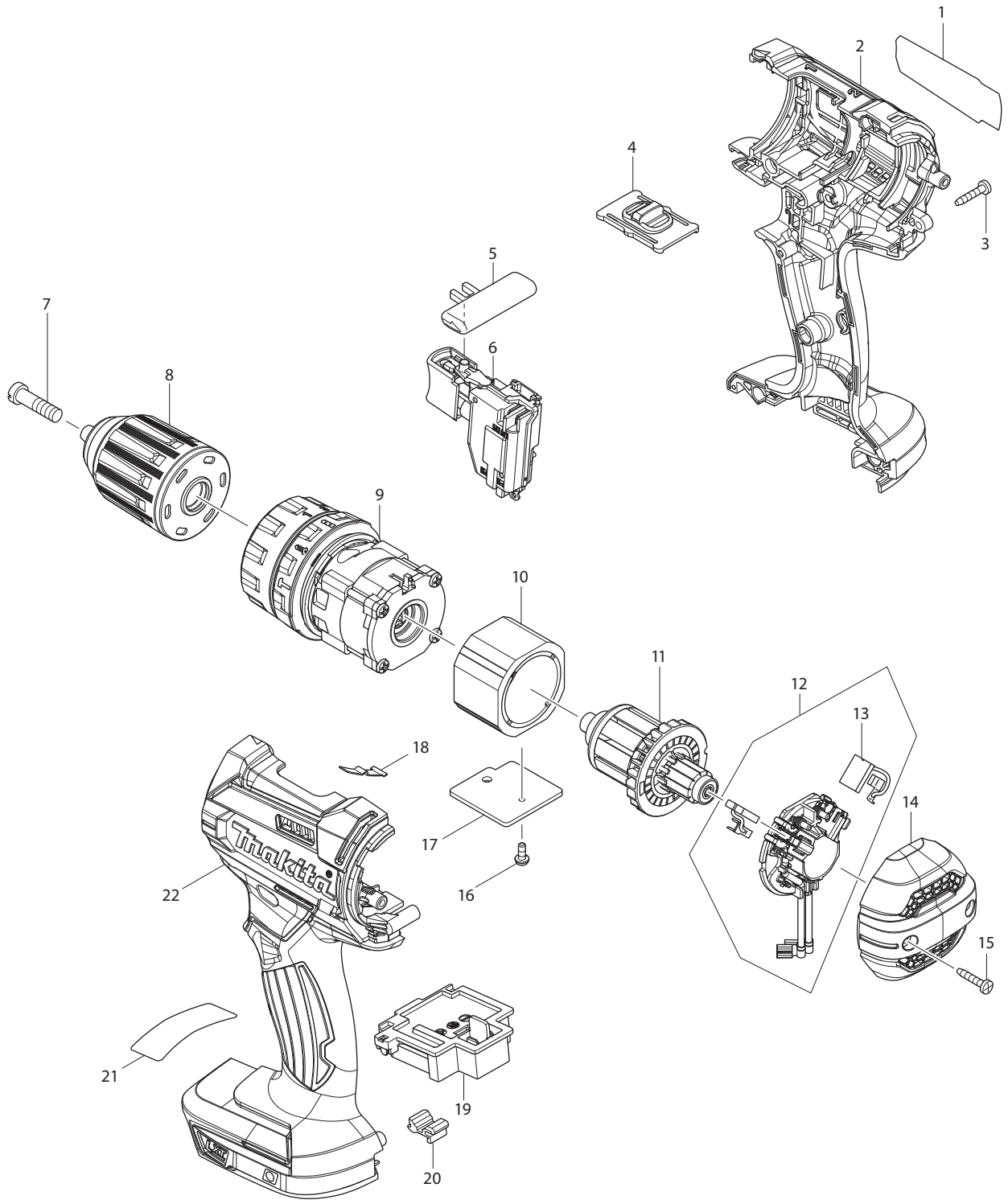


Model XAD01/Z Parts List

A = Standard Equipment

O = Circuit Diagram

Item#	Part#	Description	Q'ty	Unit	
001	266069-6	TAPPING SCREW 4X45	4	PC.	
002	317635-3	GEAR HOUSING	1	PC.	
003	227436-0	SPIRAL BEVEL GEAR 9	1	PC.	
004	210029-0	BALL BEARING 608ZZ	1	PC.	
007	227230-0	SPUR GEAR 29	1	PC.	
009	210033-9	BALL BEARING 696ZZ	1	PC.	
010	450607-6	GEAR HOUSING COVER	1	PC.	
011	803U04-5	CAUTION LABEL	1		
012	CB440	CARBON BRUSH CB-440 (195021-6)	1	SET	
014	539189-2	BRUSH HOLDER ASSY	1	PC.	
	D10	INC. 12			
015	619234-0	ARMATURE	1	PC.	
016	638613-3	YOKE UNIT	1	PC.	
017	187130-5	HOUSING SET	1	SET	
	D10	INC. 35			
018	266130-9	TAPPING SCREW BIND PT 3X16	5	PC.	
019	210029-0	BALL BEARING 608ZZ	1	PC.	
020	961052-5	RETAINING RING S-12	1	PC.	
021	227536-6	SPIRAL BEVEL GEAR 26	1	PC.	
022	211423-9	BALL BEARING 6806DDW	1	PC.	
025	285842-5	BEARING RETAINER 36-43	1	PC.	
026	763174-5	DRILL CHUCK S10	1	PC.	
027	254201-4	KEY 4	1	PC.	
028	631814-2	LED CIRCUIT	1	PC.	
029	689098-6	HEAT SINK	1	PC.	
030	911006-2	PAN HEAD SCREW M3X8	1	PC.	
031	632B91-1	SWITCH UNIT	1	PC.	
032	450610-7	F/R CHANGE LEVER	1	PC.	
033	450609-2	LINK	1	PC.	
034	450608-4	SWITCH LAVER	1	PC.	
035	187130-5	HOUSING SET	1	SET	
	D10	INC. 17			
036	815P23-9	XAD01 NAME PLATE	1		
037	644808-8	TERMINAL	1	PC.	
038	418036-9	GASKET	1	PC.	
A01	153489-2	GRIP 36 COMPLETE	1	PC.	
A02	251314-2	+ SCREW M4X12	1	PC.	
A03	450688-0	KEY HOLDER	1	PC.	
A04	763415-9	CHUCK KEY S10	1	PC.	
A05	***DC18RC	DC18RC FAST CHARGER	1	PC. (XAD01)	
A06	BL1830	BATTERY BL1830 SET	2	SET (XAD01)	
A07	450128-8	BATTERY COVER	1	PC. (XAD01)	
A08	141358-9	PLASTIC CARRYING CASE	1	PC. (XAD01)	
	C10	163455-1	LATCH	2	PC. (XAD01)
	C20	419360-3	HANDLE	1	PC. (XAD01)

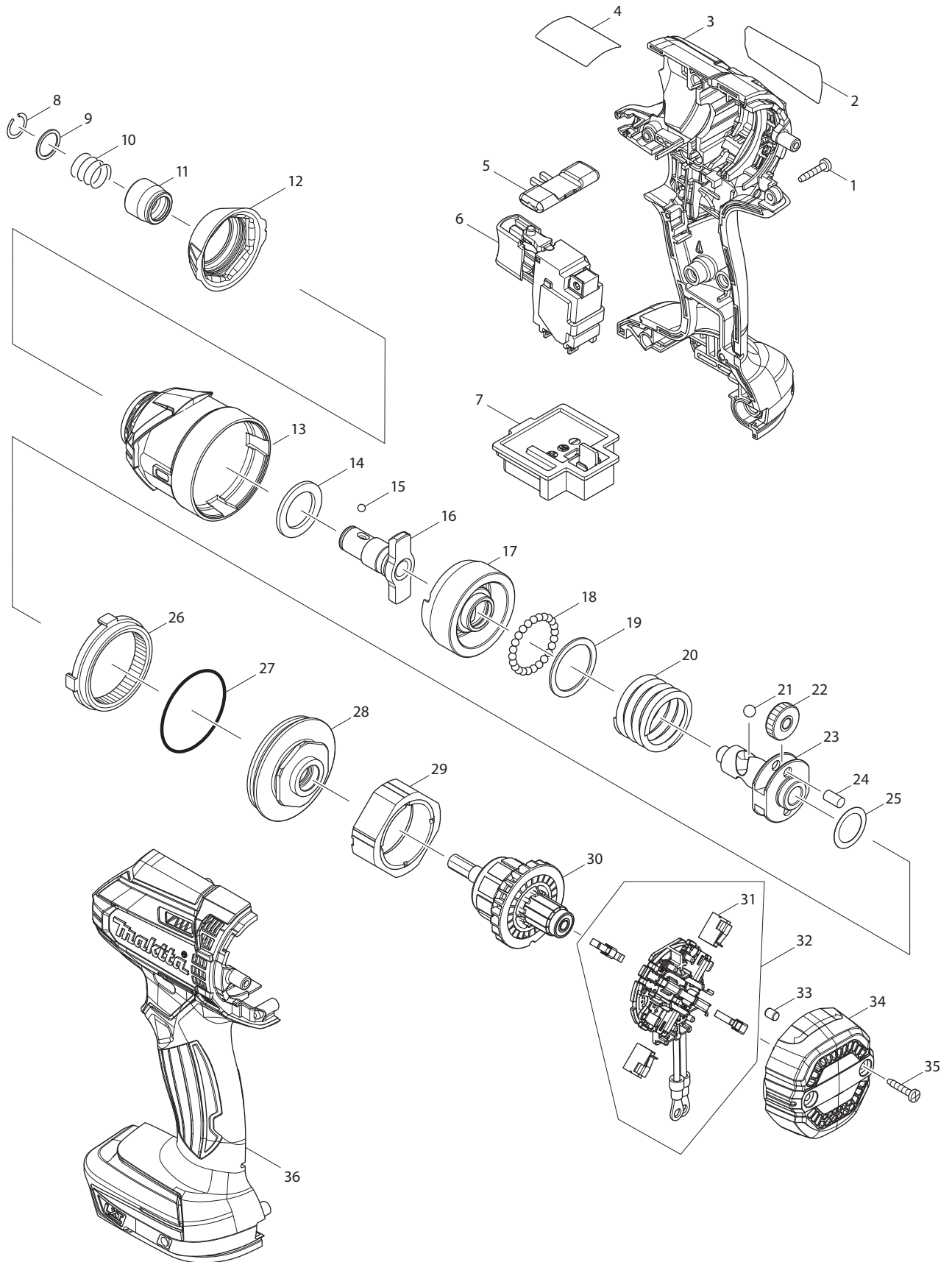


Model XPH10R Parts List

A = Standard Equipment

O = Circuit Diagram

Item#	Part#	Description	Q'ty	Unit
001	851E31-0	XPH10 NAME PLATE	1	
002	183B65-0	HOUSING SET	1	
	C10 263005-3	RUBBER PIN 6	2	PC.
	D10	INC. 22		
003	266429-2	TAPPING SCREW 3X16	9	PC.
004	123442-2	SPEED CHANGE LEVER ASSEMBLY	1	
	C10 233438-6	COMPRESSION SPRING 4	2	PC.
005	419041-9	F/R CHANGE LEVER	1	PC.
006	650753-7	SWITCH	1	
	C10 620444-4	LED CIRCUIT	1	
007	251468-5	- FLAT HEAD SCREW M6X22	1	PC.
008	766027-7	KEYLESS DRILL CHUCK 13	1	
009	123443-0	GEAR ASSEMBLY	1	
010	632F32-1	YOKE UNIT	1	
011	619380-9	ARMATURE	1	
012	632F22-4	BRUSH HOLDER COMPLETE	1	
	D10	INC. 13		
013	CB440	CARBON BRUSH CB-440 (195021-6)	1	SET
014	456099-7	REAR COVER	1	
015	266429-2	TAPPING SCREW 3X16	2	PC.
016	911006-2	PAN HEAD SCREW M3X8	1	PC.
017	689070-8	HEAT SINK	1	PC.
018	232182-2	LEAF SPRING	1	PC.
019	644808-8	TERMINAL	1	PC.
020	424476-1	CUSHION	1	PC.
021	806Y20-0	CAUTION LABEL	1	
022	183B65-0	HOUSING SET	1	
	C10 263005-3	RUBBER PIN 6	2	PC.
	D10	INC. 2		
A01	346449-3	HOOK	1	PC.
A02	251314-2	+ SCREW M4X12	1	PC.
A03	141856-3	PLASTIC CARRYING CASE COMPLETE	1	PC. (XPH10R)
	C10 162302-3	LATCH	2	PC. (XPH10R)
	C20 324207-7	SHAFT	1	PC. (XPH10R)
	C30 451749-9	HANDLE	1	PC. (XPH10R)
A04	450128-8	BATTERY COVER	1	PC. (XPH10R)
A05	***DC18RC	DC18RC FAST CHARGER	1	PC. (XPH10R)
A06	BL1820B	BATTERY BL1820B SET	2	(XPH10R)

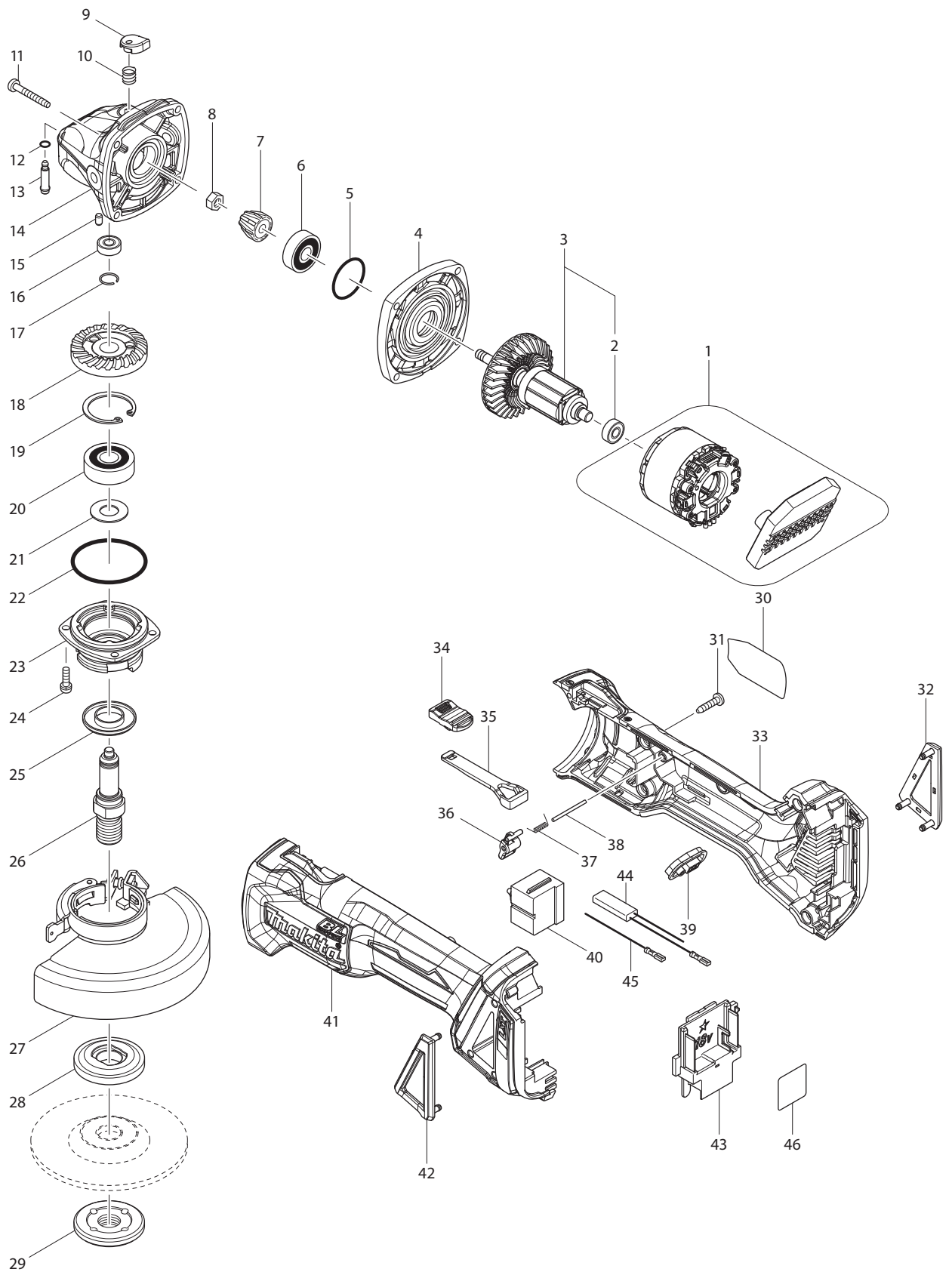


Model XDT11R Parts list

A = Standard Equipment

O= Circuit Diagram

Item#	Part#	Description	Q'ty	Unit
001	266429-2	TAPPING SCREW 3X16	8	PC.
002	851E28-9	XDT11 NAME PLATE	1	
003	183B63-4	HOUSING SET	1	
	C10 263005-3	RUBBER PIN 6	2	PC.
	D10	INC. 36		
004	806W83-4	CAUTION LABEL	1	
005	455053-8	F/R CHANGE LEVER	1	PC.
006	650751-1	SWITCH	1	
	C10 620445-2	LED CIRCUIT	1	
007	643852-2	TERMINAL	1	PC.
008	231951-8	RING SPRING 11	1	PC.
009	267085-1	FLAT WASHER 12	1	PC.
010	233005-7	COMPRESSION SPRING 13	1	PC.
011	326068-1	BIT SLEEVE	1	PC.
012	424738-7	BUMPER	1	
013	143299-5	HAMMER CASE COMPLETE	1	
014	261151-6	NYLON WASHER 19	1	PC.
015	216040-0	STEEL BALL 3.5	2	PC.
016	326563-1	ANVIL M	1	
017	326564-9	HAMMER	1	
018	216040-0	STEEL BALL 3.5	24	PC.
019	267175-0	FLAT WASHER 24	1	PC.
020	234251-5	COMPRESSION SPRING 25	1	PC.
021	216041-8	STEEL BALL 5.6	2	
022	227362-3	SPUR GEAR 22	2	PC.
023	326562-3	SPINDLE	1	
024	256253-1	PIN 5	2	PC.
025	253314-8	THIN WASHER 15	1	PC.
026	227378-8	INTERNAL GEAR 51	1	
027	213507-9	O RING 40	1	PC.
028	143298-7	BEARING BOX COMPLETE	1	
029	638396-5	YOKE UNIT	1	PC.
030	619377-8	ARMATURE	1	
031	CB448	CARBON BRUSH CB-448 (196855-0)	2	
032	632F23-2	BRUSH HOLDER COMPLETE	1	
	D10	INC. 31		
033	263032-0	RUBBER PIN 4	4	PC.
034	456044-2	REAR COVER	1	
035	266429-2	TAPPING SCREW 3X16	2	PC.
036	183B63-4	HOUSING SET	1	
	C10 263005-3	RUBBER PIN 6	2	PC.
	D10	INC. 3		
A01	346449-3	HOOK	1	PC.
A02	266622-8	+ TRUSS HEAD SCREW M4X12	1	PC.
A03	141856-3	PLASTIC CARRYING CASE COMPLETE	1	PC. (XDT11R)
	C10 162302-3	LATCH	2	PC. (XDT11R)
	C20 324207-7	SHAFT	1	PC. (XDT11R)
	C30 451749-9	HANDLE	1	PC. (XDT11R)
A04	450128-8	BATTERY COVER	1	PC. (XDT11R)
A05	***DC18RC	DC18RC FAST CHARGER	1	PC. (XDT11R)
A06	BL1820B	BATTERY BL1820B SET	2	(XDT11R)
D01	652045-0	+PAN HEAD SCREW M3.5X5	2	PC.



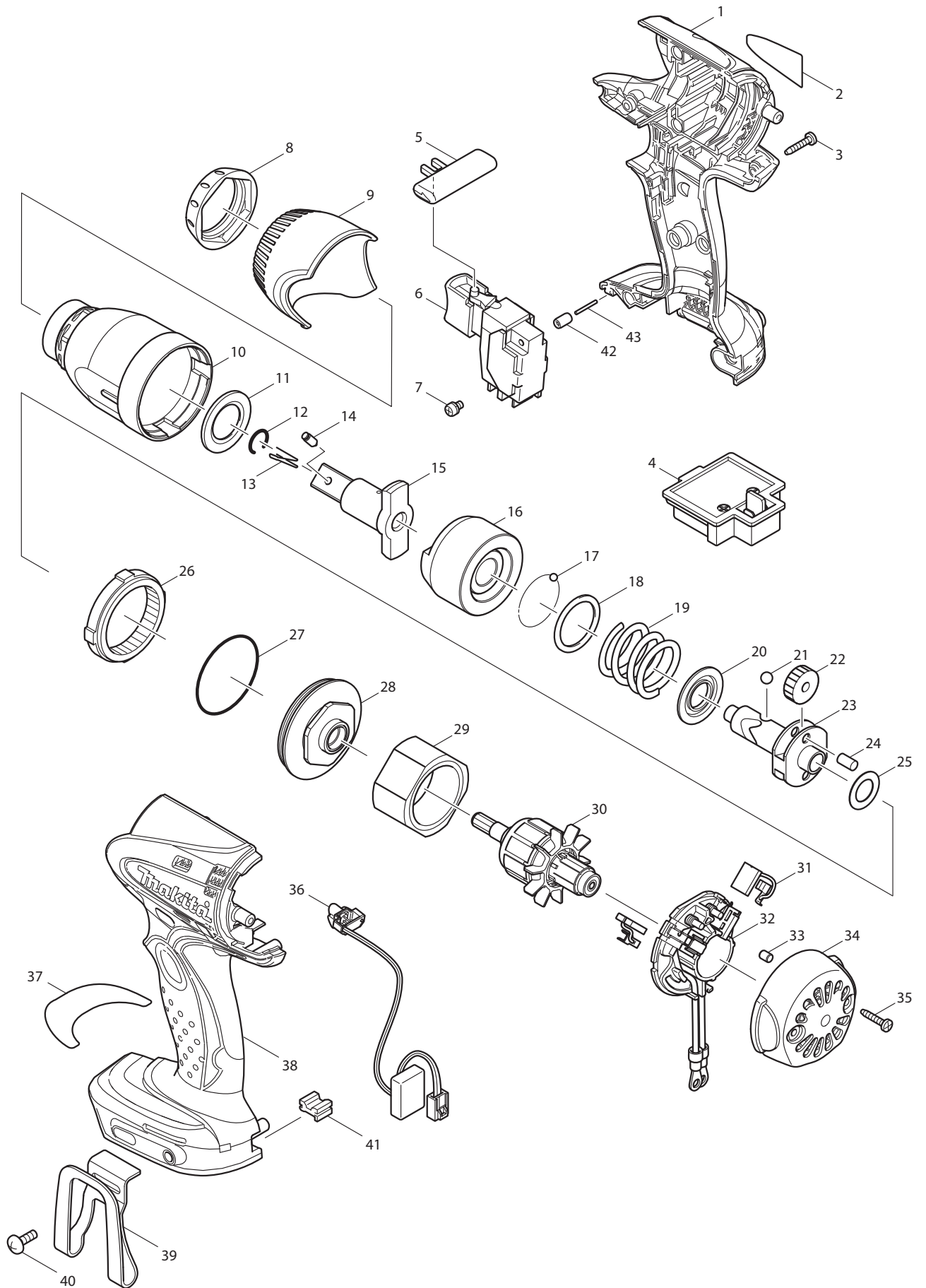
Model XAG03Z Parts List

A = Standard Equipment

O = Circuit Diagram

Item#	Part#	Description	Q'ty	Unit	
001	629134-6	STATOR COMPLETE	1	PC.	
002	210034-7	BALL BEARING 607LLB	1	PC.	
003	519354-9	ROTOR ASS'Y	1		
	D10	INC. 2			
004	319214-3	GEAR HOUSING COVER	1		
005	213445-5	O-RING 26	1	PC.	
006	210042-8	BALL BEARING 629LLB	1	PC.	
007	227541-3	SPIRAL BEVEL GEAR 10	1	PC.	
008	252186-8	HEX. NUT M6	1	PC.	
009	417771-6	PIN CAP	1	PC.	
010	233072-2	COMPRESSION SPRING 8	1	PC.	
011	266361-0	TAPPING SCREW 4X30	4	PC.	
012	213960-9	O RING 5	1	PC.	
013	256546-6	SHOULDER PIN 4	1	PC.	
014	319213-5	GEAR HOUSING	1		
015	263002-9	RUBBER PIN 4	1	PC.	
016	210033-9	BALL BEARING 696ZZ	1	PC.	
017	233950-6	RING SPRING 11	1	PC.	
018	227641-9	SPIRAL BEVEL GEAR 37	1		
019	962151-6	RETAINING RING R-32	1	PC.	
020	211129-9	BALL BEARING 6201DDW	1	PC.	
021	267113-2	FLAT WASHER 12	1	PC.	
022	213622-9	O RING 45	1	PC.	
023	318331-6	BEARING BOX	1	PC.	
024	911121-2	PAN HEAD SCREW M4X14	4	PC.	
025	345464-4	LABYRINTH RING	1	PC.	
026	324955-8	SPINDLE A	1	PC.	
027	123144-0	TOOLLESS WHEELCOVER 115AK ASSY	1	PC.	
	C10	213009-5	O RING 4	1	PC.
	C20	265180-1	PAN HEAD SCREW M5X16	1	PC.
028	224399-1	INNER FLANGE 45	1	PC.	
029	224568-4	LOCK NUT 5/8-45	1	PC.	
030	850J28-6	XAG03 NAME PLATE	1		
031	266326-2	TAPPING SCREW 4X18	5	PC.	
032	455450-8	DUST COVER R	1		
033	187998-9	MOTOR HOUSING SET	1		
	C10	263005-3	RUBBER PIN 6	2	PC.
	D10	INC. 41			
034	455447-7	SWITCH KNOB	1		
035	455446-9	SWITCH LEVER	1		
036	455448-5	LEVER	1		
037	231679-8	TORSION SPRING 2	1		
038	268330-7	PIN 2	1		
039	142901-7	INDICATOR PANEL COMPLETE	1		
040	650579-7	SWITCH 1246.3223	1	PC.	
041	187998-9	MOTOR HOUSING SET	1		
	C10	263005-3	RUBBER PIN 6	2	PC.
	D10	INC. 33			
042	455449-3	DUST COVER L	1		
043	643899-6	TERMINAL	1	PC.	
044	632E34-1	RESISTOR UNIT	1	PC.	
045	632E33-3	LEAD UNIT	1	PC.	

046	850J33-3	XAG03 SERIAL NO. LABEL	1
A01	122910-2	WHEEL COVER 115CK ASSEMBLY	1 PC.
	C10 213009-5	O RING 4	1 PC.
	C20 265180-1	PAN HEAD SCREW M5X16	1 PC.
A02	158237-4	GRIP 36 COMPLETE	1 PC.
A03	782424-9	LOCK NUT WRENCH 28	1 PC.
A04	A-95956	INOX GRINDING WHEEL 115MM	1 PC.
A05	724115-A-25	THIN CUTTING 115	1 PC.
E01	805C42-5	CAUTION LABEL	1
D01	652044-2	+BIND SCREW M3.5X5.0	2 PC.
D02	654509-0	CONNECTOR 2-SD	1 PC.

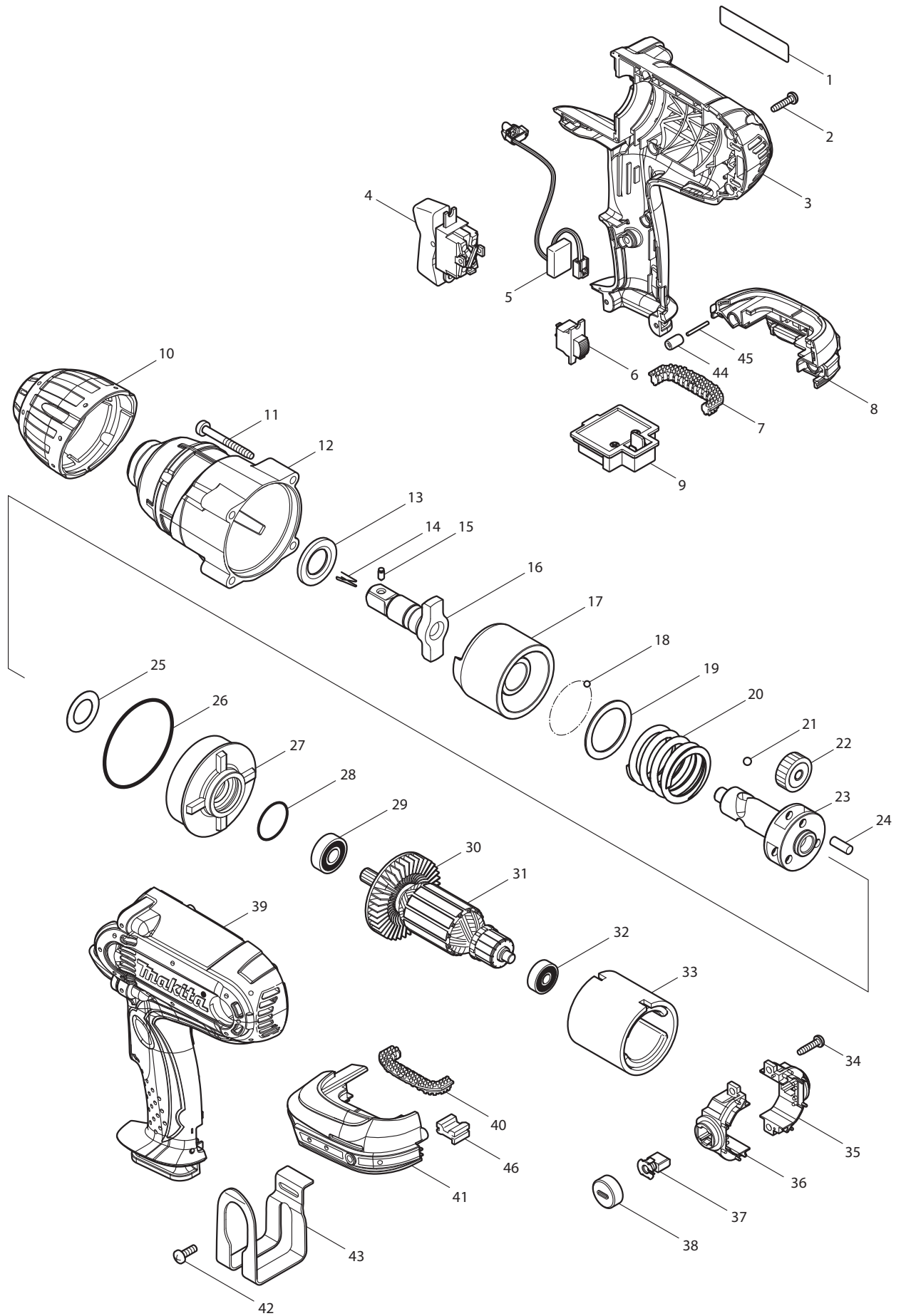


Model XWT05/XWT05Z Parts List

A = Standard Equipment

O = Circuit Diagram

Item#	Part#	Description	Q'ty	Unit
001	188243-5	HOUSING SET	1	SET
	C10 263005-3	RUBBER PIN 6	2	PC.
	D10	INC. 38		
002	815E49-5	XWT05 NAME PLATE	1	
003	266130-9	TAPPING SCREW BIND PT 3X16	8	PC.
004	643852-2	TERMINAL	1	PC.
005	419041-9	F/R CHANGE LEVER	1	PC.
006	650652-3	SWITCH TG553FSB-1B	1	PC.
007	652045-0	+PAN HEAD SCREW M3.5X5	2	PC.
008	424375-7	BUMPER	1	PC.
009	452439-7	HAMMER CASE COVER	1	PC.
010	140171-2	HAMMER CASE COMPLETE	1	PC.
011	261116-8	NYLON WASHER 18	1	PC.
013	322045-1	CLIP	1	PC.
014	323675-1	PIN 4	1	PC.
015	324704-3	ANVIL	1	PC.
016	324703-5	HAMMER	1	PC.
017	216001-0	STEEL BALL 3.5	24	PC.
018	267175-0	FLAT WASHER 24	1	PC.
019	234337-5	COMPRESSION SPRING 25	1	PC.
020	267766-7	CUP WASHER 14	1	PC.
021	216011-7	STEEL BALL 5.6	2	PC.
022	227233-4	SPUR GEAR 22	2	PC.
023	324220-5	SPINDLE	1	PC.
024	256253-1	PIN 5	2	PC.
025	267212-0	FLAT WASHER 12	1	PC.
026	227150-8	INTERNAL GEAR 51	1	PC.
027	213507-9	O RING 40	1	PC.
028	158145-9	BEARING BOX COMPLETE	1	PC.
029	638495-3	YORK UNIT	1	PC.
030	619253-6	ARMATURE	1	PC.
031	CB448	CARBON BRUSH CB-448 (196855-0)	1	
032	638498-7	BRUSH HOLDER COMPLETE	1	PC.
033	263032-0	RUBBER PIN 4	2	PC.
034	418981-8	REAR COVER	1	PC.
035	266130-9	TAPPING SCREW BIND PT 3X16	2	PC.
036	631693-8	LIGHT CIRCUIT	1	PC.
037	802V69-0	CAUTION LABEL	1	
038	188243-5	HOUSING SET	1	SET
	C10 263005-3	RUBBER PIN 6	2	PC.
	D10	INC. 1		
039	346449-3	HOOK	1	PC.
040	251314-2	+ SCREW M4X12	1	PC.
041	424026-2	CUSHION	1	PC.
042	263036-2	RUBBER PIN 5	1	PC.
043	268184-2	PIN 1.5	1	PC.
C01A	875461-1	CARTON	1	
A01	***DC18RC	DC18RC FAST CHARGER	1	PC. XWT05
A02	195324-8	BATTERY BL1830 SET	2	SET XWT05
A03	142146-7	PLASTIC CASE COMPLETE	1	PC. XWT05
A04	802T31-3	XWT05 MODEL NO. LABEL	1	XWT05
A05	450128-8	BATTERY COVER	1	PC. XWT05



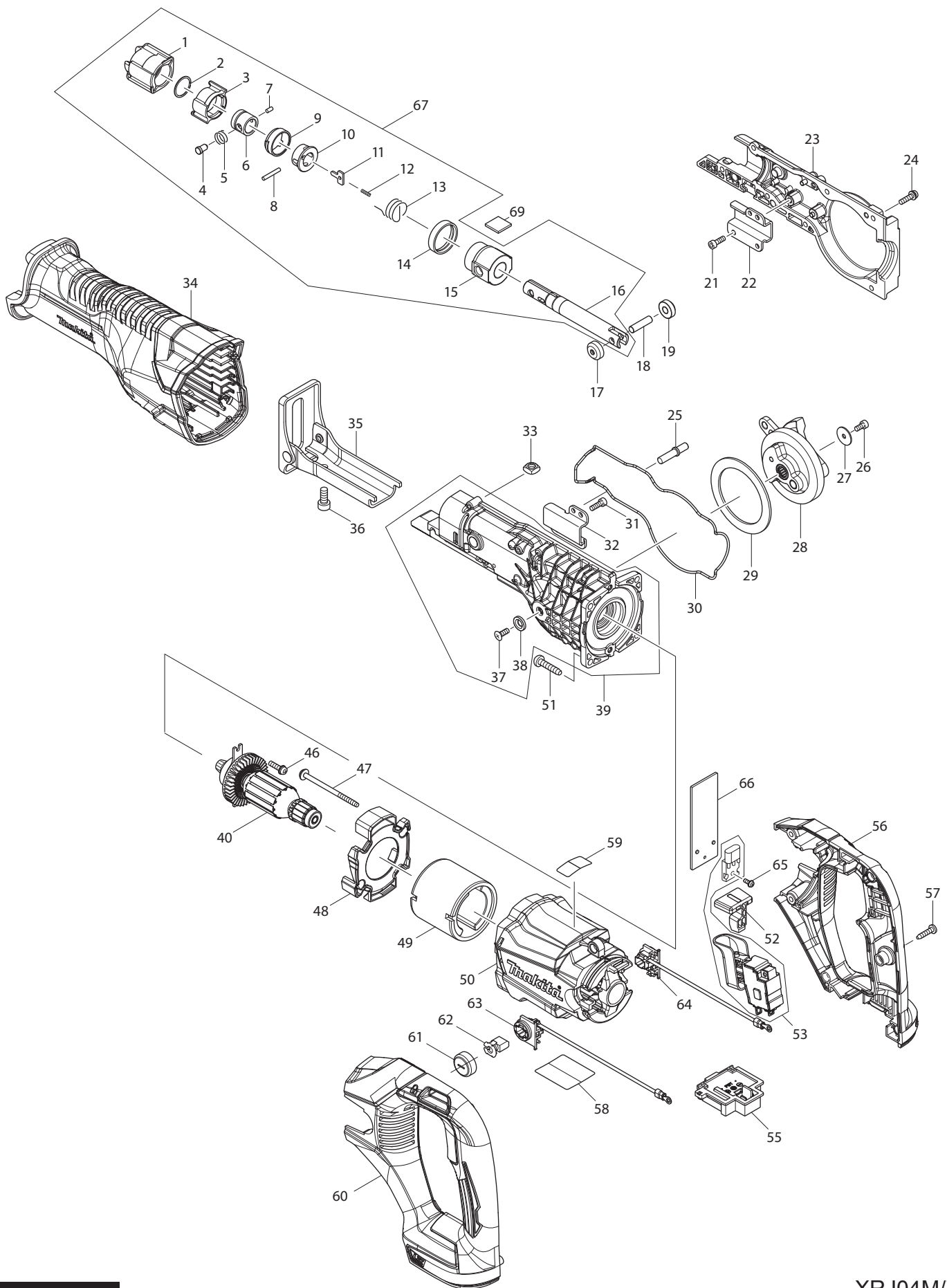
Model XWT04Z Parts List

A = Standard Equipment

O = Circuit Diagram

Item#	Part#	Description	Q'ty	Unit
001	815U84-9	XWT04 NAME PLATE	1	
002	265995-6	TAPPING SCREW 4X18	9	PC.
003	187932-9	HOUSING SET	1	
	C10 263025-7	RUBBER PIN 4	4	PC.
	C20 802J50-9	CAUTION LABEL	1	
	D10	INC. 39		
004	651572-4	SWITCH SL220SD-19	1	PC.
005	631738-2	LIGHT CIRCUIT	1	PC.
006	638503-0	SWITCH UNIT	1	PC.
007	424042-4	CUSHION RUBBER	1	PC.
008	187873-9	BATTERY HOUSING SET	1	PC.
	C10 263005-3	RUBBER PIN 6	2	PC.
	D10	INC. 41		
009	643843-3	TERMINAL	1	PC.
010	421971-2	BUMPER	1	PC.
011	266056-5	TAPPING SCREW 5X45	4	PC.
012	158076-2	HAMMER CASE COMPLETE	1	PC.
013	267268-3	FLAT WASHER 19	1	PC.
014	322045-1	CLIP	1	PC.
015	268098-5	PIN 4	1	PC.
016	324405-3	ANVIL	1	PC.
017	324697-4	HAMMER	1	PC.
018	216008-6	STEEL BALL 4	29	PC.
019	267340-1	FLAT WASHER 32	2	PC.
020	234338-3	COMPRESSION SPRING 33	1	
021	216007-8	STEEL BALL 6.4	2	PC.
022	227171-0	SPUR GEAR 23	3	PC.
023	310185-7	SPINDLE	1	PC.
024	256033-5	PIN 6	3	PC.
025	253794-8	FLAT WASHER 18	1	PC.
026	213722-5	O RING 63	1	PC.
027	227172-8	INTERNAL GEAR 53	1	PC.
028	213407-3	O RING 26	1	PC.
029	210059-1	BALL BEARING 6000DDW	1	PC.
030	241850-6	FAN 60	1	PC.
031	519199-5	ARMATURE ASS'Y 18V	1	PC.
	D10	INC. 29,30,32		
032	210025-8	BALL BEARING 627LLB	1	PC.
033	638107-8	YOKE UNIT	1	PC.
034	265995-6	TAPPING SCREW 4X18	2	PC.
035	643818-2	BRUSH HOLDER	1	PC.
036	643823-9	BRUSH HOLDER	1	PC.
037	CB441	CARBON BRUSH CB-441 (195022-4)	1	SET
038	643941-3	BRUSH HOLDER CAP	2	PC.
039	187932-9	HOUSING SET	1	
	C10 263025-7	RUBBER PIN 4	4	PC.
	C20 802J50-9	CAUTION LABEL	1	
	D10	INC. 3		
040	424042-4	CUSHION RUBBER	1	PC.
041	187873-9	BATTERY HOUSING SET	1	PC.

C10	263005-3	RUBBER PIN 6	2 PC.
D10		INC. 8	
042	251314-2	+ SCREW M4X12	1 PC.
043	345736-7	HOOK	1 PC.
044	263036-2	RUBBER PIN 5	1 PC.
045	268184-2	PIN 1.5	1 PC.
046	424026-2	CUSHION	1 PC.
D01	652008-6	PAN HEAD SCREW M3.5X7	4 PC.
D02	654037-5	INSULATED TERM. FT1.25-M3	2 PC.



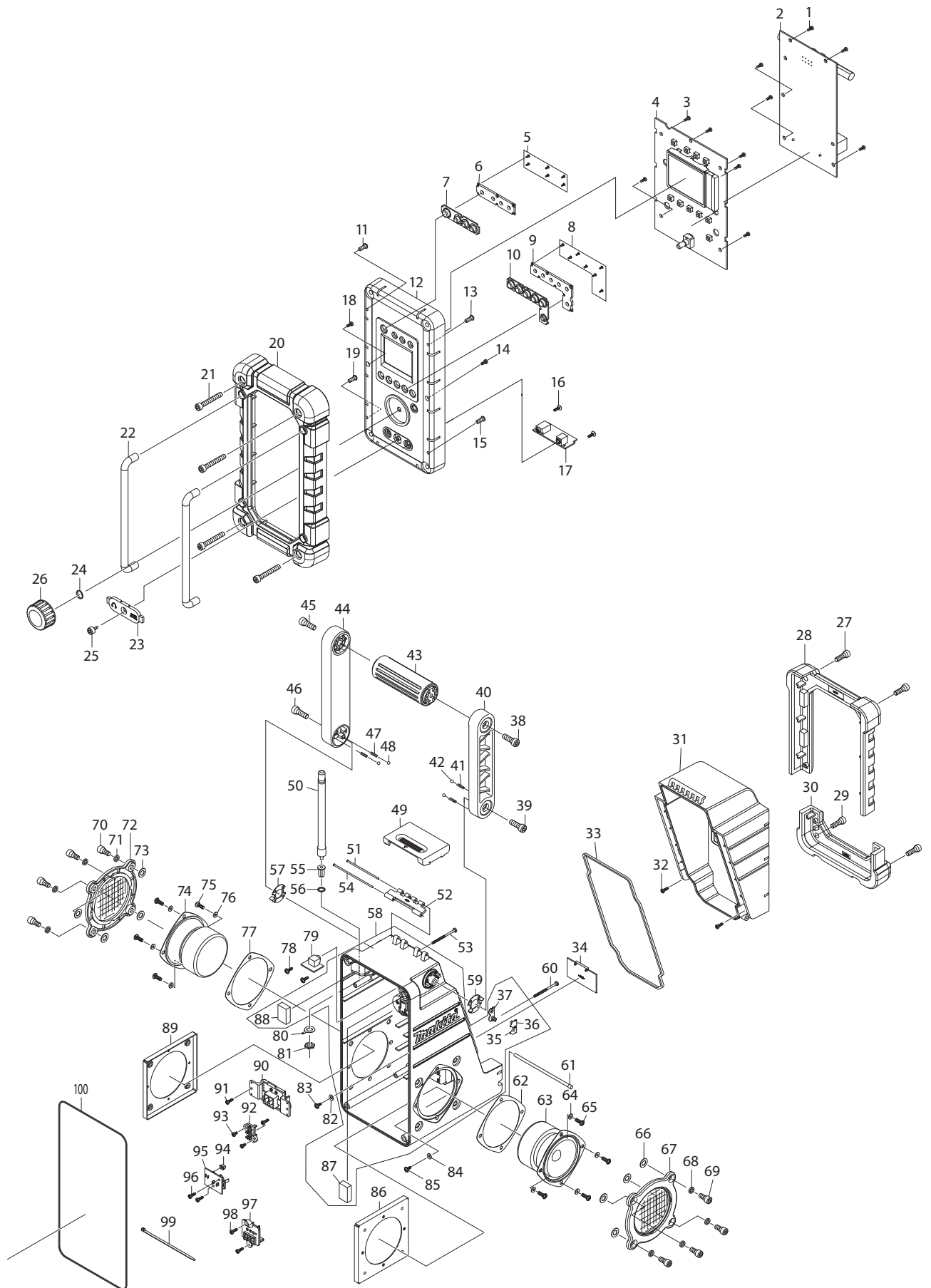
Model XRJ04M/Z Parts List

A = Standard Equipment

O = Circuit Diagram

Item#	Part#	Description	Q'ty	Unit
001	424763-8	PROTECTOR	1	
002	257952-8	RETAINING RING (EXT) 18	1	PC.
003	310662-9	DRIVING SLEEVE	1	
004	256569-4	SHOULDER PIN 5	1	
005	234381-2	COMPRESSION SPRING 6	1	
006	331720-8	GUIDE SLEEVE	1	PC.
007	268094-3	PIN 3	1	PC.
008	256158-5	PIN 3	1	PC.
009	417791-0	DRIVING SLEEVE GUIDE	1	PC.
010	418311-3	SLEEVE	1	PC.
011	345214-7	PUSH PLATE	1	PC.
012	233025-1	COMPRESSION SPRING 2	1	PC.
013	231687-9	TORSION SPRING 17	1	PC.
014	424762-0	RUBBER RING	1	
015	143365-8	SLIDER GUIDE COMPLETE	1	PC.
	C10 213151-2	OIL SEAL 14	1	PC.
	C20 213174-0	X RING 14	1	PC.
016	161376-1	SLIDER	1	
017	310663-7	ROLLER	1	
018	268341-2	PIN 6	1	
019	310663-7	ROLLER	1	
021	922117-8	HEX. SOCKET HEAD BOLT M4X12	2	PC.
022	346936-2	ROD GUIDE R	1	
023	143381-0	GEAR HOUSING R COMPLETE	1	
024	911128-8	PAN HEAD SCREW M4X16	7	PC.
025	256567-8	SHOULDER PIN 6-8	1	
026	922107-1	HEX. SOCKET HEAD BOLT M4X8	1	PC.
027	267491-0	FLAT WASHER 4	1	
028	143377-1	GEAR COMPLETE	1	
029	267490-2	FLAT WASHER 54	1	
030	424764-6	SEAL RING	1	
031	922117-8	HEX. SOCKET HEAD BOLT M4X12	2	PC.
032	346935-4	ROD GUIDE L	1	
033	252157-5	SQUARE NUT M6	1	PC.
034	424768-8	INSULATION COVER	1	
035	161375-3	SHOE	1	
036	265531-8	HEX.SOCKET HEAD BOLT M6X14	1	PC.
037	912112-6	COUNTERSUNK HEAD SCREW M4X10	1	PC.
038	253825-3	FLAT WASHER 6	1	PC.
039	123511-9	GEAR HOUSING L ASSEMBLY	1	
	D10	INC. 37,38		
040	519392-1	ARMATURE ASS'Y 18V	1	
046	911128-8	PAN HEAD SCREW M4X16	2	PC.
047	266292-3	TAPPING SCREW 4X65	2	PC.
048	456207-0	BAFFLE PLATE	1	
049	638571-3	YOKE UNIT	1	PC.
050	456206-2	MOTOR HOUSING	1	
051	266041-8	TAPPING SCREW 5X25	4	PC.
052	456208-8	LOCK OFF BUTTON	1	

053-1	650760-0	SWITCH TG573FSB-9V	1
055	644808-8	TERMINAL	1 PC.
056	183C48-6	HANDLE SET	1
	C10 263005-3	RUBBER PIN 6	2 PC.
	D10	INC. 60	
057	266326-2	TAPPING SCREW 4X18	6 PC.
058	851R03-3	XRJ04 NAME PLATE	1
059	807Y38-4	CAUTION LABEL	1
060	183C48-6	HANDLE SET	1
	C10 263005-3	RUBBER PIN 6	2 PC.
	D10	INC. 56	
061	643829-7	HOLDER CAP	2 PC.
062	CB441	CARBON BRUSH SET CB-441 (195022-4)	1 SET
063	643505-3	BRUSH HOLDER	1
064	643506-1	BRUSH HOLDER	1
065	911011-9	PAN HEAD SCREW M3X10	1 PC.
066	689204-3	HEAT SINK	1
067	123510-1	SLIDER ASSEMBLY	1 PC.
	D10	INC. 1-16	
069	424858-7	FELT 16X16	1 PC.
A01	194502-7	RECIPRO SAW BLADE SET	1 SET
A03	821620-5	PLASTIC TOOL CASE	1 (XRJ04M)
	C10 162271-8	LATCH	2 PC. (XRJ04M)
A05	450128-8	BATTERY COVER	1 PC. (XRJ04M)
A06	***DC18RC	DC18RC FAST CHARGER	1 PC. (XRJ04M)
	D10	COMPO-PARTS	
A07	BL1840B	BATTERY BL1840B SET (197268-8)	2 (XRJ04M)



Model XRM05/W Parts List

A = Standard Equipment

O = Circuit Diagram

Item#	Part#	Description	Q'ty Unit
001	SE00000325	SCREW PTB 3X8(NI)	5 PC.
002	SE00000459	CIRCUIT BOARD A ASSY 05A W02	1 PC.
003	SE00000325	SCREW PTB 3X8(NI)	6 PC.
004	SE00000461	CIRCUIT BOARD C ASSY 07C WA2	1 PC.
005	SE09090011	SCREW 1.7	6 PC.
006	SE020PC020	POWER BUTTON HOLDER	1 PC.
007	SE00000157	POWER BUTTON (GRY)	1 PC.
008	SE09090011	SCREW 1.7	7 PC.
009	SE020PC030	PRESET BUTTON HOLDER	1 PC.
010	SE00000158	PRESET BUTTON (GRY)	1 PC.
011	SE09064161	SCREW M4X16	1 PC.
012	SE00000204	FRONT CABINET ASSY	1 PC.
013	SE09064161	SCREW M4X16	1 PC.
014	SE09163102	SCREW M3X10	1 PC.
015	SE09064161	SCREW M4X16	1 PC.
016	SE00000193	SCREW 3X10	2 PC.
017	SE00000464	PCB-P DC JACK ASSY 07P WA1	1 PC.
018	SE09163102	SCREW M3X10	1 PC.
019	SE09064161	SCREW M4X16	1 PC.
020	SE00000159	FRONT BUMPER	1 PC.
021	SE00000160	SCREW PTHE6X47(CR)	4 PC.
022	SE0338PC5Z	FRONT BAR	2 PC.
023	SE00000042	JACK COVER	1 PC.
024	SE21B1110A	ROTARY KNOB RING	1 PC.
025	SE09173106	HEX SCREW M3X10	1 PC.
026	SE00000465	ROTARY KNOB BLK 3102PC0000040	1 PC.
027	SE09176166	HEX SCREW M6X16	2 PC.
028	SE00000162	BATTERY COVER BUMPER	1 PC.
029	SE09176166	HEX SCREW M6X16	2 PC.
030	SE00000165	REAR BUMPER	1 PC.
031	SE00000166	BATTERY COVER	1 PC. (XRM05 BLUE)
	SE00000167	BATTERY COVER	1 PC. (XRM05W WHITE)
032	SE00000325	SCREW PTB 3X8(NI)	2 PC.
033	SE00000168	PACKING	1 PC.
034	SE0307PC5Z	BACK UP BATTERY COVER	1 PC. (XRM05 BLUE)
	SE00000031	BACK UP BATTERY COVER (WHITE)	1 PC. (XRM05W WHITE)
035	SE00000466	BATTERY CONTACT(+) 2100RA00700	1 PC.
036	SE00000467	BATTERY CONTACT (-)2100PL00200	1 PC.
037	SE021E9030	+/- BATTERY CONTACT ASS'Y	1 PC.
038	SE00000176	SCREW PTHE6X20(CR)	1 PC.
039	SE09176166	HEX SCREW M6X16	1 PC.
040	SE00000177	HANDLE HOLDER(R)	1 PC. (XRM05 BLUE)
	SE00000178	HANDLE HOLDER(R)	1 PC. (XRM05W WHITE)
041	SE00000184	SPRING	2 PC.
042	SE09994007	STEEL BALL	2 PC.
043	SE00000179	HANDLE	1 PC.
044	SE00000180	HANDLE HOLDER (L)	1 PC. (XRM05 BLUE)
	SE00000181	HANDLE HOLDER (L)	1 PC. (XRM05W WHITE)
045	SE00000176	SCREW PTHE6X20(CR)	1 PC.
046	SE09176166	HEX SCREW M6X16	1 PC.
047	SE00000184	SPRING	2 PC.

048	SE09994007 STEEL BALL	2 PC.
049	SE00000190 BATTERY COVER LOCKER	1 PC.
050	SE00000191 ROD ANT (BLK)	1 PC.
051	SE021PC050 LOCKER FIXER PIN 62.8	1 PC.
052	SE00000067 LOCKER HINGER	1 PC.
053	SE09163452 SCREW M3X45	1 PC.
054	SE021PC040 LOCKER FIXER PIN 79.5	1 PC.
055	SE021J9032 ROD ANT HOLDER	1 PC.
056	SE024J9050 PACKING	1 PC.
057	SE00000192 HANDLE SUS-PLATE(L)	1 PC.
058	SE00000468 REAR CABINET(BLUE)ASSY 01R WA1	1 PC. (XRM05 BLUE)
	SE00000469 REAR CABINET(WHITE)ASSY	1 PC. (XRM05W WHITE)
059	SE00000187 HANDLE SUS-PLATE (R)	1 PC.
060	SE09163452 SCREW M3X45	1 PC.
061	SE021PC030 BATTERY COVER LOCKER	1 PC.
062	SE024J9030 PACKING	1 PC.
063	SE01620771 SPEAKER	1 PC.
064	SE024J9070 PACKING	4 PC.
065	SE09090023 SCREW M4X12	4 PC.
066	SE024J9090 PACKING	4 PC.
067	SE00000205 SPEAKER NET ASSY	1 PC.
068	SE024J9040 PACKING	4 PC.
069	SE9076146A HEX SCREW M6X14	4 PC.
070	SE9076146A HEX SCREW M6X14	4 PC.
071	SE024J9040 PACKING	4 PC.
072	SE00000205 SPEAKER NET ASSY	1 PC.
073	SE024J9090 PACKING	4 PC.
074	SE01620771 SPEAKER	1 PC.
075	SE09090023 SCREW M4X12	4 PC.
076	SE024J9070 PACKING	4 PC.
077	SE024J9030 PACKING	1 PC.
078	SE00000193 SCREW 3X10	2 PC.
079	SE00000470 PCB F AUX-2 ASS'Y 07FY301	1 PC.
080	SE021PC100 ROD ANT TERMINAL	1 PC.
081	SE021P0020 NUT	1 PC.
082	SE00000199 SILICON RUBBER WASHER	2 PC.
083	SE00000193 SCREW 3X10	2 PC.
084	SE00000199 SILICON RUBBER WASHER	2 PC.
085	SE00000193 SCREW 3X10	1 PC.
086	SE021J9010 SPEAKER HOLDER	1 PC.
087	SE023PC020 EVA 25X18X5.5	1 PC.
088	SE023PC020 EVA 25X18X5.5	1 PC.
089	SE021J9010 SPEAKER HOLDER	1 PC.
090	SE00000416 TERMINAL E (B)	1 PC.
091	SE00000325 SCREW PTB 3X8(NI)	2 PC.
092	SE00000200 TERMINAL C	1 PC.
093	SE00000325 SCREW PTB 3X8(NI)	2 PC.
094	SE00000430 SWITCH KNOB	1 PC.
095	SE00000472 PCB BATTERY SWITCH ASSY07E WA1	1 PC.
096	SE00000325 SCREW PTB 3X8(NI)	2 PC.
097	SE00000473 TERMINAL 10.8V ASSY 011 WA1	1 PC.
098	SE00000325 SCREW PTB 3X8(NI)	2 PC.
099	SE00000195 W/TIES 100MM	1 PC.
100	SE024PC040 PACKING	1 PC.
A01	SE00000457 AC ADAPTER	1 PC.