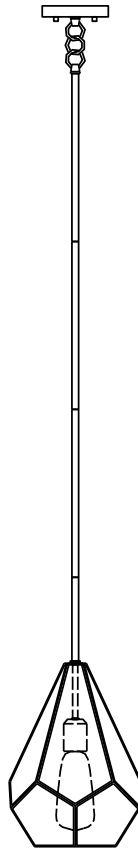


**HOME
DECORATORS
COLLECTION**

Item # 1003981855
1003986849
Model # HDP98758
HDP98758-DISP

USE AND CARE GUIDE

1 LIGHT GEOMETRIC MINI PENDANT



Questions, problems, missing parts? Before returning to the store,
call Home Decorators Collection Customer Service
8 a.m. – 7 p.m., EST, Monday – Friday, 9 a.m. – 6 p.m., EST, Saturday

1-800-986-3460

HOMEDEPOT.COM/HOMEDECORATORS

THANK YOU

We appreciate the trust and confidence you have placed in Home Decorators Collection through the purchase of this pendant. We strive to continually create quality products designed to enhance your home. Visit us online to see our full line of products available for your home improvement needs. Thank you for choosing Home Decorators Collection!

Table of Contents

Table of Contents.....	2	Tools required.....	3
Safety Information.....	2	Hardware Included.....	3
Warranty.....	2	Package Contents.....	4
3-Year Limited Warranty.....	2	Assembly.....	5
What is Covered.....	2	Installation.....	5, 6
What is Not Covered.....	2	Care and Cleaning.....	7
Pre-installation.....	3	Troubleshooting.....	7
Planning Installation.....	3		

Safety Information

- Consult a qualified electrician with any electrical questions you may have.



DANGER: Inspect the wire insulation for any cuts, abrasions, or exposed copper that may have occurred during shipping. If there is a defect in the wire, do not continue the assembly process. Please call our Customer Service Team at 1-800-986-3460.

Warning: Changes or modifications to this unit not expressly approved by the party responsible for compliance could void the user's authority to operate the equipment.

NOTE: This equipment has been tested and found to comply with the limits for a Class B digital device, pursuant to Part 15 of the FCC Rules. These limits are designed to provide reasonable protection against harmful interference in a residential installation. This equipment generates, uses and can radiate radio frequency energy and, if not installed and used in accordance with the instructions, may cause harmful interference to radio communications. However, there is no guarantee that interference will not occur in a particular installation. If this equipment does cause harmful interference to radio or television reception, which can be determined by turning the equipment off and on, the user is encouraged to try to correct the interference by one or more of the following measures:

- Reorient or relocate the receiving antenna.
- Increase the separation between the equipment and receiver.
- Connect the equipment into an outlet on a circuit different from that to which the receiver is connected.
- Consult the dealer or an experienced radio/TV technician for help.

Warranty

3-YEAR LIMITED WARRANTY

WHAT IS COVERED

The manufacturer warrants this lighting fixture to be free from defects in the materials and workmanship for a period of three (3) years from date of purchase. This warranty applies only to the original consumer purchaser and only to products used in normal use. If this product is found to be defective, the manufacturer's only obligation, and your exclusive remedy, is the repair or replacement of the product at the manufacturer's discretion, provided that the product has not been damaged through misuse, abuse, accident, modifications, alterations, neglect or mishandling. This warranty shall not apply to any product that is found to have been improperly installed, assembled, or used in any way not in accordance with the instructions supplied with the product. This warranty shall not apply to a failure of the product as a result of an accident, misuse, abuse, negligence, alteration, faulty installation, or any other failure not relating to faulty material or workmanship.

WHAT IS NOT COVERED

This warranty shall not apply to the finish on any portion of the product due to weathering, as this is considered normal wear. The manufacturer does not warrant and specifically disclaims any warranty, whether expressed or implied, other than the warranty contained herein. The manufacturer specifically disclaims any liability and shall not be liable for any consequential or incidental loss or damage, including but not limited to, any labor or expense costs involved in the replacement or repair of the product.

Contact the Customer Service Team at 1-800-986-3460 or visit www.HomeDepot.com/HomeDecorators.


Pre-installation

PLANNING INSTALLATION

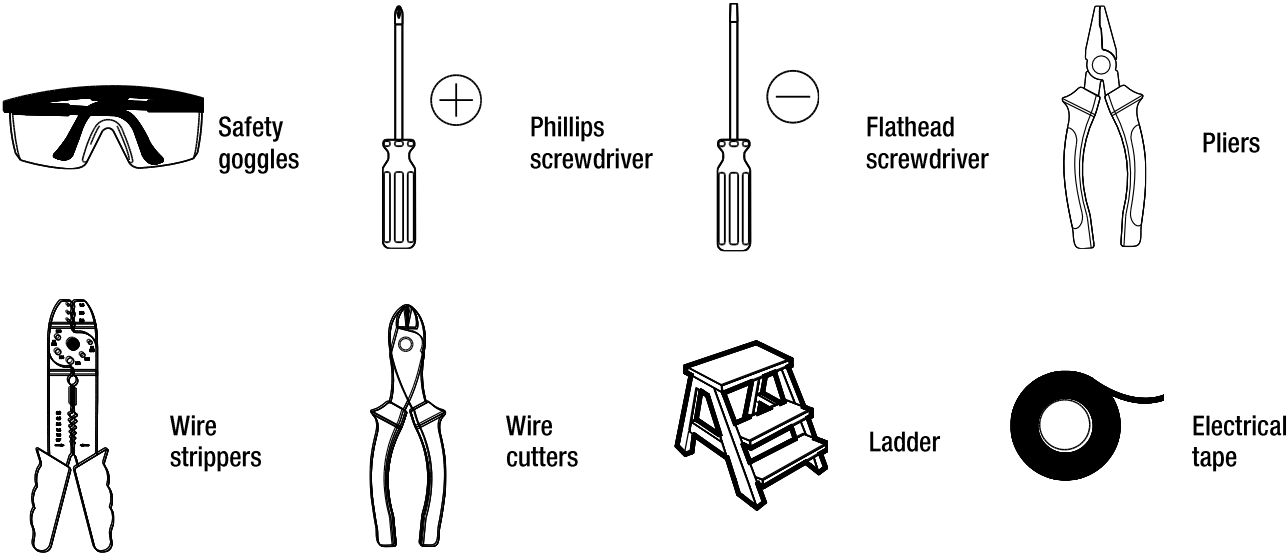
Read all instructions before assembly.

To avoid damaging this product, assemble it on a soft, non-abrasive surface such as carpet or cardboard. Inspect each part for defects that may have occurred during shipping.


Keep your receipt and these instructions for proof of purchase.

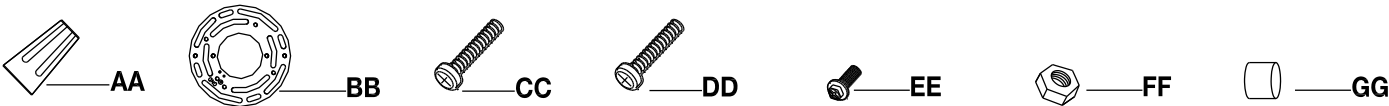
 **NOTE:** This pendant requires the use of one 120V, 60HZ, 6-watt max. medium-base LED Edison bulb (included). Do not exceed the recommended wattage.

TOOLS REQUIRED



HARDWARE INCLUDED

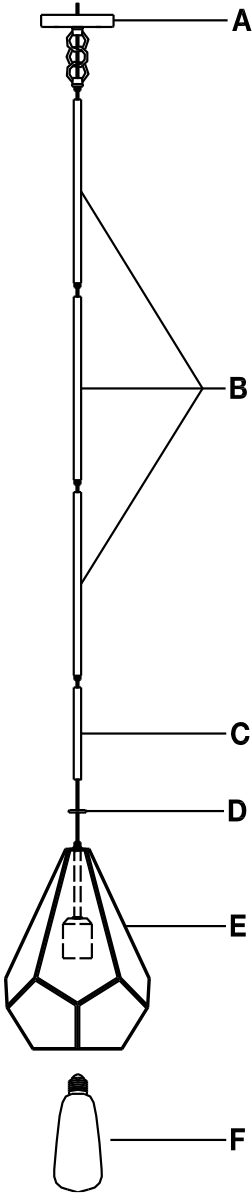
 **NOTE:** Hardware not shown to actual size.



Part	Description	Quantity
AA	Wire nut	3
BB	Mounting plate	1
CC	Outlet box screw	2
DD	Mounting screw	2
EE	Ground screw	1
FF	Small nut	2
GG	Finial	2

Pre-installation (continued)

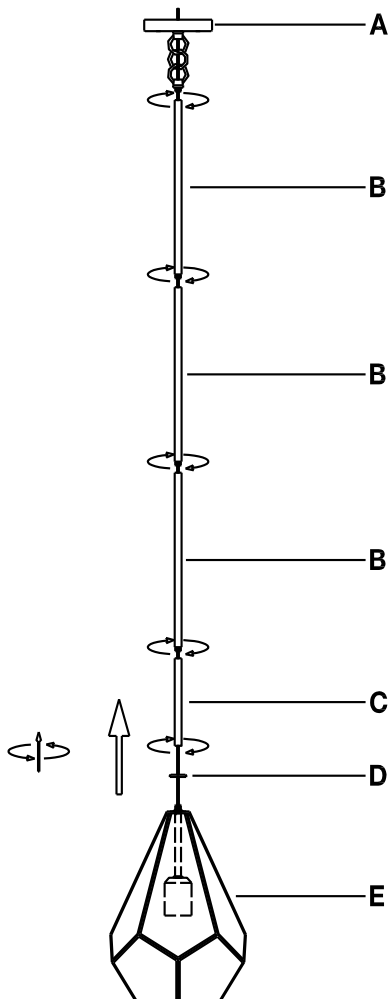
PACKAGE CONTENTS



Part	Description	Quantity
A	Canopy	1
B	12-inch tube	3
C	6-inch tube	1
D	Cap	1
E	Fixture body	1
F	LED Edison bulb	1

1 Assembling the fixture body

- Carefully unpack the fixture, lay out all parts on a clean surface.
- Feed the fixture body (E) wires up through the cap (D), 6-inch tube (C) and then the 12-inch tubes (B). The number of tubes you use depends on the length you desire for the installed light fixture. Remove the nipple from the tube if needed.
- Slide the cap (D) on top of the fixture body (E).
- Attach the desired number of tubes (B and C) to the fixture body by twisting the tubes in a clockwise direction.
- Attach the loop of the canopy (A) to the end of the tube assembly by twisting in a clockwise direction.

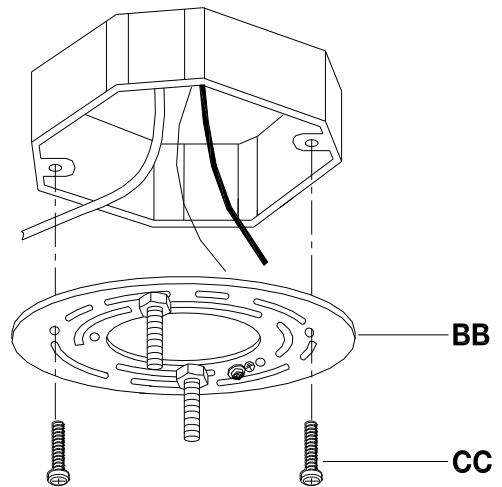


1 Installing the mounting plate



DANGER: Ensure the power is off at the main fuse box prior to beginning installation.

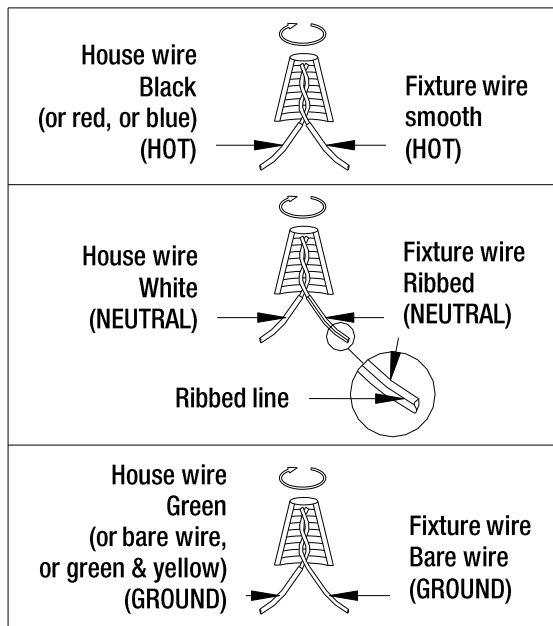
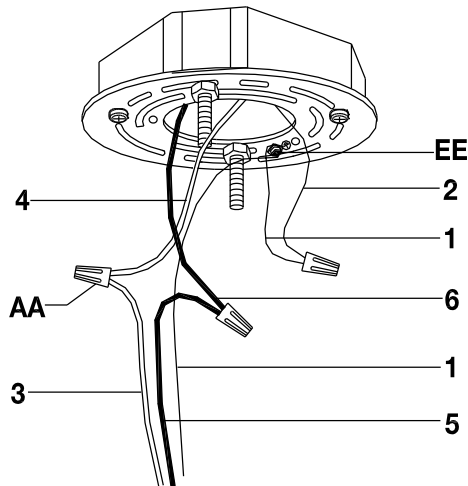
- Turn off the switch at the wall.
- Turn the power off at the main fuse box.
- Attach the mounting plate (BB) to the outlet box using the outlet box screws (CC).



Installation (continued)

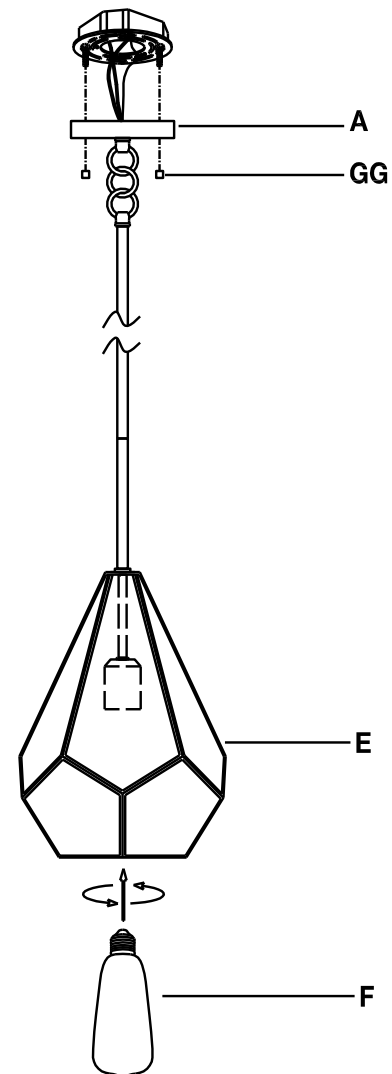
2 Connecting the wires

- Install the fixture bare silver wire (1) under the ground screw (EE) on the mounting plate (BB).
- Connect the fixture bare silver wire (1) to the green (or bare, or green & yellow) supply ground wire (2) in the outlet box using a wire nut (AA).
- Connect the ribbed fixture wire (3) to the white (or ribbed) supply wire (4) in the outlet box using a wire nut (AA).
- Connect the smooth fixture wire (5) to the black (or red, or blue) supply wire (6) in the outlet box using a wire nut (AA).



3 Installing the fixture and bulb

- Push all excess wires into the outlet box.
- Raise the fixture to the ceiling and secure the canopy (A) in place with finials (GG).
- Prior to installing the bulb, inspect socket for a silica packet. If a packet is present, remove and throw away. Do not expose to children and pets.
- Install the 120V, 60HZ, 6-watt max. medium-base LED Edison bulb (F) (included) in the socket of the light fixture.



Care and Cleaning

- Clean the light fixture with a soft, dry cloth. Do not use any cleaners with chemicals, solvents, or harsh abrasives.

Troubleshooting

Problem	Possible Cause	Solution
The bulb will not light.	□ The bulb is burned out.	□ Replace the light bulb.
	□ The power is off.	□ Ensure that the power supply is turned on.
	□ There is a faulty wire connection.	□ Check the wiring.
	□ The circuit breaker is off.	□ Ensure that the circuit breaker is set in the on position.
The fuse blows or a circuit breaker trips when the light is turned on.	□ There is an exposed wire.	□ Discontinue use of the light fixture.
	□ There are too many items on one circuit.	□ Contact a qualified electrician or call the Customer Service Team at 1-800-986-3460. □ Unplug other items on the circuit.

HOME DECORATORS COLLECTION

Questions, problems, missing parts? Before returning to the store,
call Home Decorators Collection Customer Service
8 a.m. – 7 p.m., EST, Monday – Friday, 9 a.m. – 6 p.m., EST, Saturday

1-800-986-3460

HOMEDEPOT.COM/HOMEDECORATORS

Retain this manual for future use.