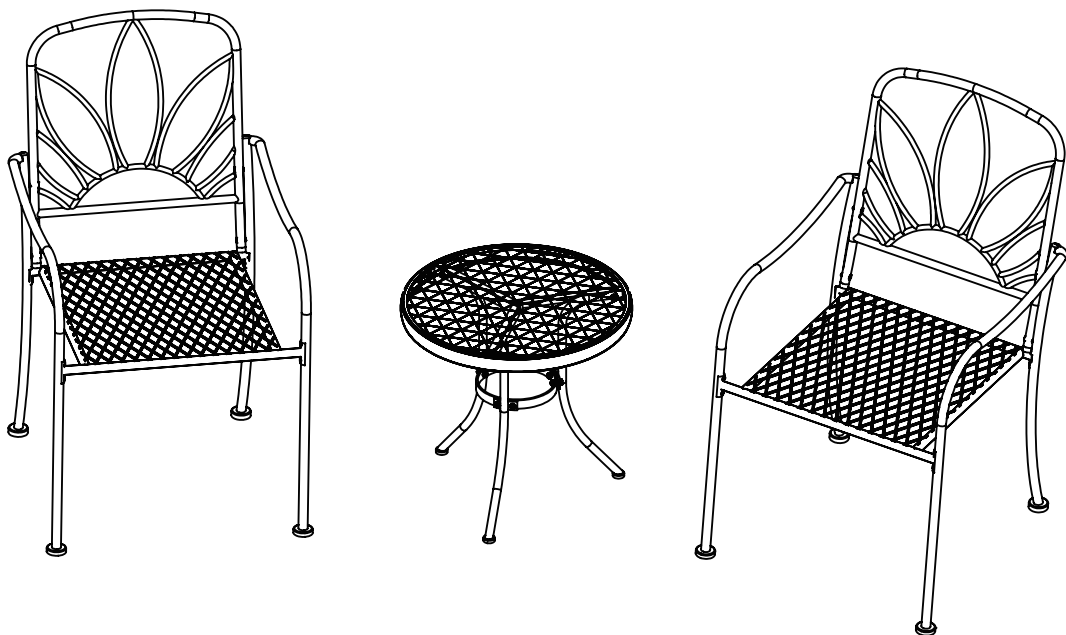


**Bright & Fun 3 piece bistro set**  
**ASSEMBLY INSTRUCTIONS**  
**S-K-140-1N/3&S-K-140-1N/3B**



Questions, problems, missing parts with this product? Do not return to your retailer, please call our customer service department 9:00 a.m. to 5:00 p.m. Eastern Standard Time Monday through Friday Phone # 1-800-457-4652 or contact us at [www.numarkcustomerservice.com](http://www.numarkcustomerservice.com)



**Care and Maintenance**

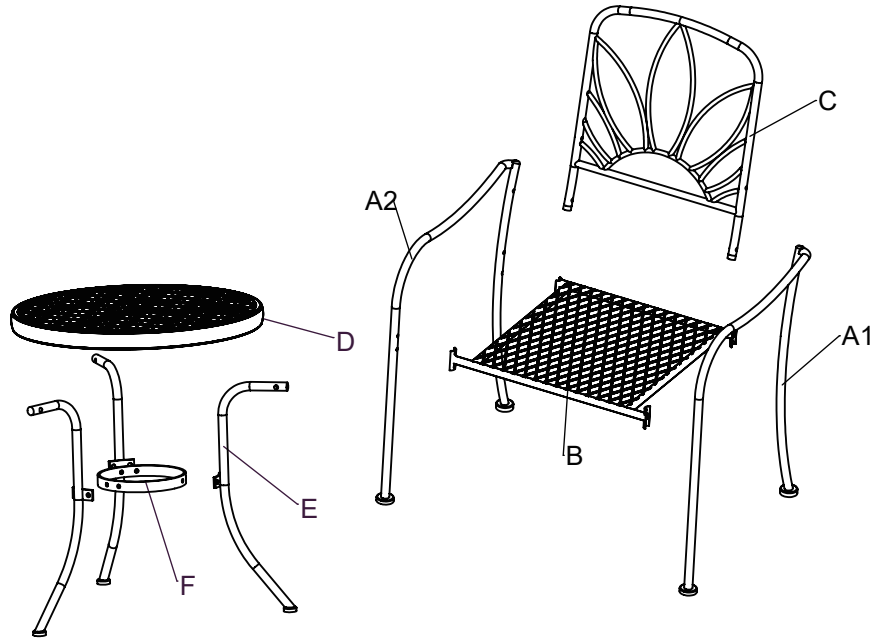
Though its powder-coated finish is rust-resistant, steel is prone to rust over time with exposure to the elements. In case of rust or scratches, lightly sand the affected area and apply touch-up paint. To maintain the finish periodically apply wax with a soft cloth.

Wash frames with a mild solution of soap and water; rinse thoroughly. Do not use bleach or solvents.

Do not store anything on tabletop. Use furniture covers or store indoors during cold or inclement weather.

# Parts

A1	left arm	2
A2	right arm	2
B	seat	2
C	back	2
D	table top	1
E	leg	3
F	center ring	1



## Hardware

Ga x 12 +1spare

Short sunk screw



Gf x 9

Nut



Gb x 8 +1spare

Long sunk screw



Gg x 1

Allen wrench



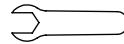
Gc x 6

Short bolt



Gh x 1

Hex wrench



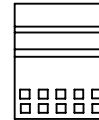
Gd x 3

Long bolt



Gi x 1

assembly instructions sheet



Ge x 18

Metal washer



## Assembly instruction

**1**

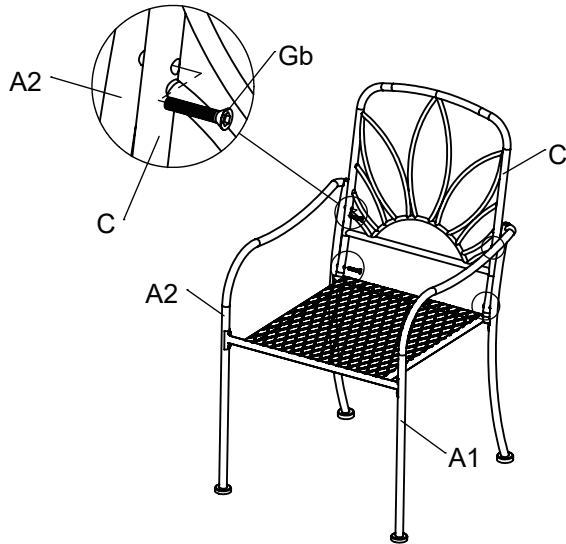
Ga x 6  
Short sunk screw

Do not tighten completely.  
Repeat procedure for the other side.

## Assembly instruction

---

2



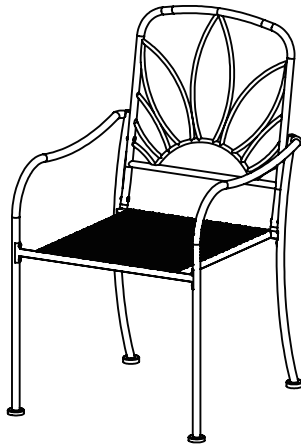
Gb x 4

Long sunk screw



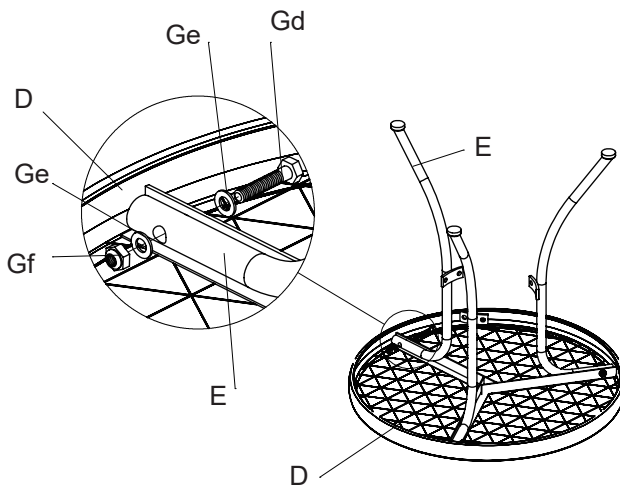
Do not tighten completely.  
Repeat procedure for the other holes.

3



Securely tighten all bolts and screws.  
Repeat procedure for the other chair.

4



Gd x 3

Long bolt



Ge x 6

Metal washer



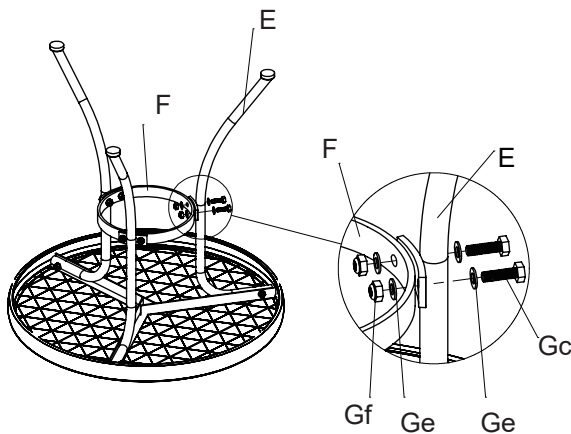
Gf x 3

Nut



Do not tighten completely.  
Repeat procedure for the other two legs.

5



Gc x 6

Short bolt



Ge x 12

Metal washer



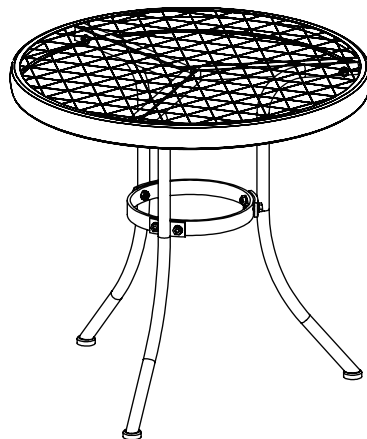
Gf x 6

Nut



Do not tighten completely.  
Repeat procedure for the other three legs.

6



Turn over the side table, securely tighten all bolts and nuts by using Hex wrench (Gh) and Allen wrench (Gg).  
Now your bistro set is ready for use!