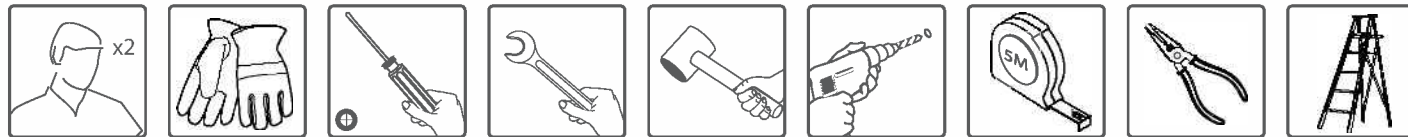
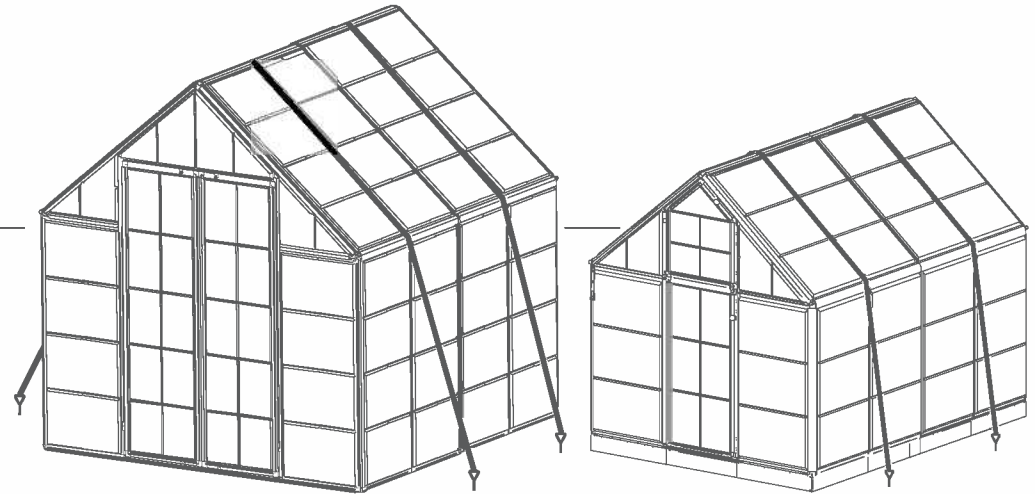




Assembly Instructions
Snap&Grow - Anchoring Kit



After Sale Service

Email: customer.service@palram.com

USA 877-627-8476
Canada 1 800-866-5749

England 01302-380775
Germany 0180-522-8778

France 0169-791-094
International +972 4-848-6942

www.palramapplications.com

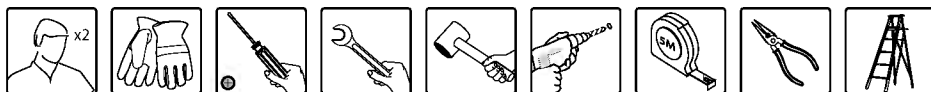
Before you start

- ✓ It is highly recommended to be assisted by a second person in some steps.
- ✓ Sort the parts and check according to the contents parts list.
- ✓ The product must be positioned and fixed on a leveled surface.
- ✓ Make sure that screws and anchors suit the surface type.
- ✓ This product is suitable for all Snap&Grow greenhouses up to 8 feet long.
- ✓ Please be safe during assembly.

You will need

To assembly this product

(these items not supplied)



Safety

- ✓ This product should be mounted to the ground as shown in these instructions in order to ensure greenhouse's stability and appropriate wind resistance.
- ✓ Some parts may have sharp edges. Please be careful when handling components.
- ✓ Always wear gloves, eye protection, and long sleeves when assembling or performing any maintenance on your product.
- ✓ If using a stepladder or power tools please ensure that you follow the manufacturer's safety advice.
- ✓ DO not lean the stepladder against the greenhouse.
- ✓ Do not stand on the greenhouse roof/panels
- ✓ To prevent injuries, do not allow children to play under the greenhouse during assembly.



Please read these instructions carefully before you start to assemble this product.
Please carry out the steps in the order set out in these instructions.
Keep these instructions in a safe place for future reference.

Care and Maintenance

- ① Periodically check the product to assure that it remains stable.
- ② Keep roof clean of snow.

During Assembly



During assembly you will encounter the information icon, please refer to the relevant assembly step for additional comments and assistance.

Do not cut the steel cable unless a final decision on the mounting location has been made.

Step 3 : According to the ground surface type, follow the appropriate mounting procedure.

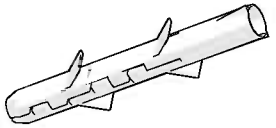
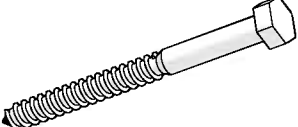
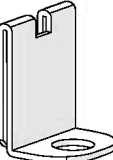
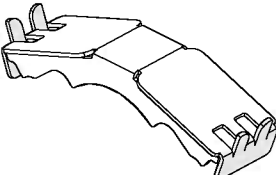
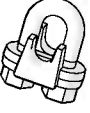
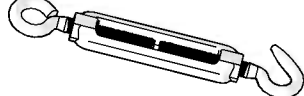
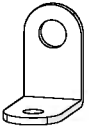
Option 1 : for hard surfaces (concrete or wood)


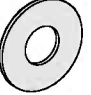
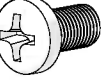
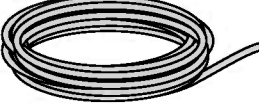
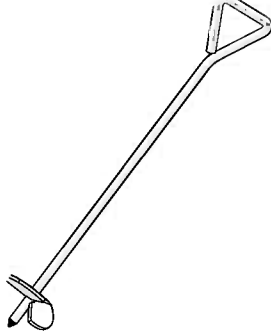
Option 2 : soft/ground installation.

Step 5 : After the product has been installed, fasten the steel cable by turning part #7332

Tighten all screws when completing assembly.

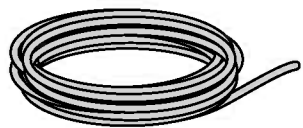
Contents

Item		Qty.
4010		4 (+1)
4000		4 (+1)
7409		4
7410		2
7333		4
7332		2
7331		4

Item		Qty.
414		2 (+1)
433		6 (+1)
7283		2 (+1)
7327		2
7336		4

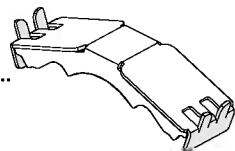
1

7327.....

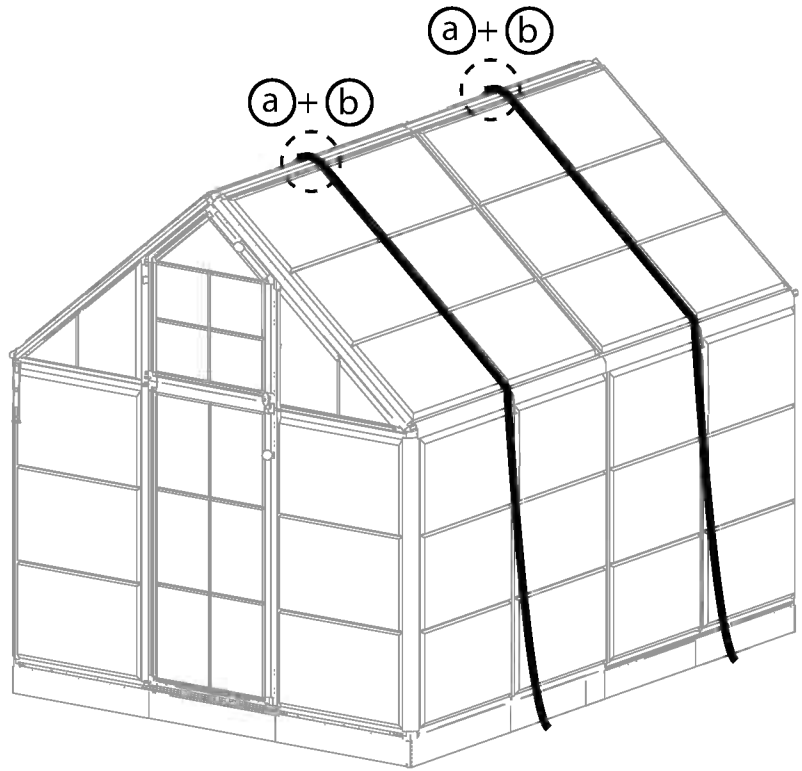


..... 2

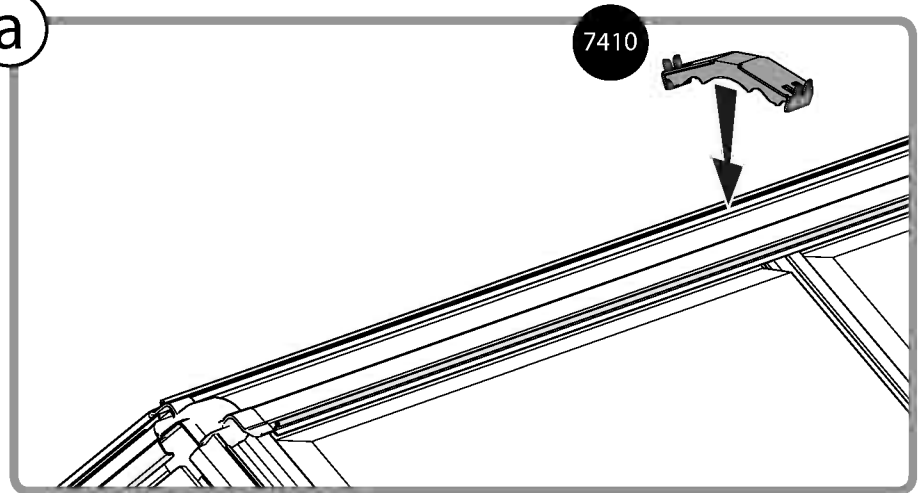
7410.....



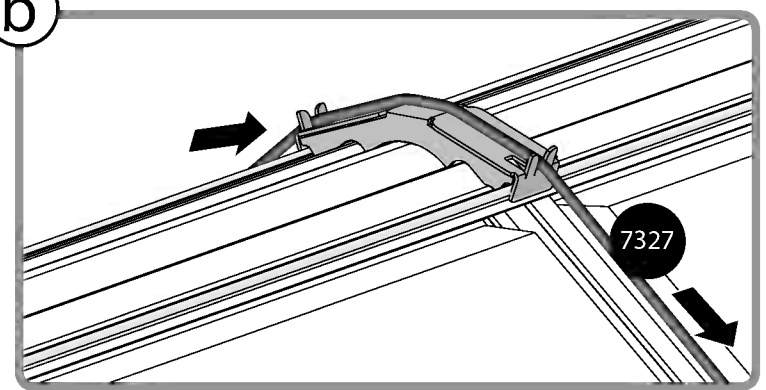
..... 2

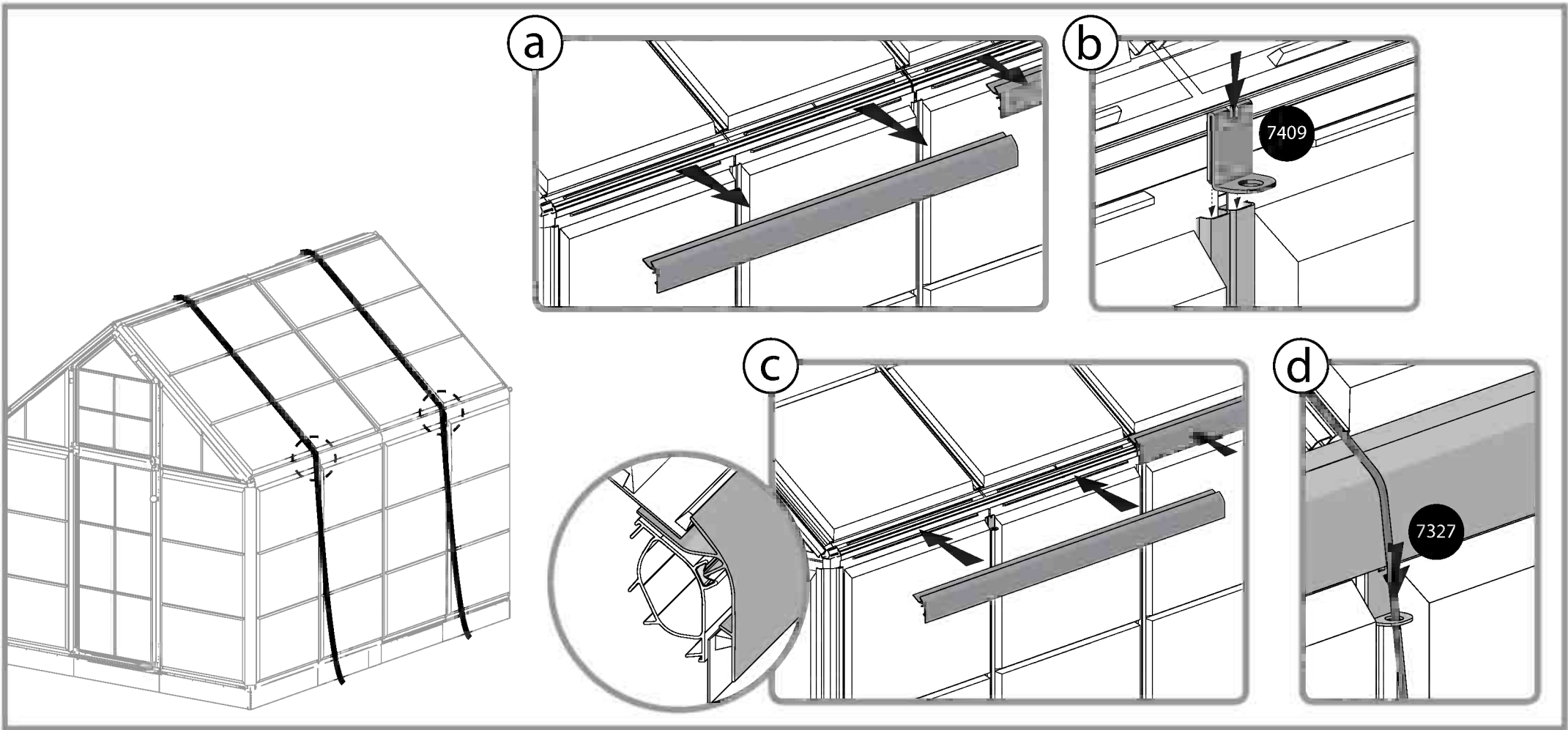
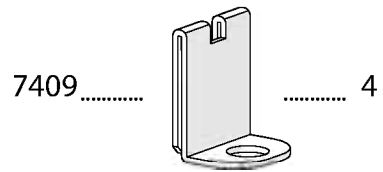


a

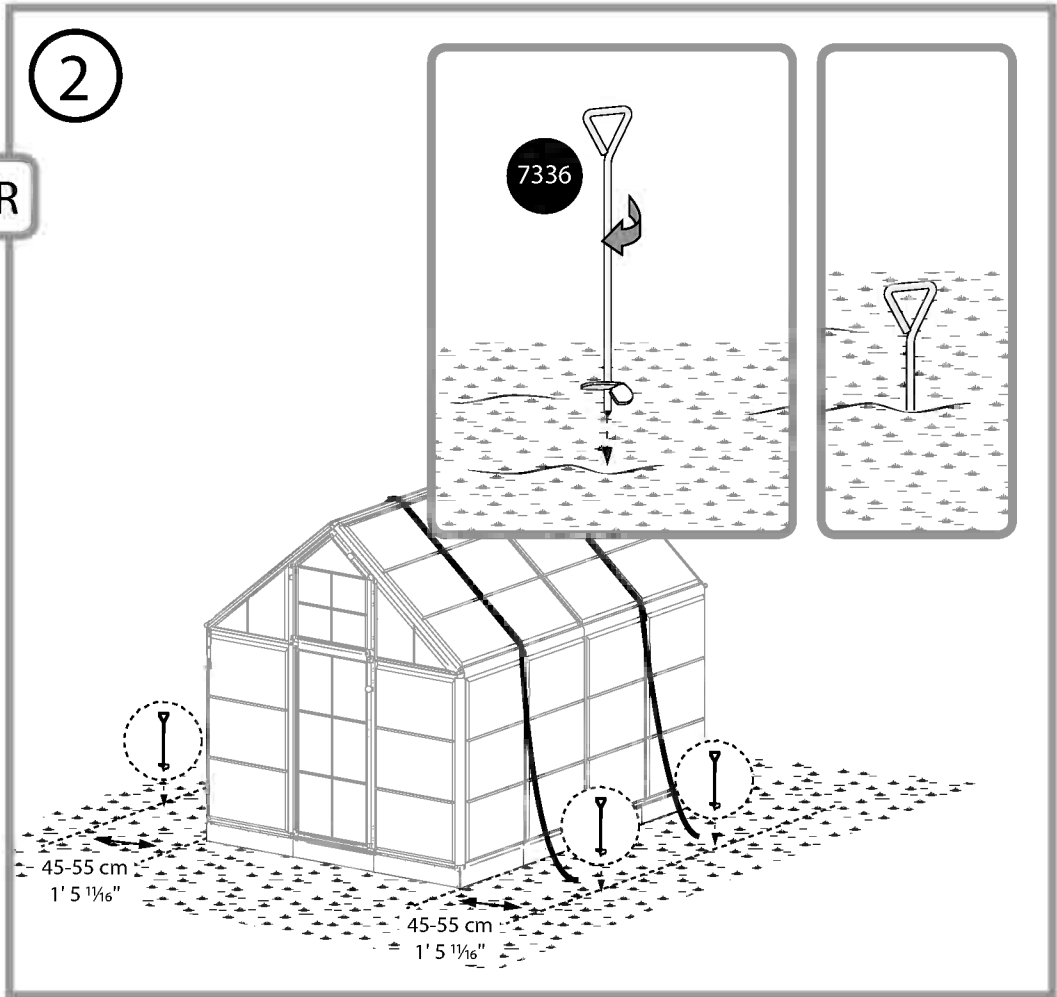
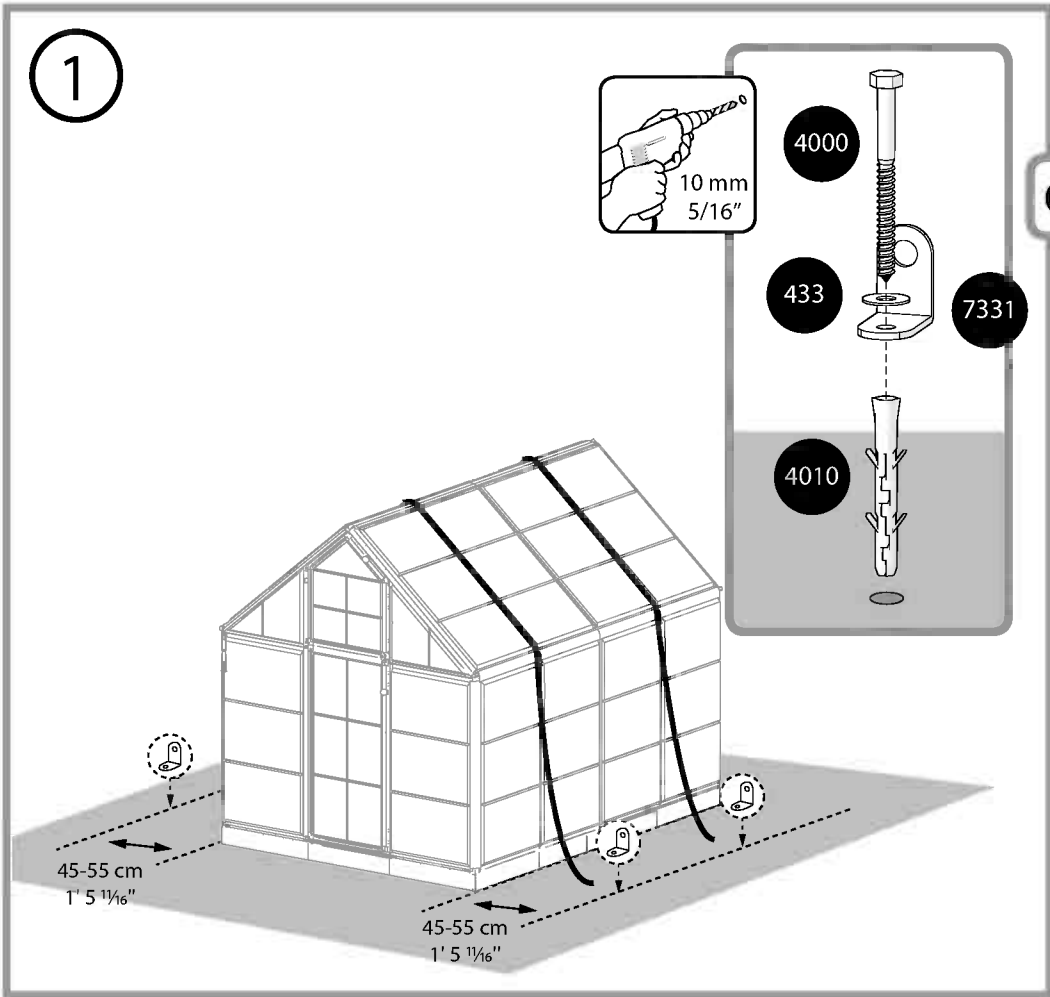
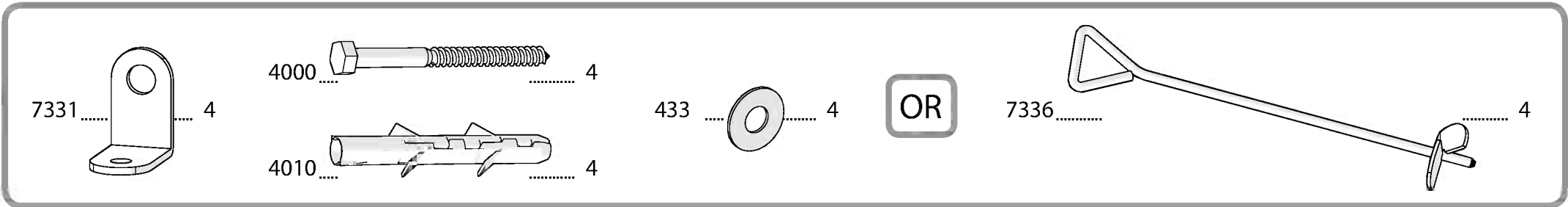


b



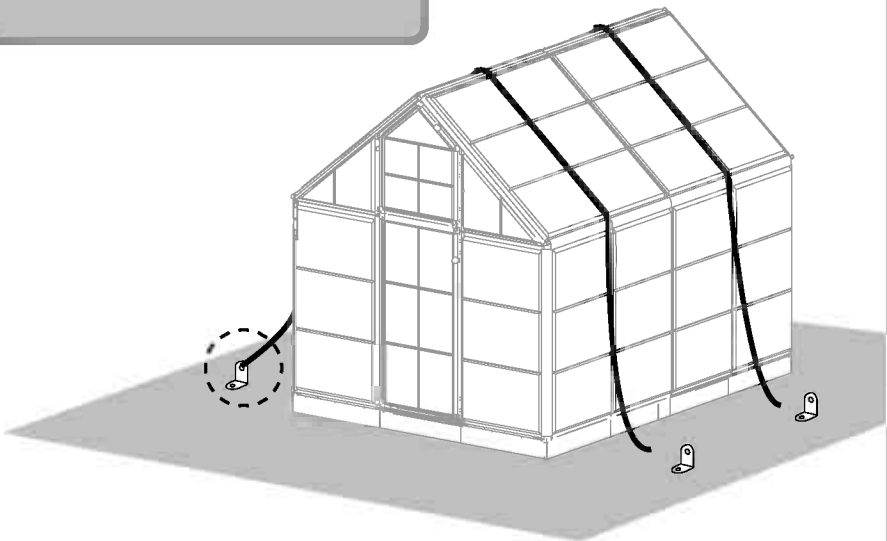
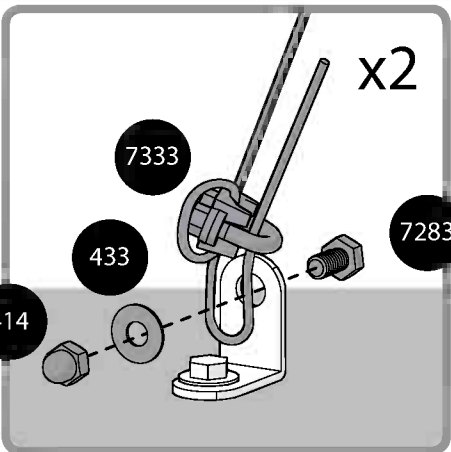


3 **i**



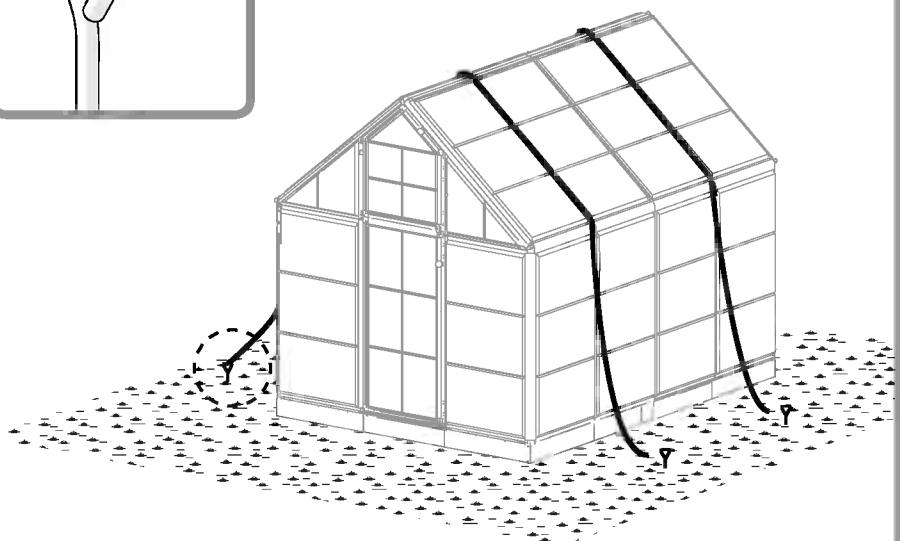
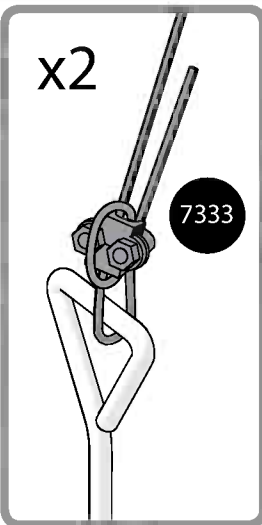
- 7333..... 2 7283..... 2 414 2 433 2

1

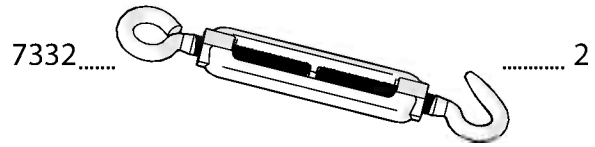
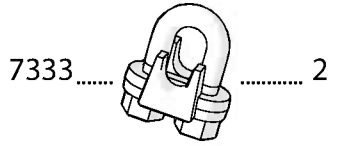


2

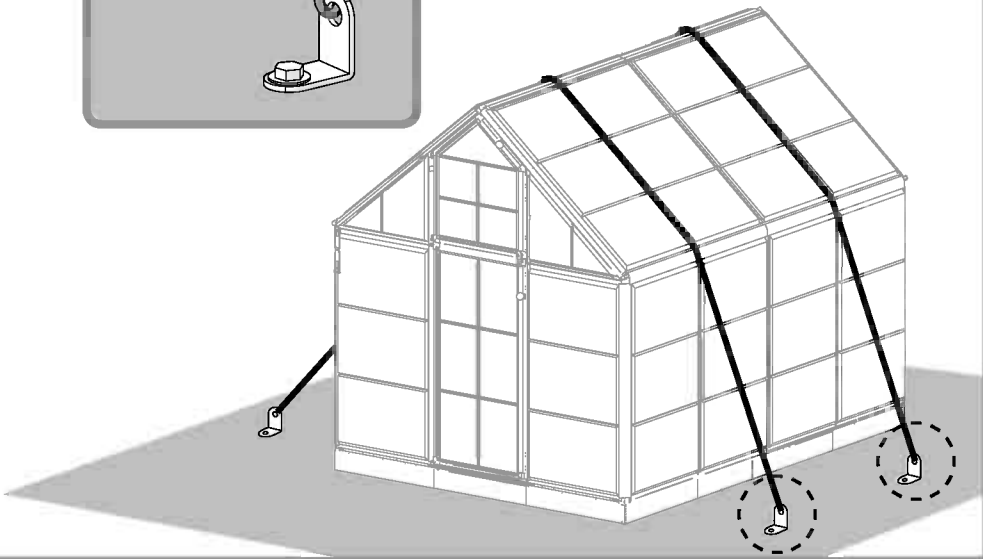
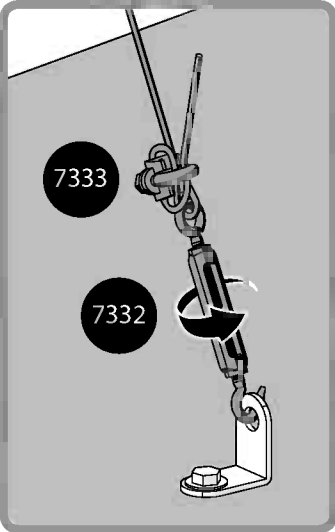
OR



5 **i**



1



2

OR

