



Purefresh™
Elongated Toilet Seat
K-5588

Features

- Polypropylene plastic
- Elongated closed-front
- Contoured seat for user comfort
- Deodorizing System
- Dual LED Nightlight
- Battery operated (two D batteries required)
- Easy-to-replace accessories

Recommended Accessories

- K-7729-NA Garden Waterfall Scent Pack
- K-7731-NA Soft and Fresh Laundry Scent Pack
- K-7766-NA Avocado Spa Scent Pack
- K-7774-NA Carbon Filter



Codes/Standards



IAPMO/ANSI Z124.5

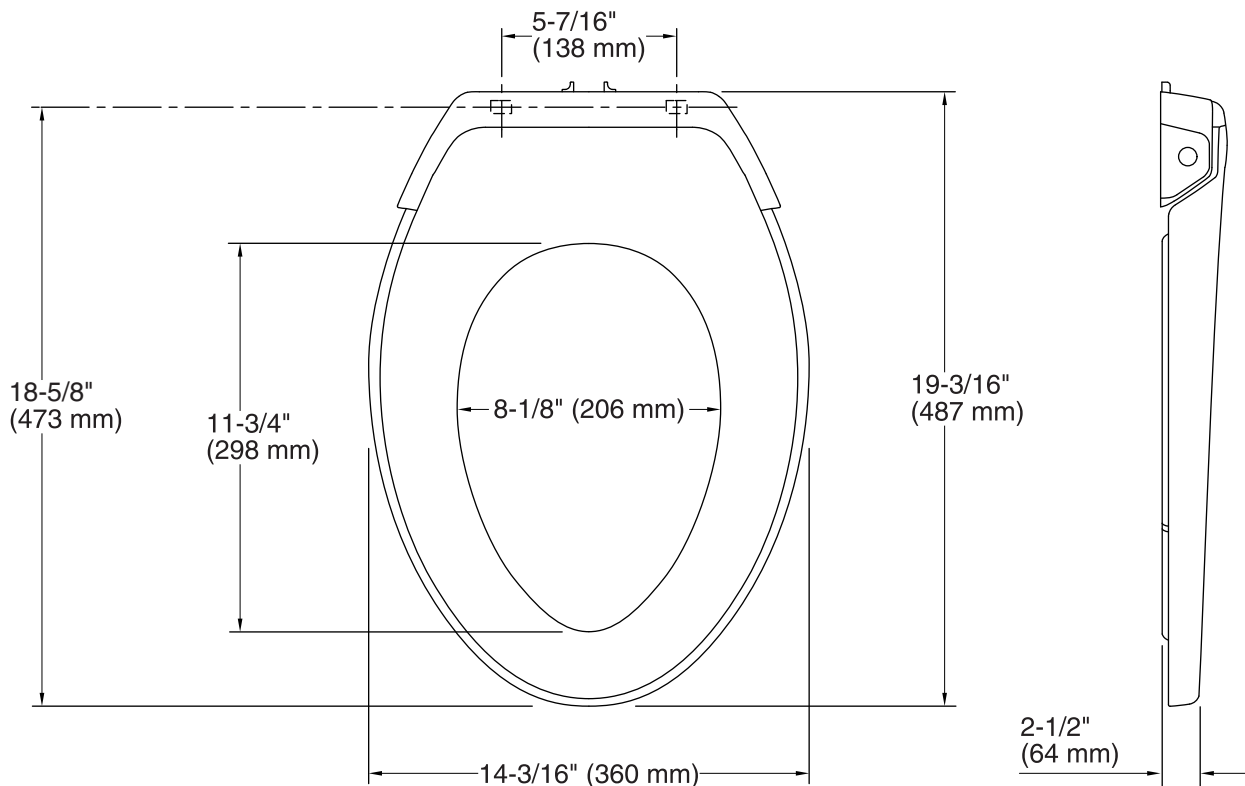
KOHLER® One-Year Limited Warranty

See website for detailed warranty information.

Available Color/Finishes

Color tiles intended for reference only.

Color	Code	Description
	0	White
	96	Biscuit



Technical Information

All product dimensions are nominal.

- Seat shape type: Elongated
Seat front type: Closed front
Seat hinge type: Quick-Attach®, Quiet-Close™, Quick-Release™
Seat-mounting holes: 5-7/16" (137 mm)

Notes

Install this product according to the installation guide.

Requires two D-cell batteries, not included.