

Decorative 3" Round In-Ground Mailbox Post (Model 7507)

Thank you for purchasing this premium mailbox post. If you have any questions about how to assemble or install this product, or if you need any replacement parts, please call us directly at (800) 464-7491 or contact us at support@architecturalmailboxes.com.

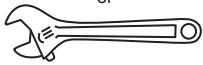
Assembly Instructions

Tools

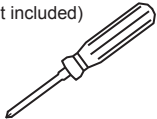
Two Crescent or Open End Wrenches (not included)



- or -



Phillips head screwdriver (not included)



Hardware


To attach the plate to the post:

 x 4, medium hex bolts

 x 8, medium washers


 x 4, medium hex nuts


To attach the mailbox to the top plate:


 x 4, large hex bolts (used for holes on top of plate)

 x 8, large washers

 x 4, large hex nuts

 x 4, long pan head screws (used for holes on the side of plate)

 x 4, small hex nuts

 x 4, spacers (not used for all configurations)

To attach the post cover to the post:

 x 4, short pan head screws



x 4, self-adhesive rubber pads

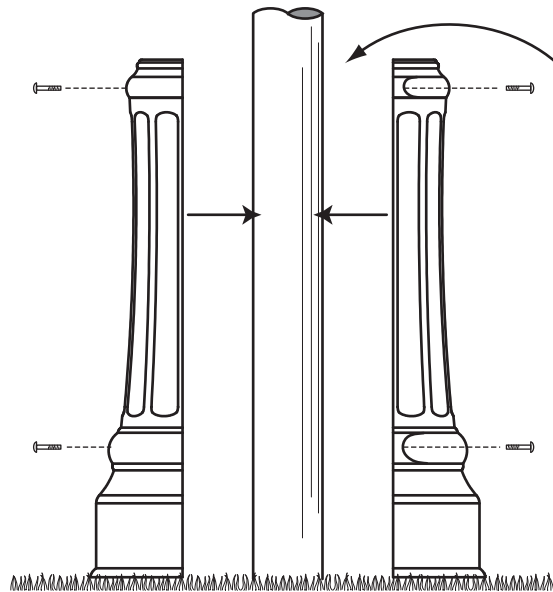
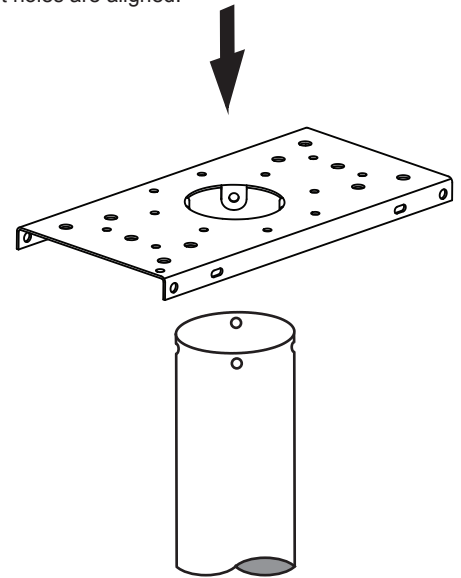
1 Slide the Top Plate onto the Post end until the bolt holes are aligned.

2 Attach the Top Plate to the Post using the 4 medium hex bolts, 8 medium washers and 4 medium hex nuts.

3 Attach the Decorative Post Cover to the post as shown using the 4 short pan head screws. Make sure to partially screw in all screws before tightening them to help align the two halves of the post cover. DO NOT twist or move the cover on the post after it is tightened - this may scratch the post.

This step can be performed before or after the mailbox is attached to the top of the post.

The Decorative Post Cover rests against the ground and does not require any further attachment to the post or any other part.



Optional: If desired, attach the self-adhesive rubber pads to the cover or to the post where the two parts meet to prevent rattling or rubbing.

4 The method for installing the mailbox onto the post and the post into the ground depends on the type of mailbox being used. Refer to the instructions included with your mailbox for the remainder of the installation.

If your mailbox has holes in the floor, use the 4 large hex bolts, 8 large washers and 4 large hex nuts to attach the mailbox to the top of the plate.

If your mailbox has holes along its sides, use the 4 long pan head screws and 4 small hex nuts to attach the mailbox to the side of the plate. For wide mailboxes, you may want to use the 4 spacers included.

