

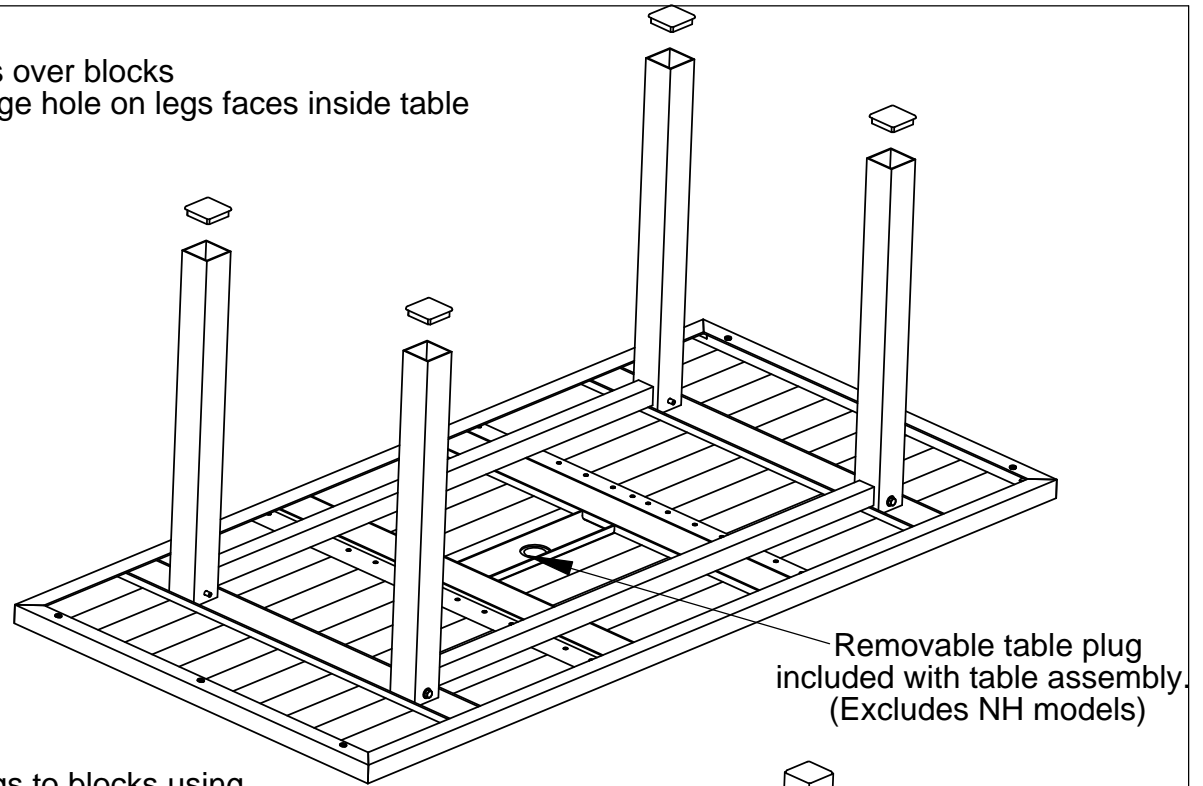
Model: AT3672, AT3672 NH

- (1) Table top with slats
- (2) Leg Frames
- (1) Hardware Pack

TOOLS NEEDED

- (2) 1/2" Sockets or wrenches

Step 1
Slide legs over blocks
Note: Large hole on legs faces inside table



Step 2
Attach legs to blocks using hardware configuration shown below

Qty.	Description
4	5/16-18 X 3 HEX CAP SCREW
4	5/16-18 NYLOCK NUT
8	5/16 X 3/4 OD FLAT WASHER

