

Item #1000018768,
639347, 639348

Model #HD14216



USE AND CARE GUIDE

PEMBREY 64 in. SQUARE DINING TABLE



Questions, problems, missing parts? Before returning to the store,
call Hampton Bay Customer Service
8:00 a.m. - 6:00 p.m., EST, Monday-Friday

1-855-HD-HAMPTON

HAMPTONBAY.COM

THANK YOU

We appreciate the trust and confidence you have placed in Hampton Bay through the purchase of this table. We strive to continually create quality products designed to enhance your home. Visit us online to see our full line of products available for your home improvement needs. Thank you for choosing Hampton Bay!

Table of Contents

Table of Contents	2	Pre-Assembly.....	3
Safety Information.....	2	Planning Assembly.....	3
Warranty.....	2	Hardware Included.....	3
3 Year Frame		Package Contents	4
Limited Warranty.....	2	Assembly.....	5
What Is Covered.....	2		
What Is Not Covered.....	2		
Care Instructions.....	2		

Safety Information



DANGER: Please keep children out of the assembly area before assembly.



CAUTION: Use the table on flat ground only.



WARNING: Do not sit or stand on the table.



IMPORTANT: Please check the tightness of the bolts at least every 90 days.



WARNING: Do not put heavy objects on the table.



NOTE: Level the table with glides at the bottom of each leg.

Warranty

3 YEAR FRAME LIMITED WARRANTY

WHAT IS COVERED

We warrant the frame to be free of manufacturing defects to the original purchaser for three years.

WHAT IS NOT COVERED

It remains the customer's responsibility for freight and packaging charges to and from our service center. This warranty does not cover commercial use, hardware, acts of nature, fire, freezing and abusive use. In addition, purchased parts are not covered under this warranty. We reserve the right to make substitutions with similar merchandise, if the model in question is no longer in production.

Care Instructions

Before using, wipe with a clean, dry cloth. Do not use bleach or solvents. Treat the frame with liquid wax for maximum protection against UV light and salty, damp air. When not in use, store furniture in a cool, dry place. If your set includes cushions or mesh fabric, they may be cleaned by hand with a mild solution of soap and water. Rinse cushions thoroughly and allow to drip dry. Do not machine wash or tumble dry, as cushions may shrink. Do not use bleach or solvents on fabrics. When cleaning the tabletop make sure to use a soft, clean cloth that does not bleed color.

You may contact our customer service department with any questions by phone at 1-855-HD-HAMPTON or visit www.hamptonbay.com.

Pre-Assembly

PLANNING ASSEMBLY

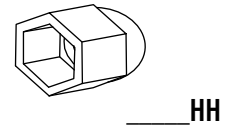
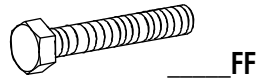
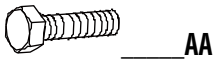
It will take two people about 15 minutes to complete the assembly process.

Assemble this product on a blanket or towel or other soft, non-abrasive surface to avoid scratching the finish.

HARDWARE INCLUDED



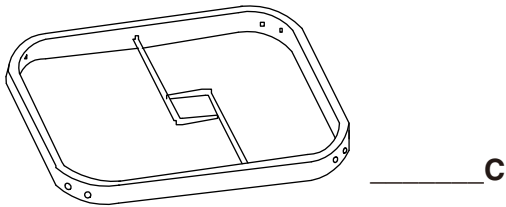
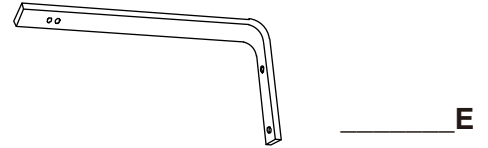
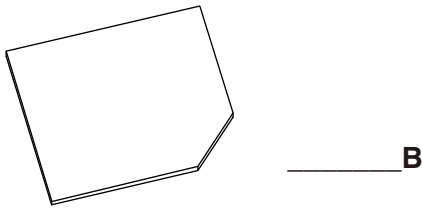
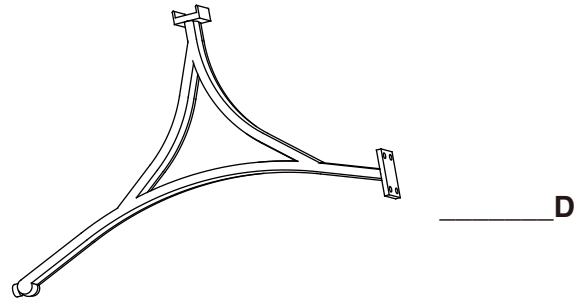
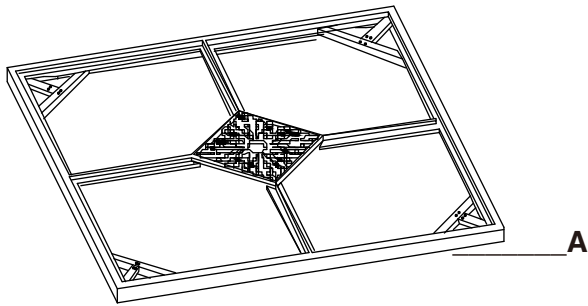
NOTE: Hardware not shown to actual size.



Part	Description	Quantity
AA	Bolt (M6 x 15 mm)	16
BB	Bolt (M6 x 25 mm)	16
CC	Metal Washer (M6)	40
DD	Plastic Bolt Cap	40
EE	Hex Wrench	2
FF	Bolt (M6 x 40 mm)	8
GG	Nut	8
HH	Plastic Nut Cap	8

Pre-Assembly (continued)

PACKAGE CONTENTS



Part	Description	Quantity
A	Table Top Rim	1
B	Ceramic Tile	4
C	Leg Connector Bracket	1
D	Table Leg	4
E	Leg Support Bar	4

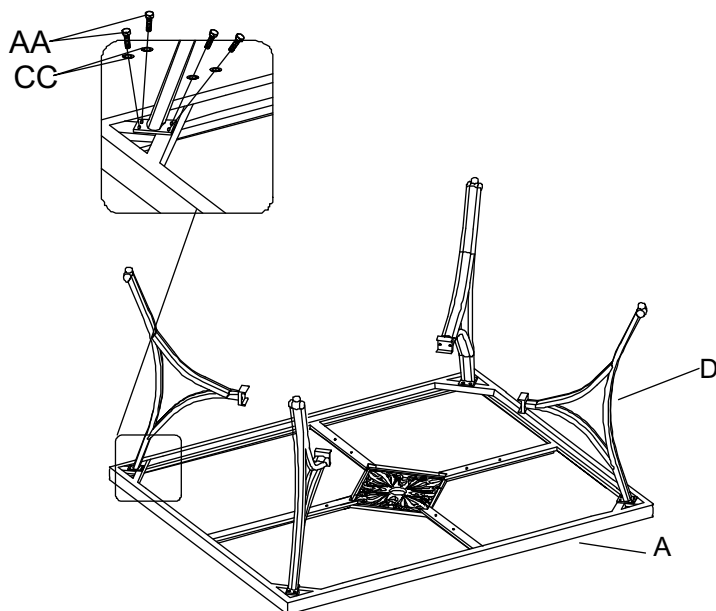
Assembly

1 Attaching the legs to the table top rim

- With the assistance of another person, place the table top rim (A) upside down so the pre-drilled corner holes are visible. Align and attach each of the four table legs (D) in the corners of the table top rim (A), by inserting bolts (AA) with metal washers (CC) through the pre-drilled holes. Loosely tighten with the hex wrench (EE).



IMPORTANT: Do not tighten completely until assembly is completed.

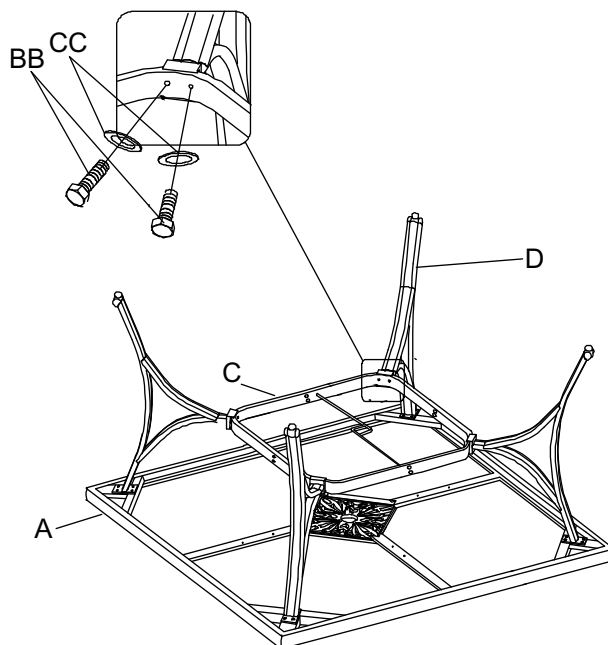


2 Attaching the leg connector bracket to the legs

- Attach the leg connector bracket (C) to each of the table legs (D) by inserting bolts (BB) with metal washers (CC) into the pre-drilled holes, using the hex wrench (EE).



IMPORTANT: Each of the leg bolts should be attached and initially tightened only a few revolutions. Then tighten further, one bolt at a time, alternating between the four legs. Do NOT fully tighten one leg before you attach the other legs.



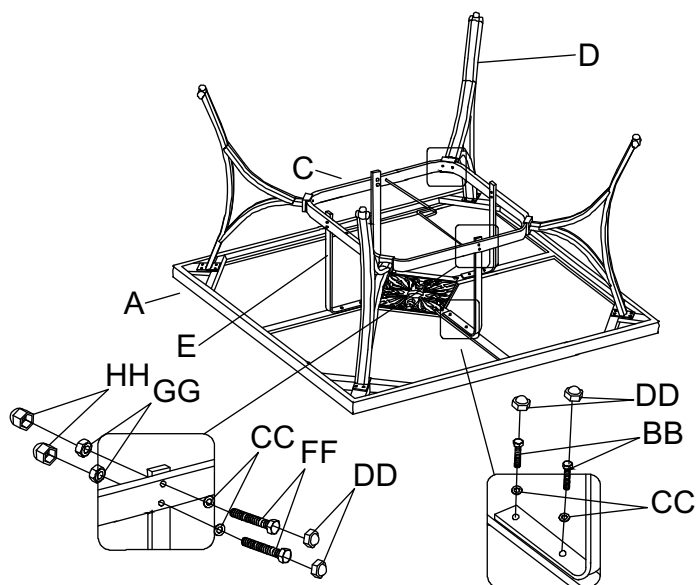
Assembly (continued)

3 Attaching the leg support bar to the table top rim and the leg connector bracket

- Attach the leg support bar (E) to the table top rim (A) by inserting bolt (BB) with metal washer (CC) into the pre-drilled holes.
- Attach the leg support bar (E) to the leg connector bracket (C) by inserting bolt (FF) in order of bolt (FF), metal washer (CC), leg connector bracket (C), support bar (E), nut (GG).

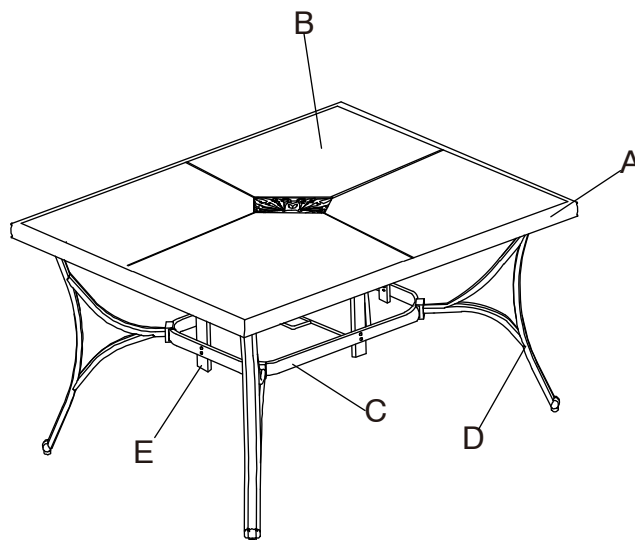


IMPORTANT: Do not fully tighten the leg support bar before you attach the other support bars.



4 Attaching the bolt/nut caps and putting the ceramic tiles onto the table frame

- Tighten all the bolts using the hex wrench (EE). Cover them with the plastic bolt/nut caps (DD)/(HH).
- With assistance, turn the table in the upright position. Carefully place the four individual ceramic tiles onto the table frame.





**Questions, problems, missing parts? Before returning to the store,
call Hampton Bay Customer Service
8:00 a.m. - 6:00 p.m., EST, Monday-Friday**

1-855-HD-HAMPTON

HAMPTONBAY.COM

Retain this manual for future use.