

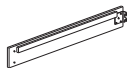


















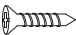
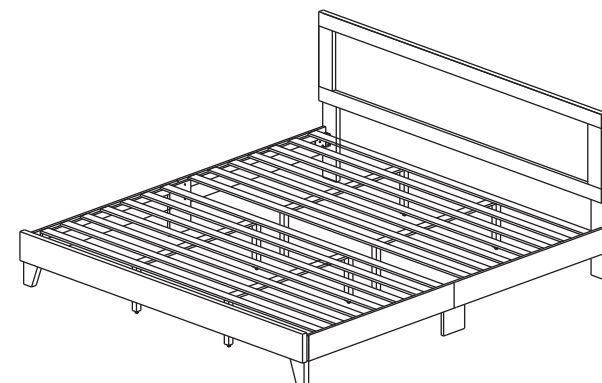


# ASSEMBLY INSTRUCTIONS

<b>A</b>		Headboard	1 pc.
<b>B</b>		Footboard	1 pc.
<b>C</b>		Side Rail A - Head	1 pc.
<b>D</b>		Side Rail A - Foot	1 pc.
<b>E</b>		Side Rail B - Head	1 pc.
<b>F</b>		Side Rail B - Foot	1 pc.
<b>G</b>		Footboard Leg A	1 pc.
<b>H</b>		Footboard Leg B	1 pc.
<b>I</b>		Side Rail Support Legs	2 pcs.
<b>J</b>		Headboard Leg (L)	1 pc.
<b>K</b>		Headboard Leg (R)	1 pc.
<b>L</b>		Headboard Strut	1 pc.
<b>M</b>		Center Supports	4 pcs.

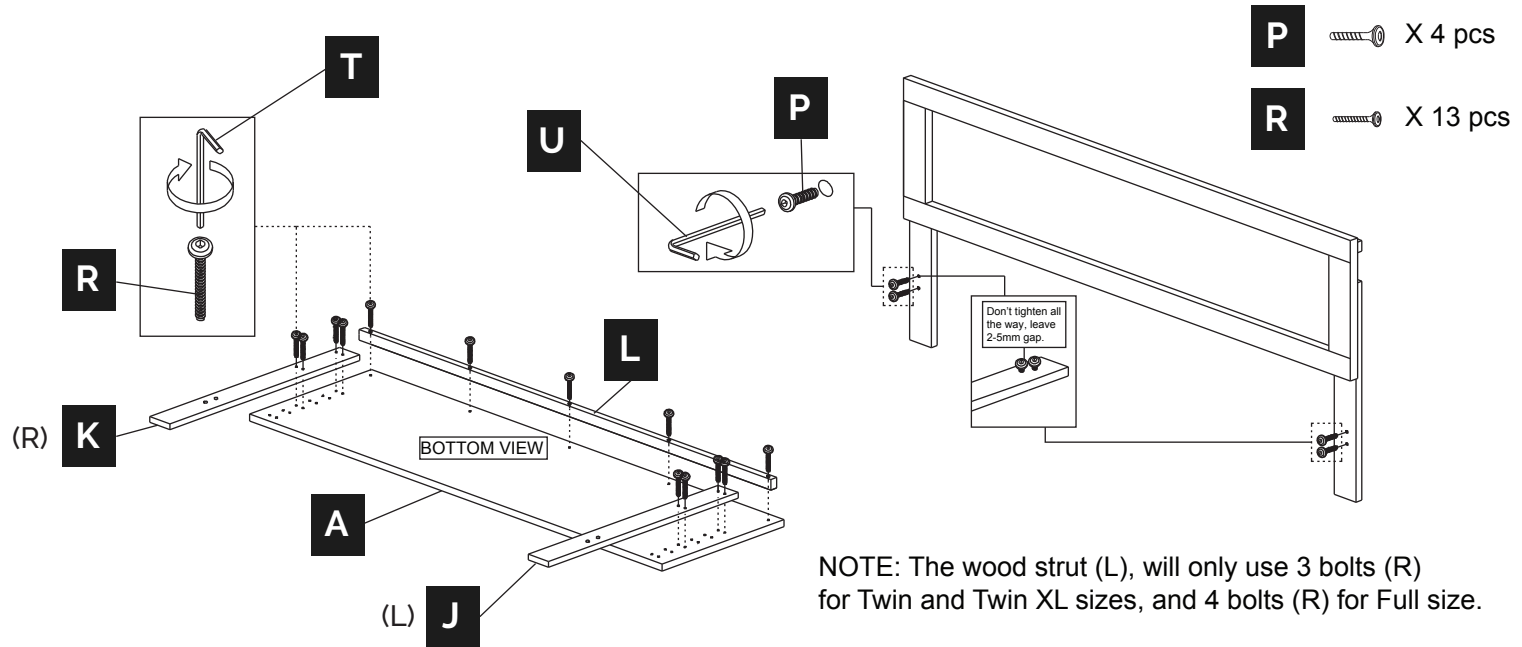
<b>N</b>		Bed Slats	2 sets
<b>O</b>		Center Legs	8 pcs.
<b>P</b>		M8x20mm Bolts	8 pcs.
<b>Q</b>		M6x25mm Bolts	8 pcs.
<b>R</b>		M6x50mm Bolts	29 pcs.
<b>S</b>		M4x30mm Screws	8 pcs.
<b>T</b>		M4 Allen Key	1 pc.
<b>U</b>		M5 Allen Key	1 pc.
<b>V</b>		M4x16mm Screws	16 pcs.



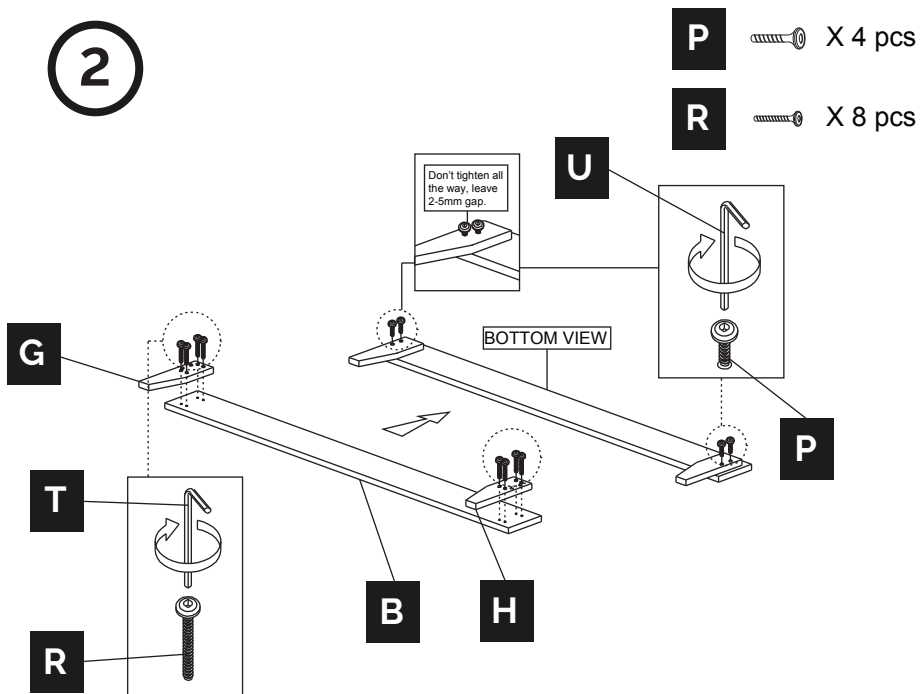
TOOLS NEEDED: Phillips Screwdriver



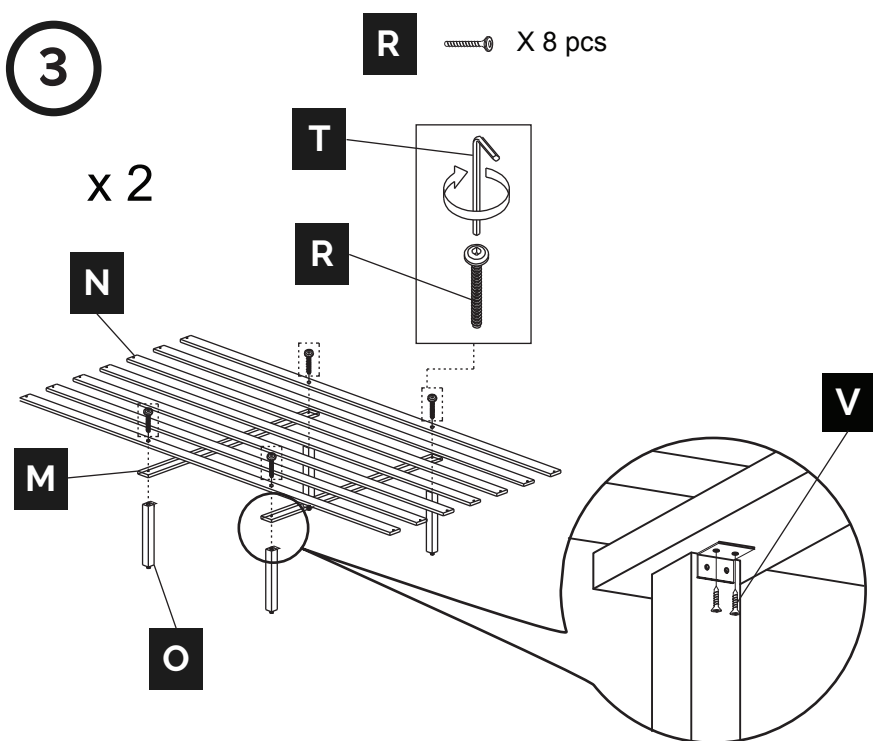
1



2

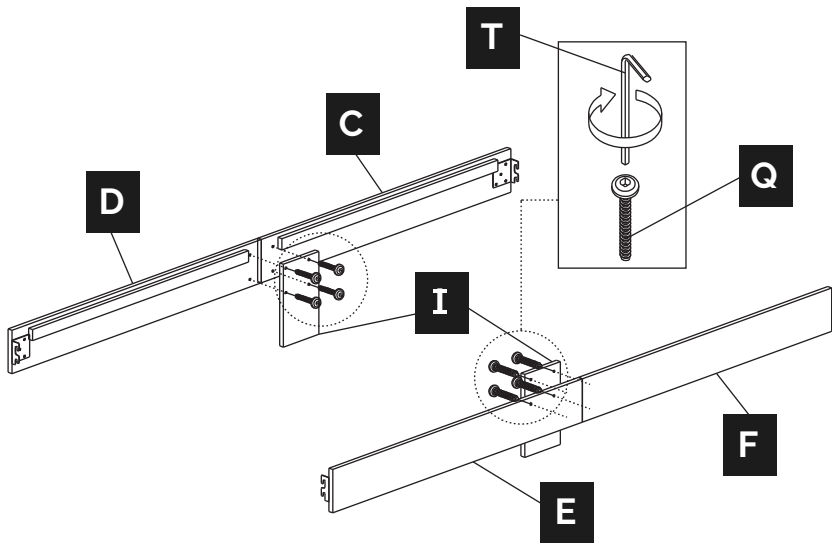


3

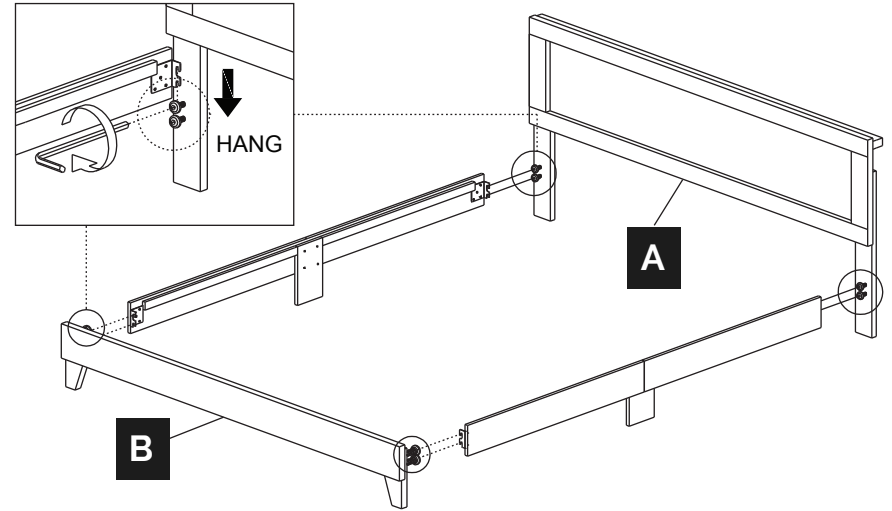


4

Q X 8 pcs

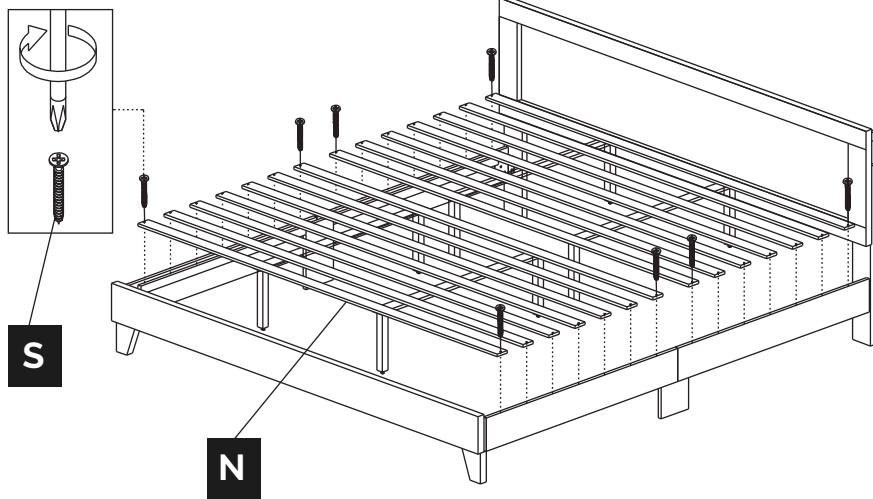


5



6

S X 8 pcs



NOTE: Lift the bed with two or more people. Dragging the bed may cause damage.

