



RESIDENTIAL ALÉSIO II™ HIGH DENSITY™ TOILET SEAT

MODEL #

COLOR #

8170CHSL/NISL

DESCRIPTION:

Closed front with cover, round, High Density™ molded wood toilet seat. Features two large, no-slip luxury bumpers, Chrome or Brushed Nickel Whisper•Close® with Easy•Clean & Change® adjustable hinges with STA-TITE® Seat Fastening System™. Hinges adjust up to 1/2" forwards and backwards.

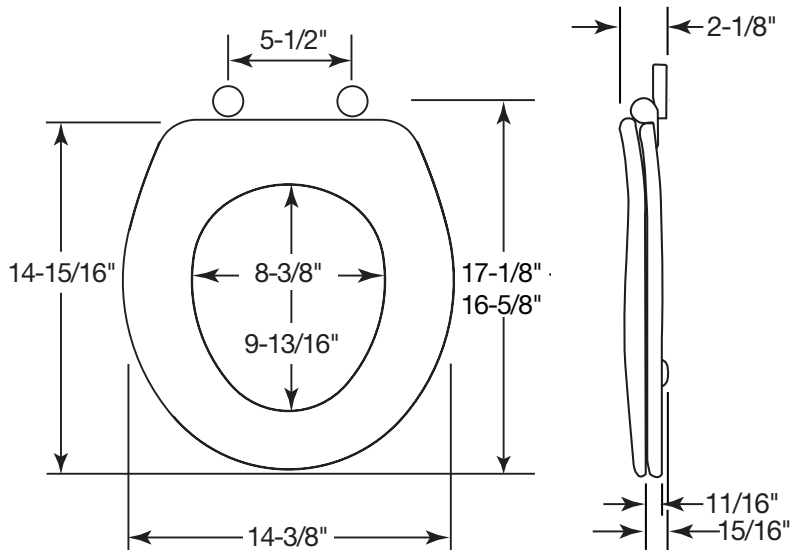
SPECIFICATIONS:

Size:	Round
Material:	High Density™ Molded Wood
Style:	Closed Front with Cover
Bumpers:	Two
Hinges:	Adjustable Chrome or Brushed Nickel Whisper•Close® with Easy•Clean & Change®
Fastening System:	STA-TITE® Seat Fastening System™

FEATURES:

- Adjustable Hinges
- Whisper•Close®
- Easy•Clean & Change®
- STA-TITE® Seat Fastening System™
- No-Slip Luxury Bumpers

DIMENSIONS:



METAL WHISPER•CLOSE®
WITH EASY•CLEAN &
CHANGE® HINGES



WHISPER•CLOSE®
FEATURE



TWIST HINGES TO UNLOCK



EASY REMOVAL OF SEAT
FOR THOROUGH CLEANING



NO-SLIP LUXURY BUMPERS

Proudly Made in the USA

Church Seats, Sheboygan Falls, WI 53085
www.ToiletSeats.com

Phone: 800-233-7328 Fax: 800-292-3647
©2014 0B7082215 REV B