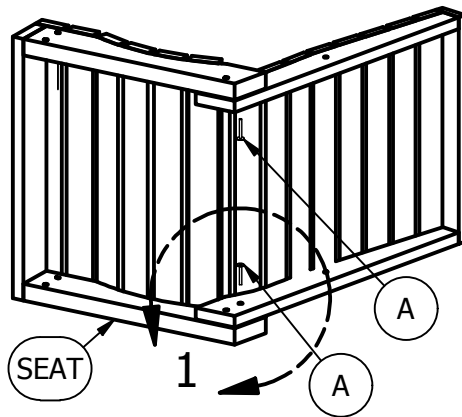
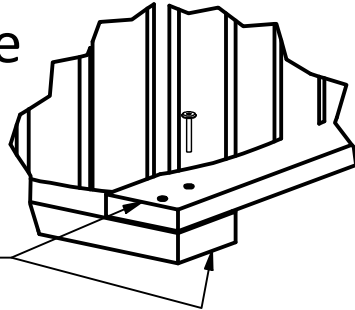


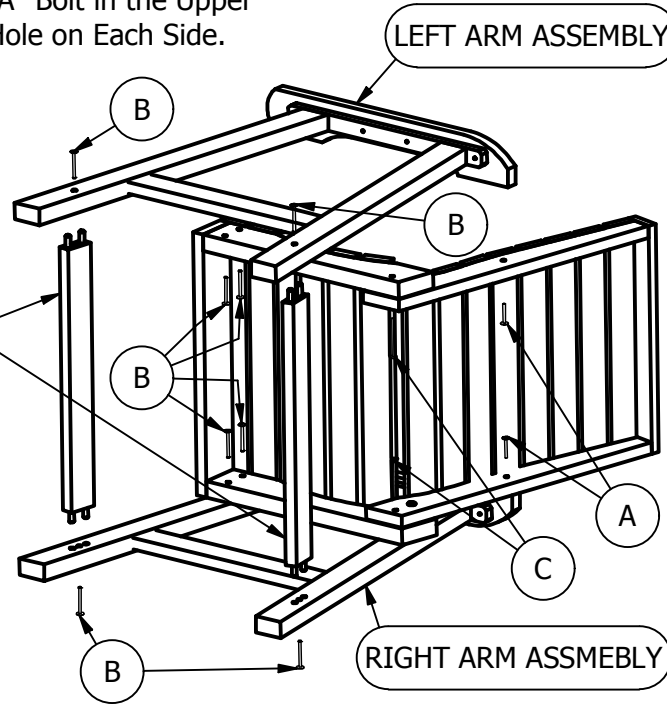
# Weatherly Collection Counter Chair with Arms

## Assembly Guide

ALIGN ANGLES OF  
BACK AND SEAT



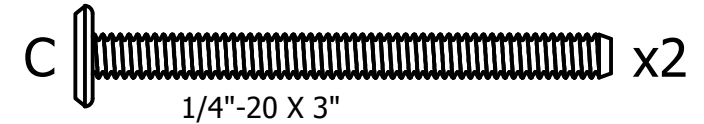
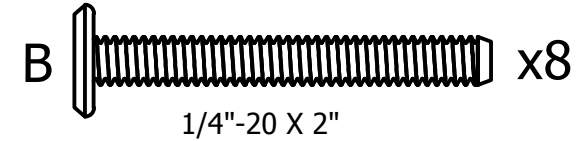
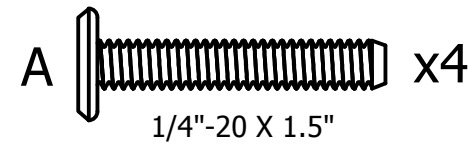
**1)** Attach Chair Back to Seat Using One "A" Bolt in the Upper Hole on Each Side.



**2)** Place Assembly from Step 1 onto Right Arm Assembly. Attach Arm Assembly to Seat Using Two "B" Bolts in Front and One "C" Bolt in Rear. Attach Arm to Back Using One "A" Bolt. Install Foot Rests into Right Arm Assembly and Fasten Using Two "B" Bolts.

**3)** Insert Foot Rests into Left Arm Assembly and Repeat Attachment Directions from Step 2 for Left Arm Assembly.

### HARDWARE

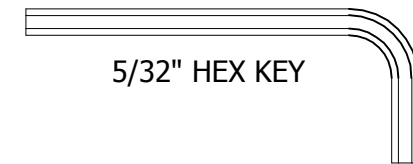


### IMPORTANT!

DO NOT fully tighten the bolts until all bolts are started. Once all bolts are inserted, go back & tighten all the bolts.

Retain these instructions for future reference

### INCLUDED TOOLS



5/32" HEX KEY