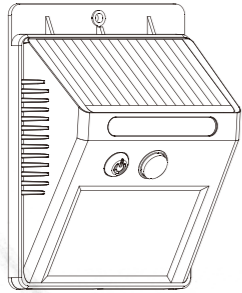


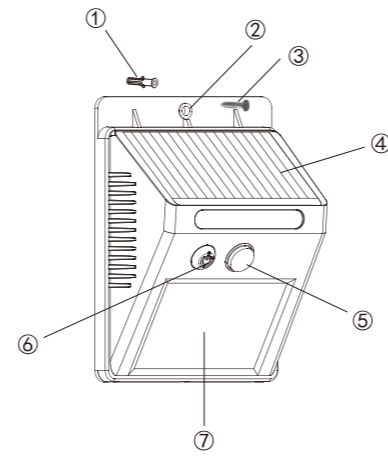
85mm



User Manual solar motion sensor light



110mm



- ① Expansion pillar-hinge
- ② Hole
- ③ Screw
- ④ Solar panel
- ⑤ PIR motion inductor
- ⑥ ON/Off Switch button
- ⑦ LED panel light

.1.

Electrical Characteristics:

- 1.Solar panel: 0.55W,17% efficiency
- 2.Li-ion battery: 3.7V 800mAh
- 3.Stainless material: ABS
- 4.Night sensor: <10Lux
- 5.Motion angle and distance:120°, 10ft
- 6.High light delay:10s
- 7.Switch: OFF/AUTO
- 8.Lighting mode
- OFF
- High Light
- 9.Size: 3.74 * 4.88 * 1.89"

Product Features:

- 1.Integrated design of PIR motion sensor and night sensor.
- 2.Recharged by Sunlight and store power for overnight lighting.
- 3.Over 12 Hours lighting time after one day charge.
- 4.Waterproof IP44, heatproof and durable.
- 5.Intelligent Energy-saving.

.2.

Operation instructions:

1.Unlock and activate the solar light:

The internal battery is locked from factory for safety shipment, so users have to press the "on/off" switch button to unlock the battery and lighting system.

2.How to install the device?

Please use the supplied Expansion pillar-hinge and screws to mount the device on Pole or wall anywhere outside you want for lighting

3.Charging via solar panel

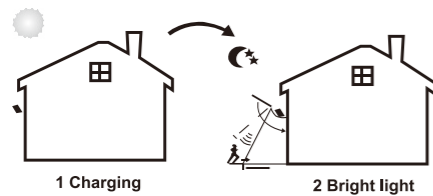
Please install the unit face south and make sure the solar panel can get the good sunlight directly without any shelter or glass Normally it can be fully charged in one day under ideal bright sunlight.

4.Night sensor function

It will auto turn on high light when motion detect in darkness or at night, and auto turn off when in daytime or bright area.

.3.

Working process instructions



.4.

Warning:

- 1.Keep the device away from fire,water and moist places in order to avoid explosion ,leakage,moisture;
- 2.Any severe shock to the charger is not recommended;
- 3.No one expect professional technicians should attempt to disassemble the charger in order to avoid damaging the charger.

.5.

Special note:

- 1.Please fully charge the device before first use
- 2.If there is no good sunlight in 3 months,the battery may be out of power,so you have to charge it by bright sunlight, when it's fully charged,please unlock the device and lighting system,otherwise,it can't work anymore.
- 3.If the light blink means the power is very low,you have to charge it by sunlight soon,otherwise,the device will stop working soon
- 4.If there is no good sunlight or in winter sunlight, especial in North countries,it may take longer time to fully charge the device and this is very normal for solar products.

.6.

Package include:

- 1.Double sided adhesive tape 2 pcs
- 2.Expansion pillar hinge 2 pcs
- 3.Screw 2 pcs

.7.