




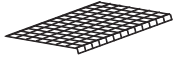





Large Greenhouse

NO.	Picture	QTY
①		3
②		30
③		32
④		20
⑤		6
⑥		8
⑦		8
⑧		4
⑨	 Plastic Lacing	16



A x4



E x26



B x6



H x1



C x2

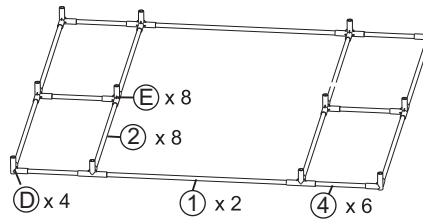


J x2



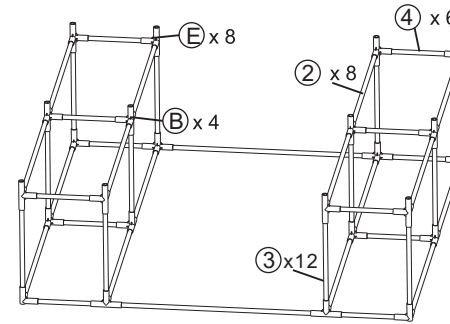
D x6

1



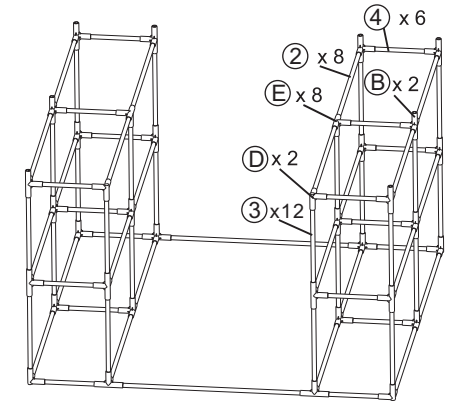
Step 1 – Building Greenhouse Base:
Required parts: D x4, E x8, 1 x2, 2 x8, 4 x6

2



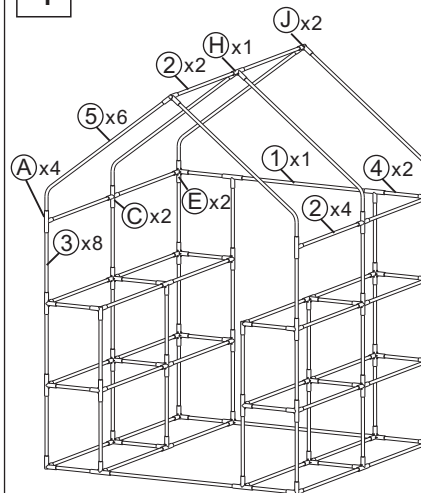
Step 2: (Repeat this step for first and second level)

3



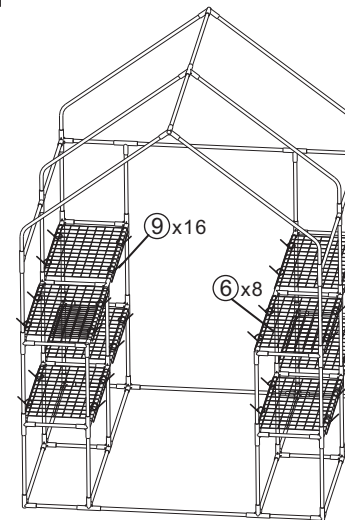
Step 3: (Build third floor level)

4



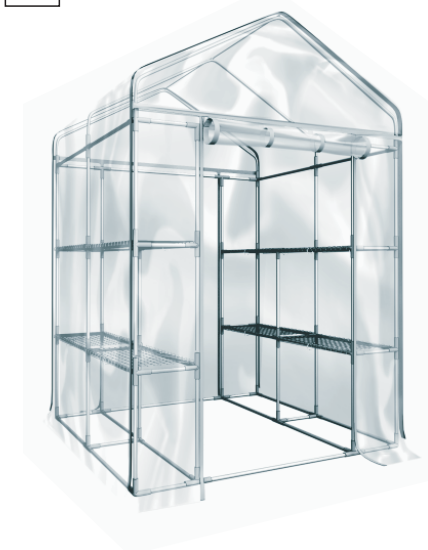
Step 4: (Build Greenhouse roof)

5



Step 5: (Put shelves and tighten with zip ties):

6



Step 6: (Tighten Greenhouse cover to construction + tie it to ground)