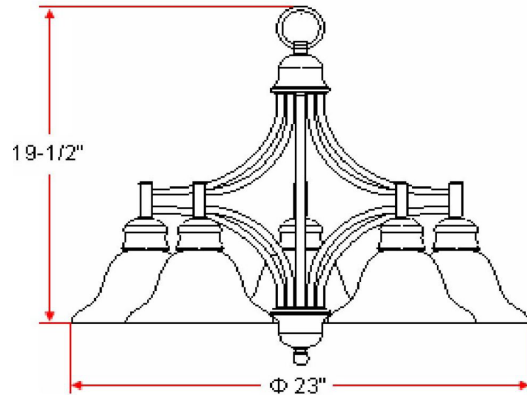


**Bristol 5-Light Chandelier**  
Oil Rubbed Bronze



**SPECIFICATIONS**

**MOUNTING:** Flush Mount  
**SLOPED CEILING ADAPTABLE:** No  
**LAMP TYPE 1:** 5 lamps 60W Incandescent  
**BULB INCLUDED:** No  
**WATTS PER BULB:** 60W  
**TOTAL WATTAGE:** 300W  
**DIMMABLE:** Yes  
**MATERIAL CONSTRUCTION:** Steel  
**ASSEMBLED DIMENSIONS:** 19.5" H x 23" L x 23" D  
**WEIGHT:** 12.14 lbs.

**LED BRIGHTNESS (LUMENS):** N/A  
**LED COLOR CORRELATED TEMPERATURE (CCT):** N/A  
**LED COLOR RENDERING INDEX (CRI):** N/A  
**LED EFFICACY:** N/A  
**LED AVERAGE RATED LIFE:** N/A  
**ENERGY EFFICIENT:** No  
**LIGHTING AMPS:** N/A  
**VOLTAGE:** 120V

**BACKPLATE DIMENSIONS:** N/A  
**CANOPY/PLATE DIMENSIONS:** 0.827" H x 5" D  
**GLASS/SHADE DIMENSIONS:** 4.2" H x 7.5" L x 7.5" D  
**GLASS/SHADE MATERIAL:** Glass  
**GLASS/SHADE TYPE:** Tea Speckled  
**GLASS/SHADE COLOR:** Amber

**WARRANTY:** 10-Year limited warranty  
**UL/ETL CERTIFICATION:** cUL/UL  
**WET/DRY/DAMP LISTING:** Dry  
**ADA COMPLIANT:** No  
**ENERGY STAR CERTIFIED:** No



TYPE:  
 JOB:  
 ORDER CODE:  
 APPROVALS: