



Accord® 42" Shower 72250100



Features

- Modular design allows it to be moved around corners and through doorways with ease.
- Durable high gloss finish.
- Convenient shelves provide generous storage space.
- Geometric back wall design adds visual interest.
- 42" (1067 mm) x 36" (914 mm) x 76-5/8" (1946 mm) complete unit finished dimensions.

Material

- Compression molded from our exclusive Vikrell® material.

Installation

- Four-piece modular design with pivot "snap together" installation.
- Caulk-free installation.

Components

Product includes:

72245100 36" Shower End Wall Set

72251100

72252100 42" Shower Back Wall



For complete listing of available colors, go to sterlingplumbing.com.

Codes/Standards

ASTM E162

ASTM E662

Greenguard UL 2818 - Gold

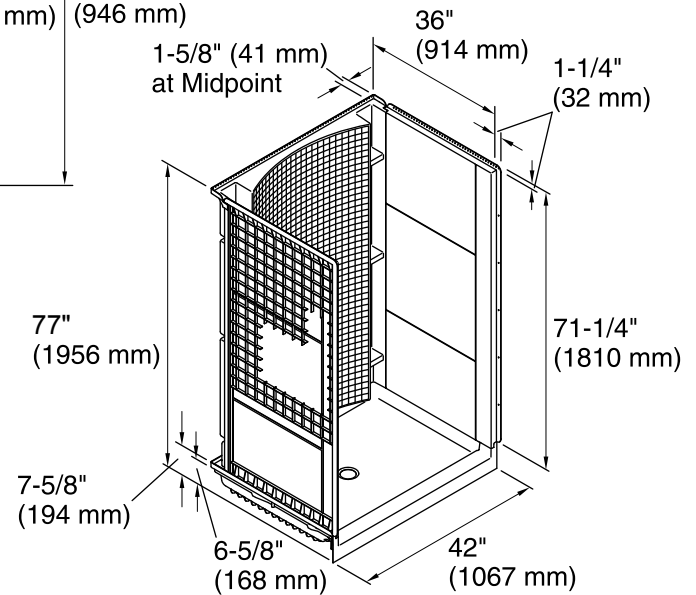
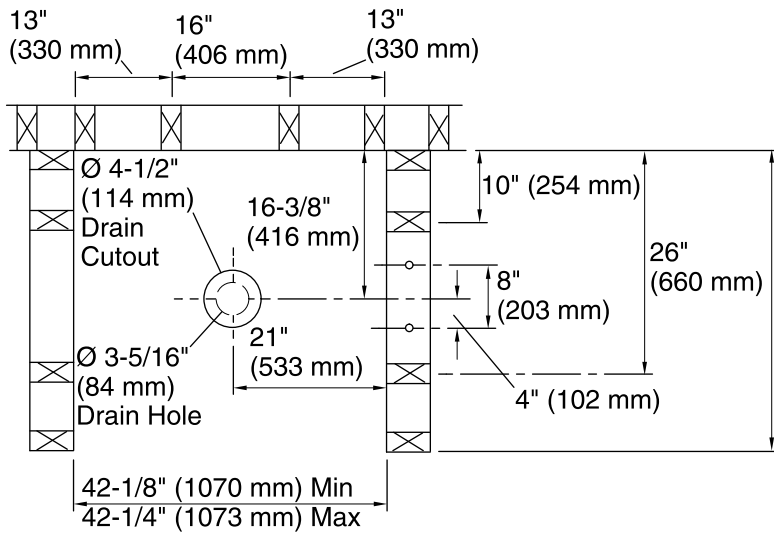
CSA B45.5/IAPMO Z124

STERLING® Warranty - Fixtures Made of Solid Vikrell Material

See website for detailed warranty information.

Product Specification

Shower base and wall surround shall be 42" (1067 mm) in length, 37-1/4" (946 mm) in width, and 77-7/8" (1978 mm) in height. Shower base and wall surround shall be made of Vikrell® material. Shower base and wall surround shall be STERLING Model 72250100.



Technical Information

All measurements are nominal.

Installation: 3-Wall Alcove

Drain location: Center

Door height required: 72" (1829 mm)

Door width required: 38-5/8" (981 mm)

Installation Notes

Install this product according to the installation guide.

Double studding is recommended for pivot shower door installations.

Studs should be positioned roughly as shown.