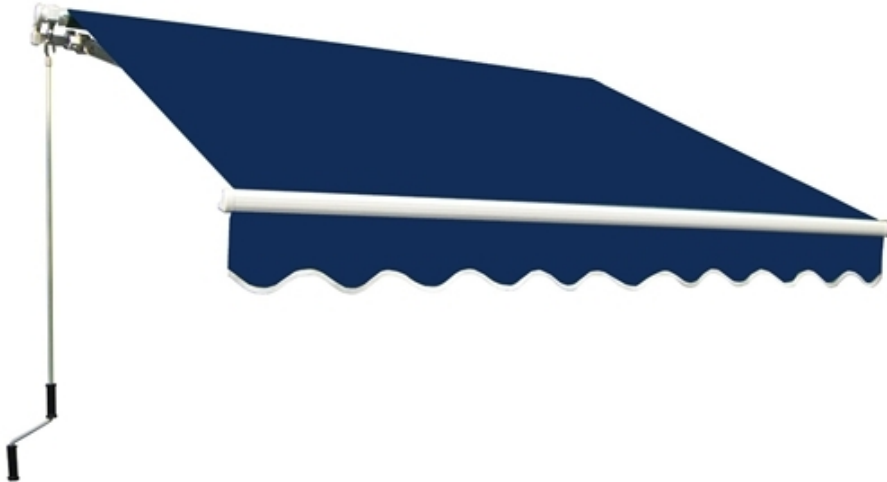


# ALEKO®

INSTRUCTION MANUAL  
for  
**ALEKO® RETRACTABLE AWNING**





[www.ALEKOPRODUCTS.com](http://www.ALEKOPRODUCTS.com)


**WARNING:**  
FAILURE TO FOLLOW THESE INSTRUCTIONS  
MAY RESULT IN PERSONAL INJURY!


# Important Safety Precautions


**WARNING NOTE: FOR PERSONAL SAFETY, IT IS IMPORTANT TO FOLLOW THESE INSTRUCTIONS, PLEASE KEEP THIS MANUAL IN A SAFE PLACE**


 This warning triangle calls attention to hazards that can lead to death or serious injuries.


 This sign identifies important notes.


 Read these instructions carefully before you begin the assembly.


 The awning is primarily intended for protection against the sun. In case of wind, heavy rain or snow it should be closed immediately. Operating the awning in winter conditions can result in damage or malfunction of awning components.


 **WARNING: DO NOT REMOVE SAFETY BANDS FROM THE ARMS UNTIL INSTRUCTED TO DO SO.**


 Before the assembly please check whether all of the delivered assembly components are of the right type and their amount is correct. Refer to the parts list (page 4) to see what pieces have to be in the box.


 **Required Tools:** (NOT INCLUDED and may vary depending on installation conditions)  
Drill; Masonry drill bit, 16mm;  
Wrench: 9/16(14mm), 11/16(17mm), 3/4(19mm); Allen wrench : 1/4" (6mm);  
Phillips screwdriver; Needle-nose pliers;  
Level, Measuring tape, Chalk line, Pencil;  
Step ladder.

 **WARNING:** The awning is heavy. A minimum of two persons is required to hang the awning onto the wall brackets.

 **WARNING:** Do not allow children to play in the work area during assembly and adjustments.

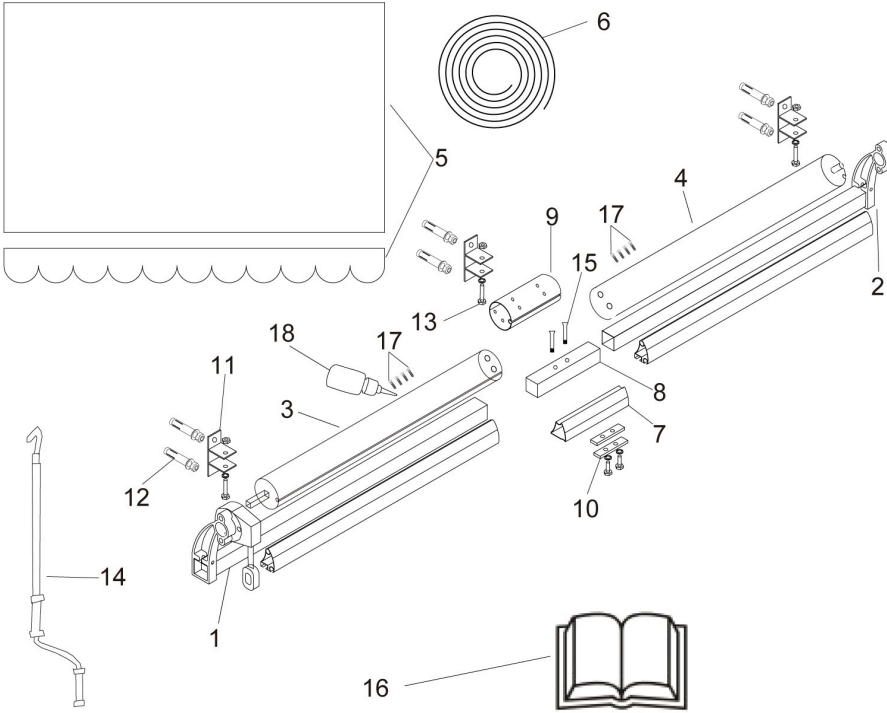

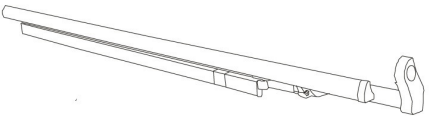
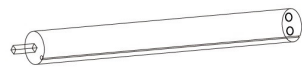



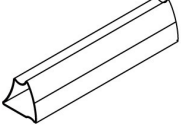
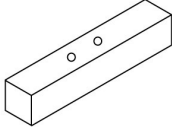
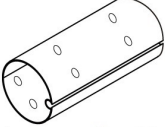
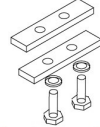
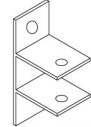
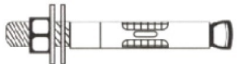

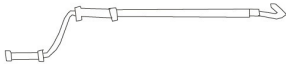




 **WARNING: DO NOT TRY** to mount the awning alone.  
If the awning falls, it may cause serious injuries or get damaged.

 Please make sure that your hands are clean before the assembly, otherwise you may leave stains on the awning fabric and frame.

 Before starting the assembly, check the load capacity of the wall and if necessary take actions to ensure a proper installation of the wall brackets. If the wall is unstable, you may want to ask a specialist in your area.

# Parts list

For awning sizes: 10x8 Ft, 12x10 Ft, and 13x10 Ft

		 <p>1.Awning frame A (with the gear box)X1pc</p>
		 <p>2.Awning frame B X 1pc</p>
		 <p>3.Fabric tube A (with square dowel)X1pc</p>
		 <p>4.Fabric tube B (with round dowel)X1pc</p>
		<p>5. Fabric with valance X 1 set</p> 
 <p>6. Flexible fabric rod X 3pcs</p>	 <p>7.Front bar coupler X 1pc</p>	 <p>8.Square bar coupler X 1pc</p>
 <p>9.Fabric tube coupler X 1pc</p>	 <p>10.Front bar fastener X 1set</p>	 <p>11.Wall bracket X 3pcs</p>
 <p>12. Expansion bolt X 6pcs</p>	 <p>13. Retaining bolt X 3sets</p>	 <p>14.Hand-crank X 1pc</p>
 <p>15.Square bar bolt x 2 pcs</p>	 <p>16.Manual</p>	 <p>17.Self-tapping screwX8pcs</p>
		 <p>18.GlueX1pc</p>

# Awning Assembly

**WARNING:** DO NOT REMOVE SAFETY BANDS FROM THE ARMS UNTIL INSTRUCTED TO DO SO.

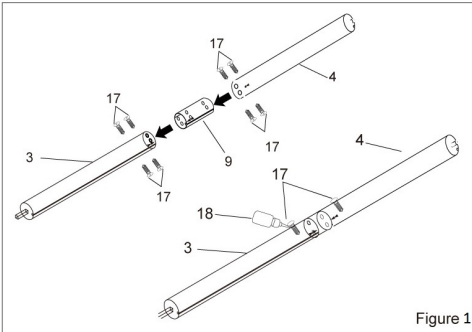


Figure 1

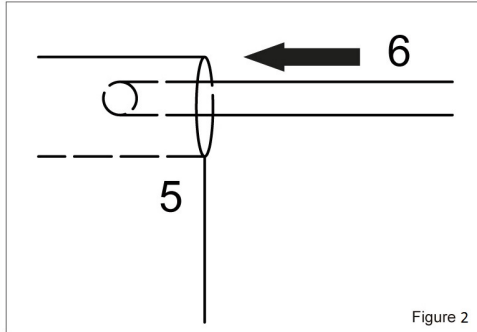


Figure 2

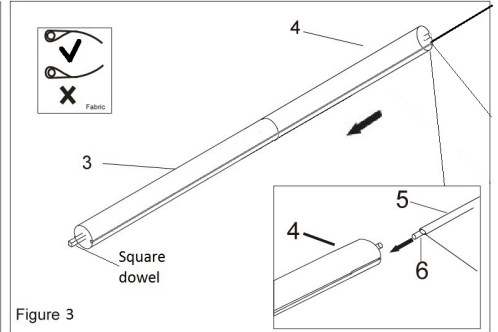


Figure 3

**Step 1:** Put the **fabric tube coupler (10)** into the **fabric tubes A & B (3&4)**. Apply a thin coat of **super glue** to all **self-tapping screws (18)** and use them to secure the coupling.

**Step 2:** Slide the **flexible fabric rod (6)** inside the **two sleeves**, one on each side of the **fabric (5)**.

**Step 3:** Place the **fabric tube** so that the **square dowel** is facing the end where the **gear box** will be located (left end). Then **insert** one side of the **fabric** into the **fabric tube**. **Note:** The **folded edge** of the **fabric** has to face the ground.

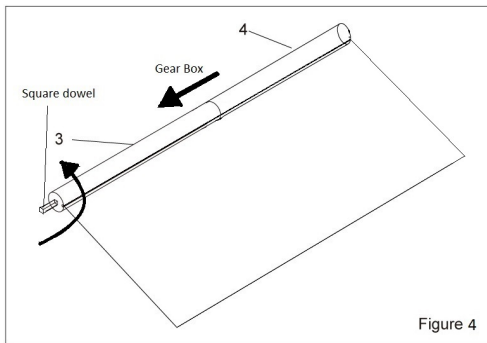


Figure 4

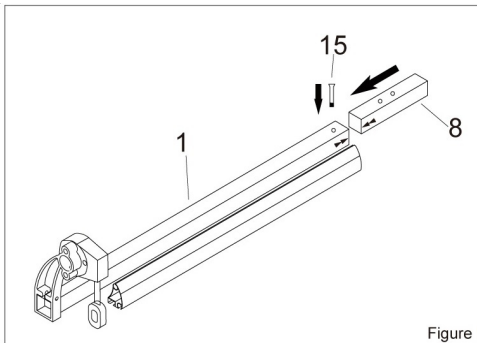


Figure 5

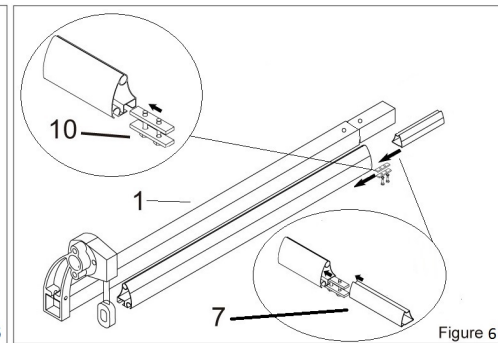


Figure 6

**Step 4:** Spin the **fabric tube** to get all of the **fabric** rolled tight around the **tube**.

**Step 5:** Insert the **square bar coupler (8)** into the **square bar** on the **awning frame A** (with the gear box) (1), fasten them with one **square bar connection bolt (15)**.

**Step 6:** Put the **front bar coupler (7)** inside the **front bar** of the **awning frame A** (with the gear box) (1). Then insert the **front bar fastener (10)** into the **bottom channel** of the **front bar**.

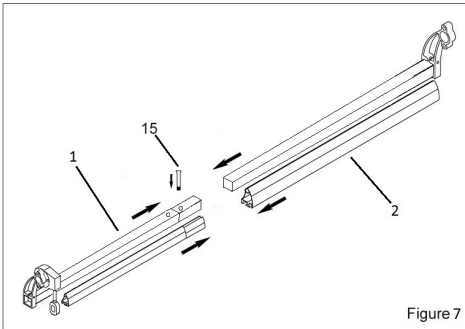


Figure 7

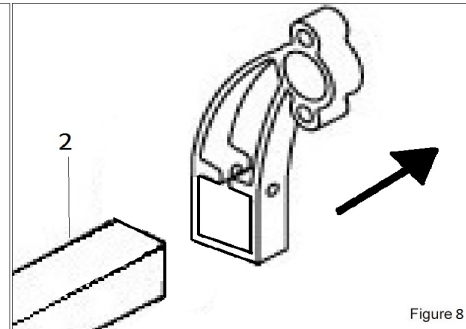


Figure 8

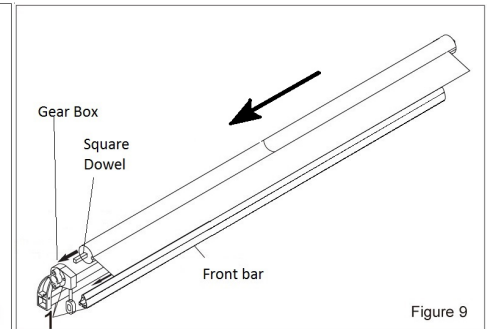


Figure 9

**Step 7:** Connect the **square** and the **front bars** of the awning frames A & B (1&2) and secure the **square bars** with a **square bar bolt** (15) and tighten the **front bar fastener** (10) centered at the seam with **1/4"(6mm) Allen wrench**.

**Step 8:** Locate the **fabric tube bracket** on the right side of the **awning frame**. Loosen the fastening bolt with **1/4"(6mm) Allen wrench**. And remove the **bracket** from the bar. **Note:** This **bracket** is the one without the **gear box**.

**Step 9:** Insert the side of the **fabric** hanging loose from the **fabric tube** into the front bar of the **awning frame** mentioned in step 7. Then place the **square dowel** (3) inside the **gear box**.

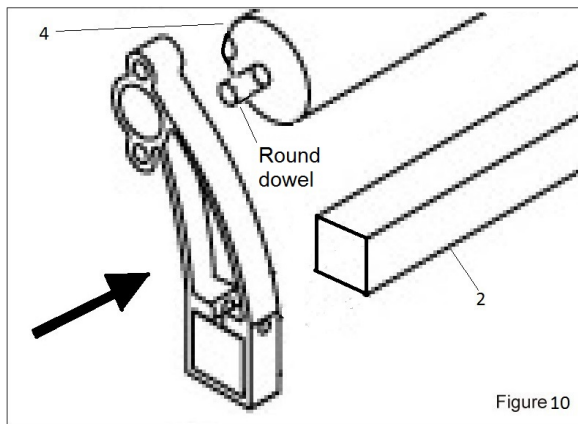


Figure 10

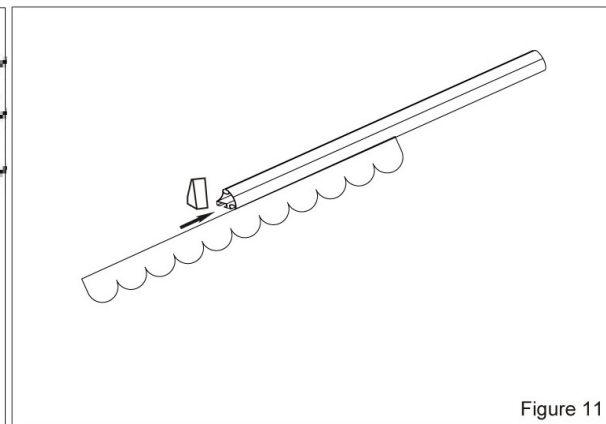
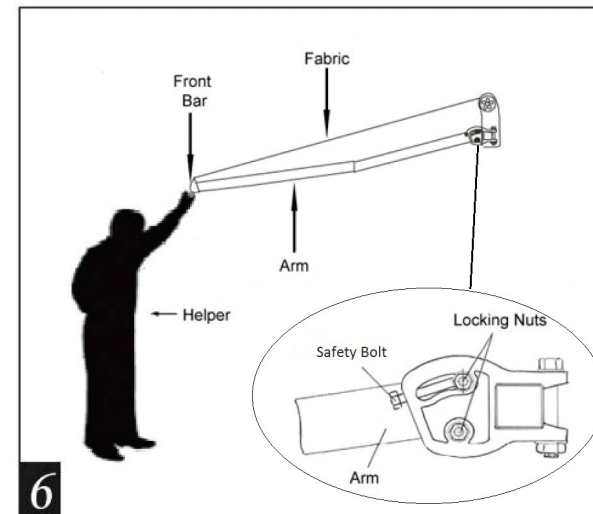
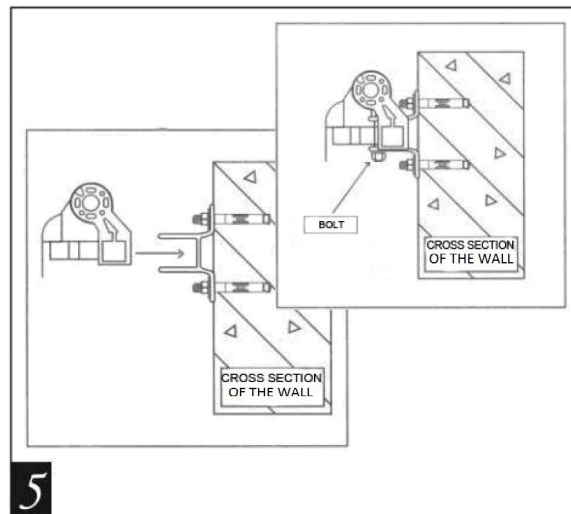
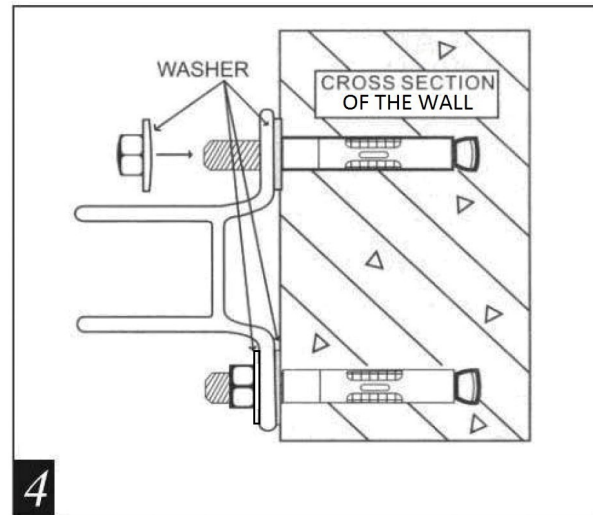
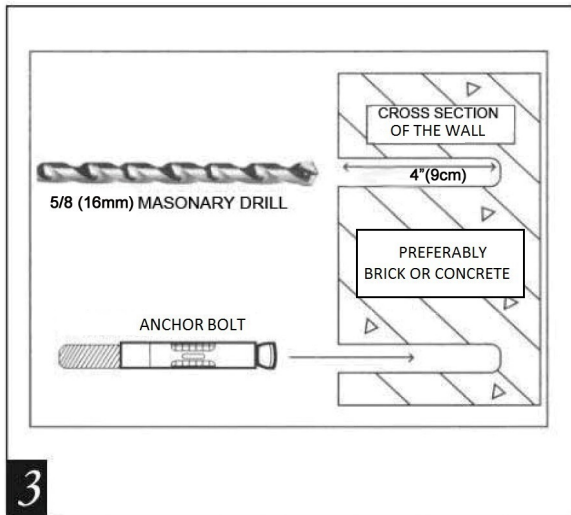
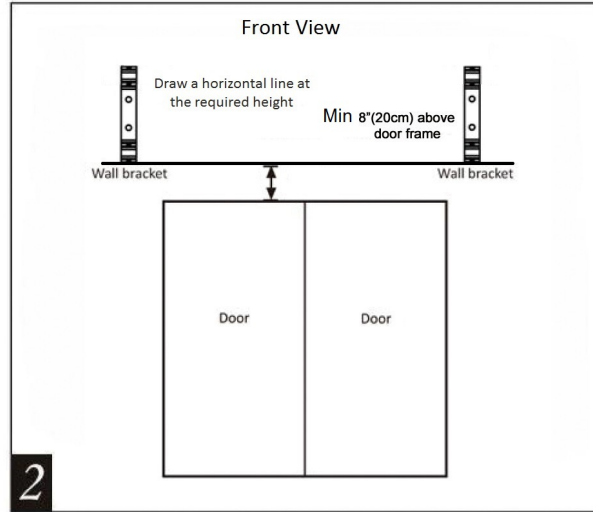
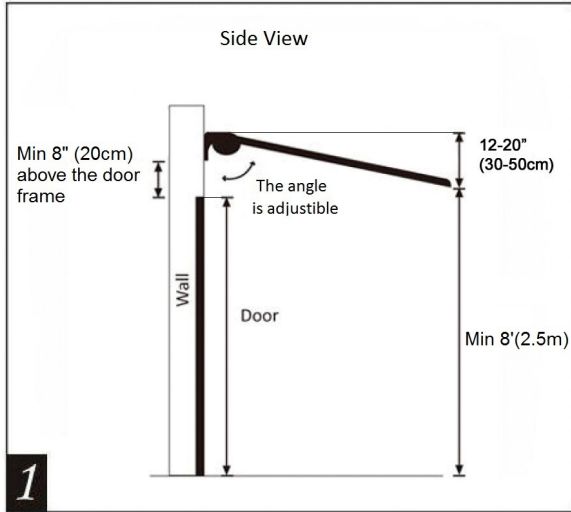


Figure 11

**Step 10:** Reinstall the **fabric tube bracket**. **Note:** The **bracket** has to be aligned with the **fabric tube** so that the **round dowel** is placed in the **plastic bushing** located inside the big **circular hole** of the **bracket**.

**Step 11:** Insert the **flexible fabric rod** (6) into the **sleeve** of the **valance**. Take off the **plastic end cap** from one side of the **front bar** and insert the **valance**. Then reinstall the **cap**.

# Awning Installation



## Step 1: Opening the Box

Carefully remove the awning from the box and remove the Styrofoam cushions from the awning. Remove plastic bags from the awning and carefully place all of the components around the work area to prevent any damage.



**WARNING: DO NOT REMOVE SAFETY BANDS FROM THE ARMS UNTIL INSTRUCTED TO DO SO.**

Think about how you will mount the awning to the wall ahead of time. If you want to mount the awning above a patio door, you should leave least **8 inches (20cm)** of space above the door frame. You may mount the awning higher than that; however this will result in reduced awning coverage area. Ensure that you take the drop angle into consideration while making a decision on where to install the awning. There is an adjustment for the drop angle up to 45 degrees downward from horizontal.

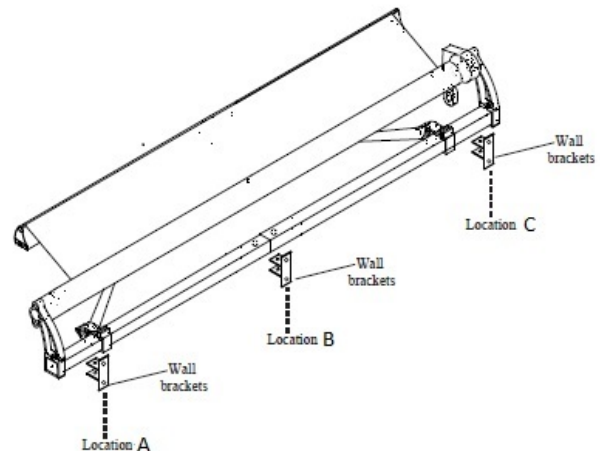
**Figure 1** shows the side view of a properly installed awning where the awning and the drop heights are ideal. The correct drop angle is usually already preset by the factory; however some minor adjustments will be needed after the installation.

## Step 2: Locating the Wall Brackets

Bracket location A- Between the right end of the **awning** and the **right arm bracket** on the square bar.

Bracket Location B- In the middle of the **square bar**, over the seam.

Bracket Location C- Between the left end of the **awning** and the **left arm bracket**.



2.1. After placing the wall brackets in the locations described above, use a tape measure to find the distance from the end of the awning frame to the bracket "A", and all the distances between the brackets. You will need these measurements to place the brackets on the wall.

2.2. Use a tape measure to find the proper height above the door (**min 8 inches (20cm)**). Mark this distance and use a level to draw a horizontal line which will be determining the height of the awning.

2.3. Put a mark somewhere on the horizontal line where the end of the awning will be located and use it as a reference point to map out all the bracket dimensions obtained earlier.

2.4. Place the brackets one by one above the horizontal line and put marks where they will be secured with the anchor bolts.

**Figure 2** shows the front view revealing the suggested awning height and the wall bracket locations.





**PROPER LOCATION OF THE BRACKETS IS THE MOST IMPORTANT ASPECT OF THE AWNING INSTALLATION. IT IS CRITICAL THAT YOU FASTEN ALL THE MOUNTING BRACKETS TO STUDS, JOISTS, OR OTHER MAJOR STRUCTURAL COMPONENTS.**



**WARNING: FAILURE TO SECURELY FASTEN THE BRACKETS TO THE WALL COULD RESULT IN COLLAPSE OF THE AWNING AND CAUSE PERSONAL INJURY OR DEATH**

### **Step 3: Drilling the Holes**

3.1. Use a 5/8(16 mm) masonry drill bit to make 4" (9cm) deep holes for the brackets at the marks mentioned in the previous step.

3.2. Inset the anchor bolts. If the bolt doesn't get in easily you may use a hammer and a wooden block.

**Note :** The only part of the anchor that has to be outside the wall is the threaded part.

**Figure 3** shows the holes 4 inches (9cm) deep in the wall



**DO NOT DRILL THROUGH MORTAR OR DRYWALL! THESE MATERIALS DON'T PROVIDE ENOUGH SUPPORT TO SECURE THE AWNING.**



**THE ANCHOR BOLTS INCLUDED IN THE PACKAGE ARE NOT SUITABLE FOR MOUNTING THE AWNING TO WOODEN BEAMS.**

### **Step 4: Attaching the Brackets**

4.1. After inserting the anchor bolts add the washers. Then install the wall brackets. Place another set of washers on top of the brackets and tighten the 3/4(19mm) nuts.

**Figure 4** shows the proper installation of the wall brackets,

### **Step 5: Hanging the Awning**

5.1. Have another person to help you lift the awning.

5.2. Insert the square bar of the awning into the wall brackets.

5.3. Put the 9/16(14mm) retaining bolt through the bracket and tighten it with the nut on top.

5.4. Repeat for the rest of the brackets.

**Figure 5** provides the visual of how the awning should be installed.



**NOW YOU CAN REMOVE SAFETY BANDS FROM THE ARMS.**



If the square bar can't be inserted into the wall brackets due to misalignment you should slightly loosen the wall brackets' nuts and then try again.

**Don't forget to tighten the nuts after the installation.**

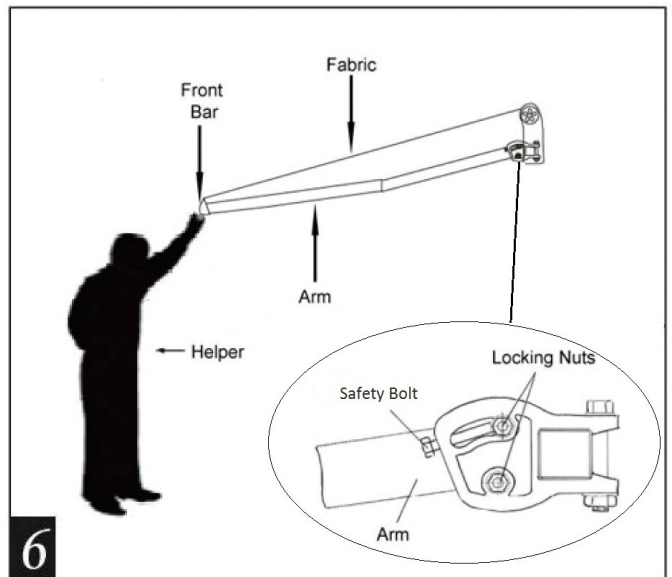
## Step 6: Changing the Drop Angle (Optional)



**IT'S HIGHLY RECOMMENDED TO PERFORM THIS STEP WITH A HELPER. FAILURE TO DO SO MAY RESULT IN UNWANTED COMPLICATION DURING THE ADJUSTMENT.**

If you are not satisfied with the drop angle of your awning when it's fully extended you may refer to the steps below to perform an adjustment.

- 6.1. Extend the awning completely so the inside bolts on each support arm bracket are accessible.
- 6.2. Have a helper with a level, supporting the front bar of the awning.
- 6.3. Loosen the locking nuts on both arm brackets but do not remove them.
- 6.4. Let the helper set the awning to the desired angle and use the level to make the front bar horizontal.
- 6.5. Tighten the locking nuts.
- 6.6. Make sure the safety bolt is touching the locking bolt. It should be tight enough to support the structure in case of a locking mechanism failure.



**Figure 6** shows the side view of the arm bracket



**WARNING:**

**RAISING THE FRONT BAR WILL INCREASE THE RISK OF RAIN WATER COLLECTING ON TOP OF THE FABRIC.**







**WARNING:**

**TO PREVENT THE AWNING FROM COLLAPSING DUE TO RAIN WATER LOAD, YOU MUST CLOSE THE AWNING WHEN UNATTENDED. FAILURE TO DO SO MAY RESULT IN SEVERE AWNING DAMAGE.**

*If you have any questions about this installation or you need spare parts, please contact your dealer.*

## Optional Awning Accessories

<p>AC Tubular Motor DM-45R</p>	 A green AC tubular motor with a white remote control, a power cord, and various installation hardware like screws and a nut.	<p>ALEKO® tubular motor opens and closes your awnings with just a simple click of a button on the remote control. Powerful, reliable, simple to install and adjust it will bring a new level of comfort to your home.</p>
<p>Sun-Wind Sensor</p>	 A white and black sun-wind sensor with a green display screen and two circular sensors, emitting radio waves.	<p>ALEKO® Sun-wind Sensor is designed to close your awning automatically after sunset or when the wind speed gets too fast and open it when the sun starts to shine again. Stop worrying about closing your awning in the harsh weather conditions, sun-wind sensor will do it for you.</p>
<p>Support Arm</p>	 A blue and white striped awning with a metal support arm extending from the front bar to the ground.	<p>ALEKO® Support arm provides extra stability and safety to your awning by fixing the front bar of the awning to the ground. It's the best safety measure for its price.</p>
<p>Remote Control</p>	 A silver remote control with several buttons and a small display screen.	<p>ALEKO® Remote control is a necessary part for the tubular motor. If you've already got one with the motor and want another one you can always order it from our website.</p>

Visit our web site for great products, parts and accessories.

[WWW.ALEKOPRODUCTS.COM](http://WWW.ALEKOPRODUCTS.COM)

Phone: (253)872-3656

Email: [sales@alekoproducts.com](mailto:sales@alekoproducts.com)

## Troubleshooting Motorized Awning Problems

No.	ISSUE	REASON	SOLUTION
1.	The awning does not work when operated with the remote control.	No power supply.	Check the plug to see whether its properly connected.
		The automatic circuit breaker in your house is in “off” position.	Put the breaker switch to “on” position. Call the specialist if you don’t know the location of the circuit breaker.
		The voltage is too low.	Call the specialist to inspect the voltage.
2.	When operated with the remote control, the awning does not work; although the receiver makes a sound.	The motor is temporarily turned off by the overheat protection system.	Wait for approx 20 minutes.
3.	Fabric is not extended completely with the motor.	Path length isn’t adjusted properly.	Readjust path length with a special hex tool provided with the motor.
4.	The awning can’t be retracted completely.	Connection point between the front bar and one or both of the arm is misplaced.	Adjust position of the front arm connection till the awning is entirely retracted.
5.	Unwanted noise during an operation.	Loose nuts.	Check if all nuts and bolts are tightened.
6.	When operated with the remote control, the indicator lamp does not light and there no signal from the receiver.	Remote’s battery is discharged.	Change the battery.
		Connection between the remote and receiver is lost.	Reprogram the remote.

For more information, parts and accessories

please visit our web site

[www.ALEKOPRODUCTS.com](http://www.ALEKOPRODUCTS.com)