

Home Comfort

FGRC1044T1



Signature Features



Cool Your Room Anywhere, Anytime

Control your AC from anywhere on your smart device. Turn the unit on or off, change temperature, control modes, and adapt fan speeds to best meet your comfort.



Sleek Design

Reimagine what a room air conditioner looks like. With LED lighting, and a sleek and modern mesh grill, the Cool Connect™ Room Air Conditioner blends seamlessly into any room.



Even Cooling of Any Room

Innovative slanted louvers direct airflow in an upward, circular motion, allowing for even cooling of the entire room.



New Easy Clean Mesh Filter

New magnetic closure allows the mesh antibacterial filter to be easily removed for convenient cleaning.

Cool Connect™ Room Air Conditioner

Product Dimensions

Height	14-1/2"
Width	19"
Depth	19-3/4"

More Easy-To-Use Features

The Frigidaire® Smart App

The Frigidaire® Smart App provides you the convenience to remotely change temperature, turn the unit on & off, and create custom schedules.

Save Energy & Money

Only run your AC when you need it with the Frigidaire® Smart App, so that it can save you on energy costs.

Effortless™ Scheduling

Conveniently develop a custom schedule for your AC 24 hours a day. Easily program your AC during the day, at night, during the week and on weekends.

Comfortably Cool Rooms

With 10,000 BTUs, the AC is ideal for cooling rooms up to 450 square feet.

Multi-Speed Fan

Features three different fan speeds for more cooling flexibility.

Effortless™ Temperature Control

Our air conditioners maintain the preset room temperature, so you will remain comfortable at all times.

Sleep Mode

Maximum comfort throughout the evening hours with the added benefit of energy savings. With Sleep Mode, the temperature gradually increases a few degrees over the evening.

ENERGY STAR® Certified

Use less energy than standard air conditioners, reducing your energy usage and ultimately lowering your utility bills.

Remote Control

Allows you to precisely control the temperature and fan speed from across the room.

Product Alerts & Support

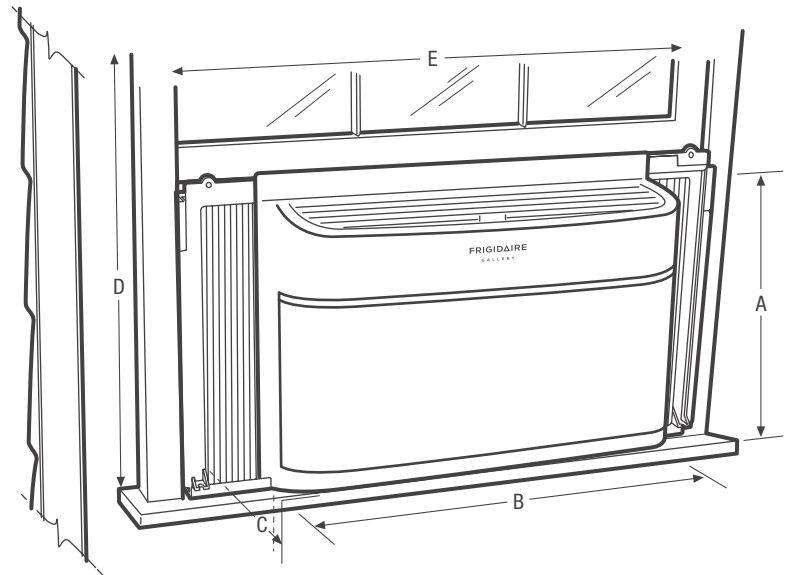
The Frigidaire® Smart App allows you to stay informed with up-to-date alerts, such as clean filter indicators and other key notifications.

ENERGY STAR®



Performance	BTUs
Cool	10,000

Performance	
BTU (Cool)	10,000
Dehumidification (Pints/Hour)	3.0
Cool Area (Up To Sq. Ft.)	450
Combined Energy Efficiency Ratio	12.0
Energy Efficiency Ratio	12.0
Electrical	
Volts	115
Amps (Cool)	7.5
Watts (Cool)	830
Length of Power Cord (Min./Max.)	6' / 6.5'
Plug Type (NEMA)	LCDI (5-15P)
Features	
Electronic Controls	Ready-Select® Controls
Fan Speeds (Cool/Fan)	3/3
Low Voltage Start-Up	Yes
Auto Cool Function	Yes
Energy Saver Mode	Yes
Sleep Mode	Yes
Filter Check	Yes
24-Hour On/Off Timer	
Clean Air Ionizer	Yes
Remote Control	Full-Function
Air CFM (High/Med/Low)	285 / 256 / 232
Air Direction Control	2-Way
Fresh Air/Exhaust Vent/Closed	No/No/No
Filter Type	Antibacterial Mesh
Filter Access	Slide-Out
Slide-Out Chassis	
Window Mounting Kit (Included)	Pleated Quick Mount
Warranty ¹	Yes
Certifications	
ENERGY STAR®	Yes
Performance	AHAM
Specifications	
Refrigerant	R410a
Shipping Weight (Approx.)	72 Lbs.



¹Warranty 5 year sealed system/1 year full parts and labor.



Plug Type (NEMA)
5-15P

NOTE: For planning purposes only. Always consult local and national electric codes. Refer to Product Installation Guide for detailed installation instructions on the web at frigidaire.com.



Product Dimensions	
A - Height	14-1/2"
B - Width	19"
C - Depth	19-3/4"

Window Dimensions	
D - Height (Min.)	15-1/2"
E - Width (Min./Max.)	23" / 36"

Accessories information available on the web at frigidaire.com

FRIGIDAIRE

USA • 10200 David Taylor Drive • Charlotte, NC 28262 • 1-800-FRIGIDAIRE • frigidaire.com
CANADA • 5855 Terry Fox Way • Mississauga, ON L5V 3E4 • 1-800-265-8352 • frigidaire.ca

FGRC1044T1 02/17

© 2017 Electrolux Home Products, Inc.

Specifications subject to change.