

## Practice / Usage



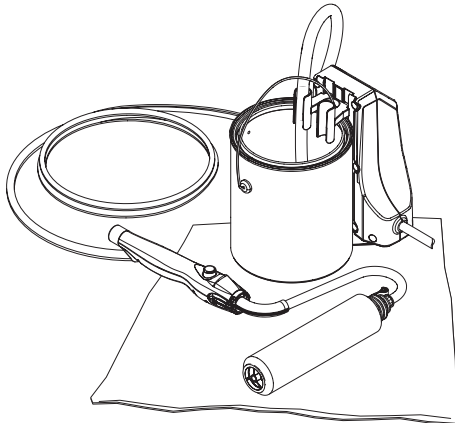
Scan this QR code with your mobile device and you will be directed to a video on Practice and Usage tips.

**IMPORTANT: Make sure your floors and furnishings are covered with drop cloths during usage.**

### Break Periods

During break periods, the handle assembly should be placed flat with the roller sitting on a clean piece of cardboard or on top of the container.

- During break periods, make sure that the roller is not saturated with paint, or it will drip and accumulate.
- Avoid leaving the roller exposed to the sun or excessive heat during break periods.
- During extended break periods (more than 1/2 hour) wrap the roller in a plastic bag to keep it from drying out. Place it away from any heat sources and out of the sun.



### Handle Button

When the handle button is pressed and released, the pump motor will turn on and material will begin flowing into the paint hose.

To shut the motor off and stop the flow of material, press and release the handle button again.

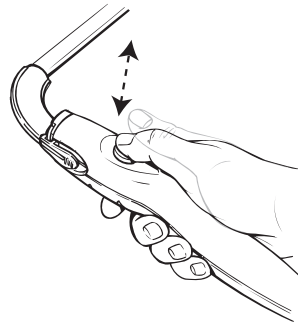
**Note:** Make sure to fully press and release the handle button. If the handle button is only partially pressed, the motor will start, but will shut down again after the button is released.

**IMPORTANT: Do not submerge handle into any liquids, and avoid getting any spillage around the handle button.**

### Practice / Usage

1. Turn the ON/OFF switch to ON.
2. To start the motor, fully press and release the handle button.

When paint starts to show through the roller, press and release the handle button to shut off the motor.



### Tips:

- Practice rolling on a scrap piece of wood or cardboard.
- Press the handle button to start and stop the pump as needed.

## Practice / Usage

### **Prepping the Room**

Remove all pictures, mirrors, and decorations from the walls and draperies from the windows. Remove all nails, hardware and switch and receptacle covers. Cover furniture and floor with drop cloths.

### **Surface Preparation**

- Always remove wallpaper before painting. Wash off old adhesive and rinse with water. Allow the walls to dry before painting.
- Wash and rinse dirt, grease and oil build-up off the walls with soap and water.
- Fill all nail holes, joints and cracks with patching paste. Let dry and sand the surface until smooth. Clean sanded area with a damp cloth.
- Spot prime all patched areas and any marker and/or pen marks before applying first coat.

**Tip:** Write the important information from your paint can - color, formula, brand and paint type - on the back of a switch plate for future reference.

### **Painting the Room**

**Tip:** If you need more than one gallon of paint to do the room's walls, mix them together to ensure color uniformity.

- Always make sure to open a window or door to ensure proper ventilation.
- If you are painting both the ceiling and walls in your room, start with the ceiling first and then move to the walls.

### **Ceilings:**

- Paint across the short width of the ceiling.

### **Walls:**

- Paint one wall at a time.
- Pick an area to start where you can saturate the roller cover and evenly distribute the paint. Working in three-foot sections, begin by cutting-in around windows, doors, cabinets, base and other breaks in the wall surface.
- Press and release the handle button until paint appears through the roller cover.
- Start painting at one end of a wall and roll out the letter "W". Fill it in with crosswise strokes, working your way across the wall in 3' x 3' sections. Finish the sections by painting one solid swipe from ceiling to floor. This will give you a nice even paint finish.
- Press and release the handle button as needed for more paint. Be careful not to over-saturate the roller cover as it may drip, slide on the wall or spatter.
- Make sure to run the roller cover over the areas you cut-in around the trim and baseboards to even out the texture.
- If you need to stop and take a break; finish painting the entire wall, or stop at a break in the wall such as a doorway or corner to prevent lap marks.

# Cleanup



Scan this QR code with your mobile device and you will be directed to a video on Cleanup tips.

**IMPORTANT: Make sure your floors and furnishings are covered with drop cloths during cleanup.**

### You will need:

- A waste container
- A minimum of one gallon of warm, soapy water if you used latex paints
- A minimum of one quart of mineral spirits if you used oil-based paints

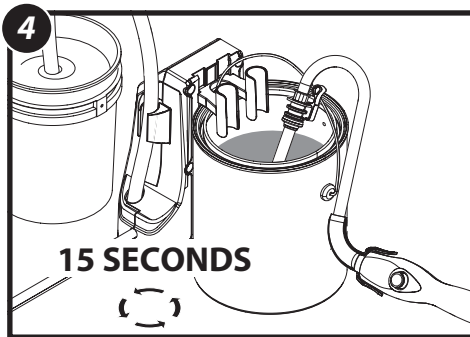
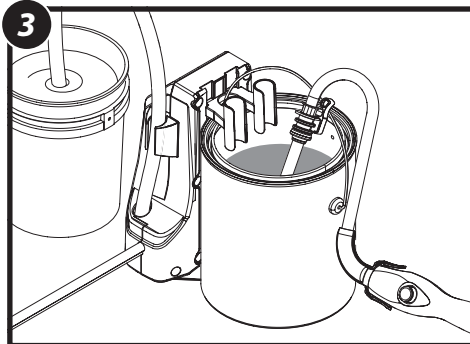
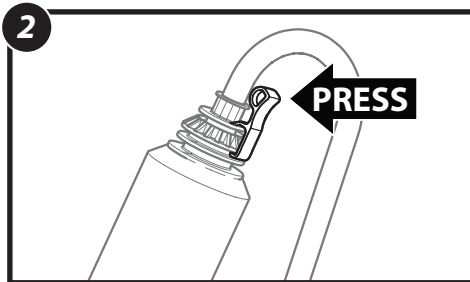
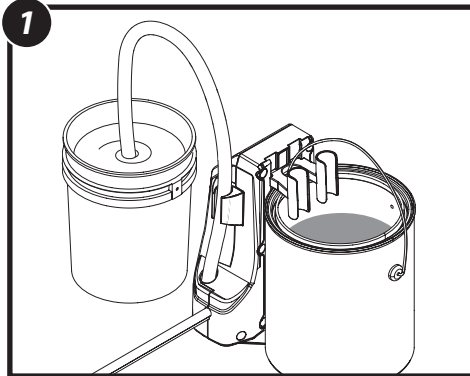
**IMPORTANT: DO NOT SUBMERGE THE ROLLER HANDLE INTO ANY LIQUIDS!**

### Notes:

- Thoroughly cleaning your unit and its components is the best way to ensure the prolonged life of your unit.
- A light paint film residue may remain in the paint hose after cleaning. This is normal and will not affect the future performance of your unit.
- Switch the unit OFF (0) prior to removing any accessories or components.
- A Roller Cleanup Kit™ is available for separate purchase. See Accessories, page 44 for ordering information.

### To Clean:

1. Submerge suction tube into a bucket of the appropriate cleaning solution.
2. Press locking tab and drop roller cover assembly into a bucket of the appropriate cleaning solution.
3. Place the roller arm in the material container in order to catch paint.
4. Turn the switch ON. Fully press and release the handle button to switch the motor on. Let the motor run for 15 seconds to push paint from the hoses back into the paint can. Fully press and release the handle button to switch the motor off.



## Cleanup (continued)

5. Remove container from pump. Leave suction tube submerged into the bucket of the appropriate cleaning solution.
6. Hang the roller arm from the bucket.
7. Fully press and release the handle button to run the appropriate cleaning solution through the hoses and roller arm.

**Note:** Allow the pump to circulate the cleaning solution for about 10 minutes. If desired, refill the bucket with new cleaning solution and repeat for another 5 minutes.

8. While unit is self-cleaning, disassemble the roller assembly\*, and thoroughly clean the roller cover, core, and cap by hand.
  - \* Insert thumb to first knuckle, pry and pull the cap from the roller cover. Once the cap is removed, push the core out the other end. **DO NOT throw away the core and cap.**
9. Fully press and release the handle button to switch the motor off.
 

Remove suction tube from solution and run motor until all cleaning solution is purged from the unit. Turn the switch OFF. Unplug power cord.
10. Press quick-release tabs and remove the roller arm from the roller handle. Remove any remaining paint with the appropriate cleaning solution and a damp cloth.

**IMPORTANT:** If you used mineral spirits to clean your unit, you must repeat all the steps on this page using warm, soapy water.

