

Glacier Bay Luca Single-Handle Bar Faucet

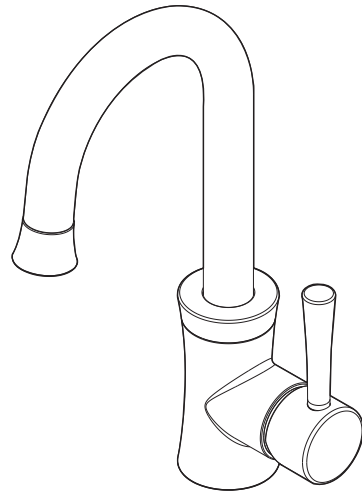
MODEL	OMSID#	FINISH
FS1A0035BNV	302357336	Stainless

FEATURES

- Drip Free Ceramic Cartridge
- Metal Lever Handle
- Lead Free Brass Body
- Max Flow Rate: 1.75 gpm (6.6 L/min) at 60 psi

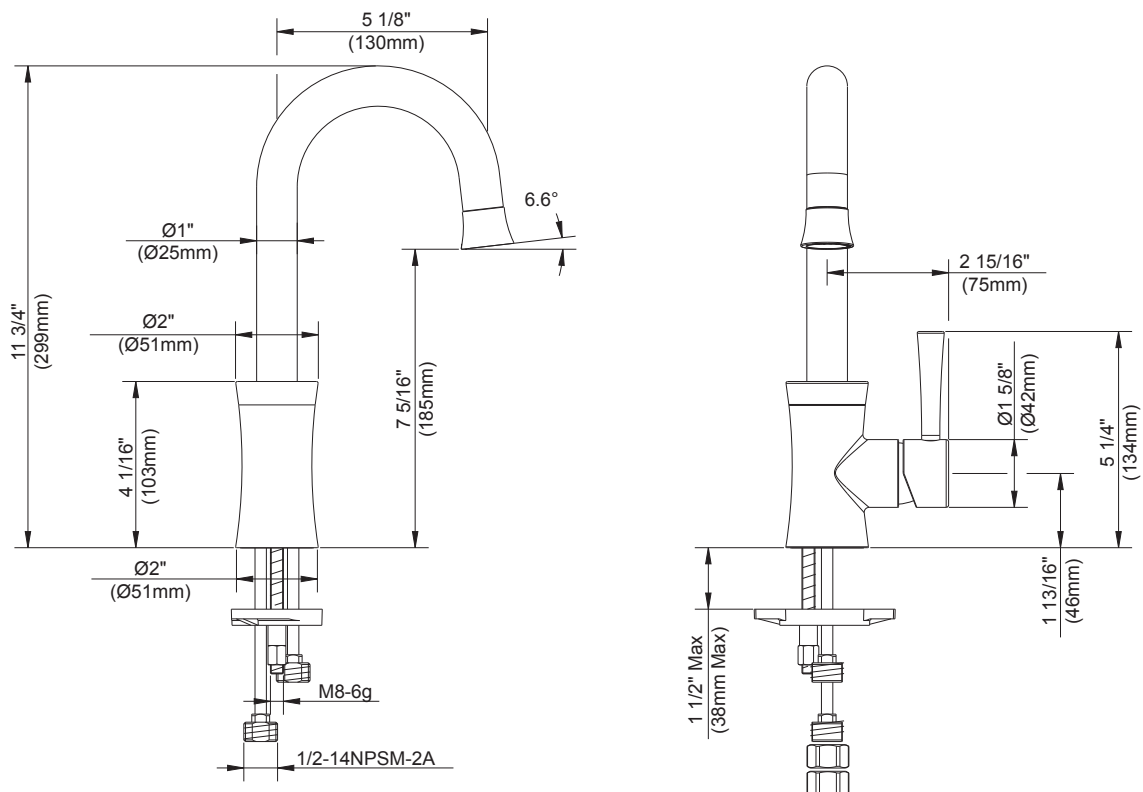
CODE COMPLIANCE

- IAPMO Certified: ASME A112.18.1
- IAPMO Certified: Complaint to NSF/ANSI (61 Section 9, 372)
- IAPMO Green
- Meets AB 1953 Lead Standard
- ADA Compliant



WARRANTY

- Limited Lifetime Warranty



INSTALLATION DIMENSIONS