



White



Biscuit

FEATURES

- Durable high gloss finish
- Smooth wall, 4 piece molded sectionals
- Pre-Leveled base
- Caulkless Installation
- Leakproof right angle joint flanges
- Easy Wedge & Lock Installation
- Multiple integral soap shelves
- Center drain
- Slip resistant, textured bottom
- Available with Age-in-Place backing (6034CSA)
- Available in White and Biscuit
- 15-year residential limited warranty



What is A² Composite?

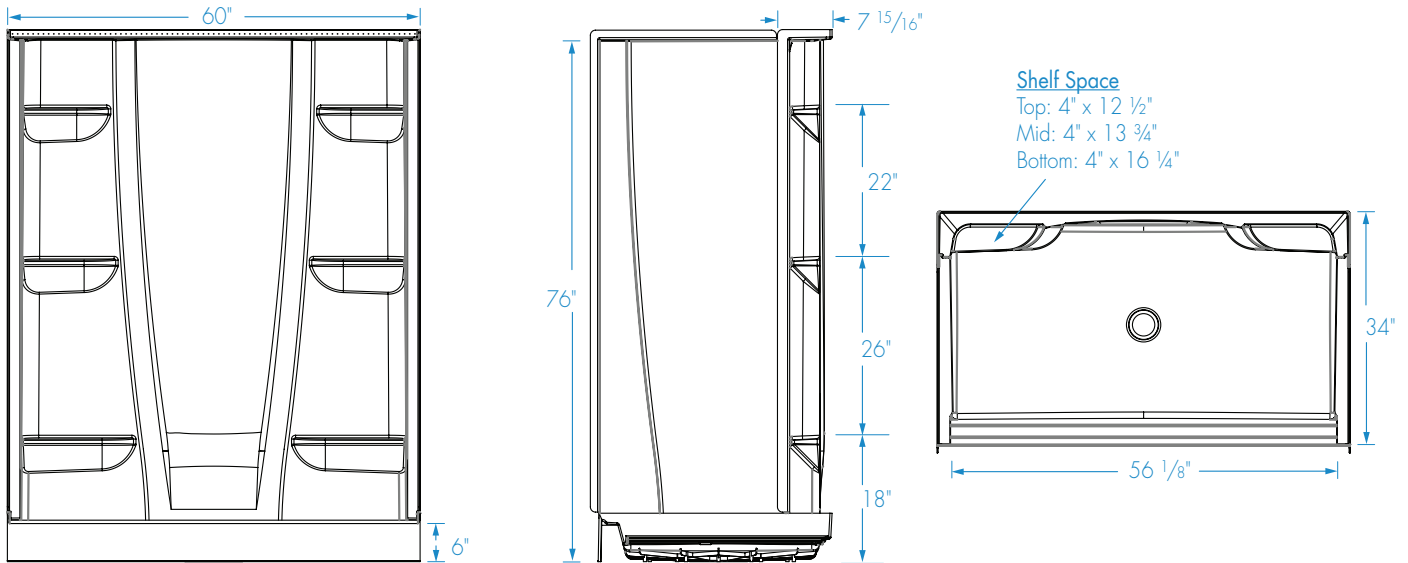
Lightweight and durable, our A² Composite is an engineered compound of resin, glass and special fillers formed into sheets. These sheets are then placed under high pressure and heat to liquify the compound, allowing it to flow and take the shape of almost any form imaginable. The results are simple, stylish and a snap to install.





6034CS

60 x 34 x 76
inches



FEATURES

Dimensional Tolerance $\pm \frac{3}{8}$ ". Dimensions needed for site preparation should be measured from the unit. Manufacturer assumes no responsibility for preparatory work.

Model #	Material	Wall Finish	Pieces	Drain	Seat	Net Wt. lbs	Pkg. Wt. lbs
Shower #6034CS	A ² Composite	Smooth	4	Center	-	141	156

DIMENSIONS

Specifications	inches
Width: Overall / Net	60
Depth: Overall / Net	35 1/8 / 34
Height: Overall / Net	77 3/8 / 76
Enclosure Opening	56 1/8
Skirt Height	6
Drain Rough-In (from Back Wall)	16 1/2
Drain Rough-In (from Side Wall)	30
Drain: Diameter / Clearance	3 1/4 / 3/8

FRAMING DIMENSIONS inches

Type	D Depth	W Width	H Height	A	B	C
Alcove	35 1/8	60	-	Box Out	30	16 1/2

