



## ASSEMBLY INSTRUCTIONS

ITEM 61470, 61544, 61545 3 PIECE WICKER PATIO SET



### Table of Contents:

General Information.....	Page 2
Safety Information.....	Page 2
Preparation.....	Page 2
Parts List.....	Page 3
Assembly.....	Page 4-5
Warranty Information.....	Page 6

### **\*\*IMPORTANT NOTICE\*\***

Do **NOT** return to place of purchase. For customer Service and warranty issues, please contact our **TOLL FREE HOTLINE: 866-985-7877** or Email: [cservice@welltraveled.net](mailto:cservice@welltraveled.net).  
Hotline hours: Mon – Fri, 9AM to 6PM, EST

**SAVE THESE INSTRUCTIONS FOR FUTURE REFERENCE.**



## ITEM 61470, 61544, 61545 3 PIECE WICKER PATIO SET

### **GENERAL INFORMATION:**

Your new Wicker Patio Set is made from the finest materials available. It should provide many years of enjoyment with minimal care.

Keep your Wicker Patio Set clean. For best results, clean the Wicker Patio Set with a soft, damp cloth. If you use furniture covers, always make sure the Wicker Patio Set is clean and completely dry before covering as mold may form in dark, wet places. Remove cushions prior to covering and store them in a dry, temperature controlled place. Check the screws on your Wicker Patio Set regularly to make sure they are tight.

The weight limit for this Wicker Patio Set is 220 lbs.

### **SAFETY INFORMATION:**

#### ***WARNING***

DO NOT stand or allow children to stand on the assembled product.

DO NOT tighten screws completely until instructed to do so. After final alignment, make sure all screws are securely fastened.

NEVER use a power tool to assemble or tighten your furniture. Perform periodic checks to make sure the hardware is secure and tighten if needed.

#### ***CAUTION***

READ all instruction before beginning assembly. Failure to do so may result in faulty assembly and potential injury. Assemble the item on a soft, non-abrasive surface such as a carpet or cardboard to avoid damaging the item.

### **PREPARATION**

Before beginning assembly, make sure all parts are present. Compare parts received with the "Parts List." If any part is missing or damaged, do NOT attempt to assemble the product. Contact our Customer Service Hotline toll-free at 1-866-985-7877, Mon – Fri, 9AM to 6PM, EST.



**ITEM 61470, 61544, 61545 3 PIECE WICKER PATIO SET**

**PARTS LIST - TABLE**

<b>Table Top</b>	<b>1</b>
<b>Wicker Leg Panels</b>	<b>2</b>
<b>Wicker Support Panels</b>	<b>2</b>

**HARDWARE LIST - TABLE**

<b>AA</b>	<b>1/4" x 5/8" Hexagon Screws</b>	<b>12</b>
<b>BB</b>	<b>1/4" Washers</b>	<b>12</b>
<b>CC</b>	<b>1/4" Lock Washers</b>	<b>12</b>

**PARTS LIST - CHAIRS**

<b>Wicker Back with Legs</b>	<b>2</b>
<b>Wicker Front Leg Panel</b>	<b>2</b>
<b>Wicker Side Support Panels</b>	<b>4</b>
<b>Seat</b>	<b>2</b>

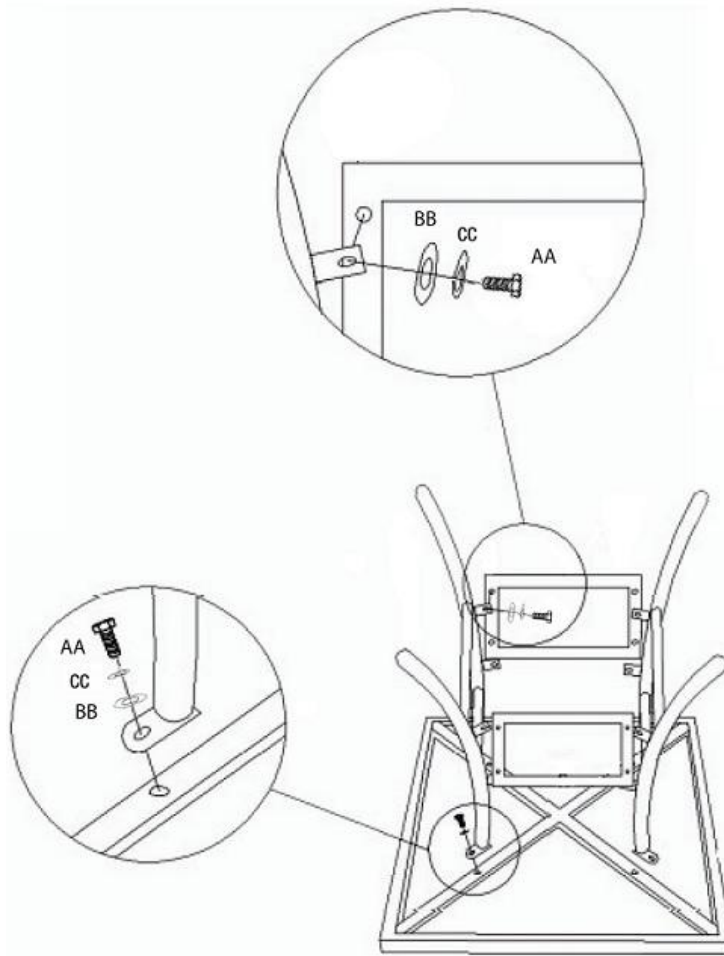
**HARDWARE LIST - CHAIRS**

<b>1/4" Washers</b>	<b>10 (x2)</b>
<b>1/4" Lock Washers</b>	<b>10 (x2)</b>
<b>1/4" x 1 1/2" Hexagon Screws</b>	<b>2 (x2)</b>
<b>1/4" x 5/8" Hexagon Screws</b>	<b>8 (x2)</b>
<b>Hex Wrench</b>	<b>1</b>



**ITEM 61470, 61544, 61545 3 PIECE WICKER PATIO SET  
ASSEMBLY**

**TABLE**

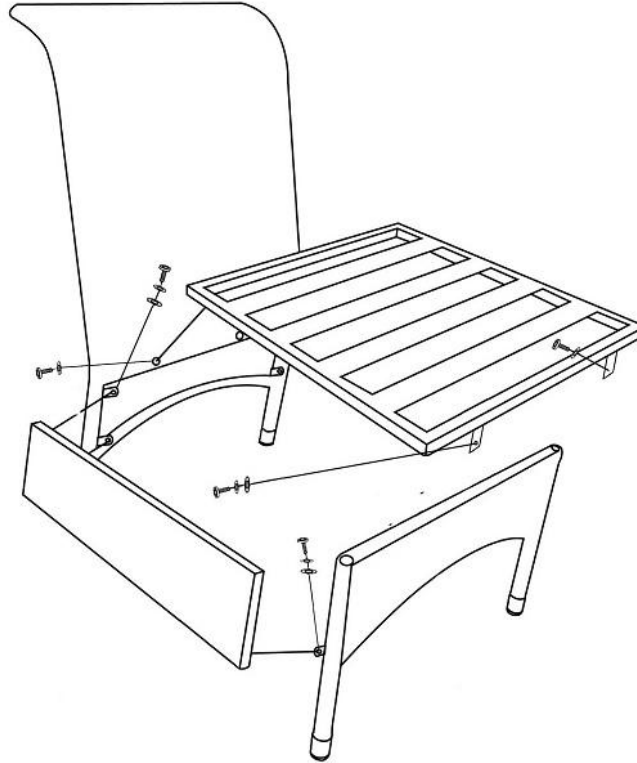


- 1.** Lay the Table Top face down on a soft surface and attach the Wicker Leg Panels onto the bottom of the Table Top with 4 - pcs. 1/4" x 5/8" Hexagon Screws (AA), 4 - pcs. 1/4" Lock Washers (CC) and 4 - pcs. 1/4" Washers (BB).
- 2.** Attach the Wicker Support Panels to the Wicker Leg Panels with 4 - pcs. 1/4" x 5/8" Hexagon Screws (AA), 4 - pcs. 1/4" Lock Washers (CC) and 4 - pcs. 1/4" Washers (BB) per panel (8 pcs. of each total.)
- 3.** Tighten all hardware. Your table is now ready for use!



**ITEM 61470, 61544, 61545 3 PIECE WICKER PATIO SET  
ASSEMBLY**

**CHAIRS**



- 1.** Attach the Wicker Back with Legs to the Wicker Side Support Panels with 4 - pcs. 1/4" x 5/8" Hexagon Screws, 4 - pcs. 1/4" Lock Washers, and 4 - pcs. 1/4" Washers. **DO NOT OVER TIGHTEN SCREWS.**
- 2.** Attach the Wicker Front Leg Panel to the Wicker Side Panel Supports with 2 - pcs. 1/4" x 5/8" Hexagon Screws, 2 - pcs. 1/4" Lock Washers and 2 - pcs. 1/4" Washers.
- 3.** Attach the Seat to the Wicker Back with Legs with 2 - pcs. 1/4" x 1 1/2" Hexagon Screws, 2 - pcs. 1/4" Lock Washers and 2 - pcs. 1/4" Washers. Attach the Seat to the Wicker Front Leg Panel with 2 - pcs. 1/4" x 5/8" Hexagon Screws, 2 - pcs. 1/4" Lock Washers and 2 - pcs. 1/4" Washers.
- 4.** Tighten all hardware. Your chairs are now ready for use!

**Distributed By:**  
Well Traveled Living  
716 S 8<sup>th</sup> Street  
Amelia Island, FL 32034  
Toll Free: 866-WTL-SUPP



Web: [www.wtliving.com](http://www.wtliving.com)  
Email: [cservice@welltraveled.net](mailto:cservice@welltraveled.net)

### **1 YEAR LIMITED WARRANTY – Customers in the Continental US**

All components are warranted for a period of 1 year after date of purchase by the original owner against defects in materials and workmanship under normal use. This warranty does NOT cover normal wear and weathering, assembly and/or maintenance OR use in a commercial application if model is not designated as a commercial model. At Well Traveled Living's sole discretion, products under warranty will be repaired and/or replaced at no charge to the customer. Any returns sent back to Well Traveled Living must be sent via prepaid freight and in the original retail packaging.

For warranty service contact Well Traveled Living at the address, phone numbers or internet site and email listed in this owner's manual. Be sure to have your sales receipt, date of purchase and catalogue/model numbers available when calling. All warranty service will be coordinated by the Well Traveled Living's, Amelia Island, Florida service center.

This warranty is extended only to the original purchaser. Proof of purchase will be required before warranty service is rendered. The sales receipt is the only valid proof of purchase. This warranty only covers failures due to defects in materials or workmanship which occur during normal use. Failures and/or damage which result from accident, negligence, misuse, abuse, neglect, mishandling, alteration or modification, failure to maintain, improper assembly or maintenance, service by unauthorized agency or use of unauthorized components or damage that is attributable to acts of God are NOT covered.

**\*\*\*THERE ARE NO EXPRESS WARRANTIES EXCEPT AS LISTED ABOVE\*\*\***

**\*\*\*PURCHASER ASSUMES ALL RISKS IN THE ASSEMBLY AND OPERATION OF THIS UNIT\*\*\***

**\*\*\*FAILURE TO FOLLOW WARNINGS AND OPERATIONAL INSTRUCTIONS CONTAINED IN THIS MANUAL CAN RESULT IN SEVERE PROPERTY DAMAGE AND/OR PERSONAL INJURY\*\*\***

**IN NO EVENT WILL WELL TRAVELED LIVING, OR ITS DIRECTORS, OFFICERS OR AGENTS BE LIABLE TO THE PURCHASER OR ANY THIRD PARTY, WHETHER IN CONTRACT, IN TORT, OR ON ANY OTHER BASIS, FOR ANY INDIRECT, SPECIAL, PUNITIVE, EXEMPLARY, CONSEQUENTIAL, OR INCIDENTAL LOSS, COST, OR DAMAGE ARISING OUT OF OR IN CONNECTION WITH THE SALE, MAINTENANCE, USE, OR INABILITY TO USE THE PRODUCT, EVEN IF WELL TRAVELED LIVING OR ITS DIRECTORS, OFFICERS OR AGENTS HAVE BEEN ADVISED OF THE POSSIBILITY OF SUCH LOSSES, COSTS OR DAMAGES, OR IF SUCH LOSSES, COSTS, OR DAMAGES ARE FORESEEABLE. IN NO EVENT WILL WELL TRAVELED LIVING, OR ITS OFFICERS, DIRECTORS, OR AGENTS BE LIABLE FOR ANY DIRECT LOSSES, COSTS OR DAMAGES THAT EXCEED THE PURCHASE PRICE OF THE PRODUCT.**

**SOME JURISDICTIONS DO NOT ALLOW THE EXCLUSION OR LIMITATION OF INCIDENTAL OR CONSEQUENTIAL DAMAGES, SO THE ABOVE LIMITATION OR EXCLUSION MAY NOT APPLY TO THE PURCHASER.**

This limited warranty gives you specific legal rights and you may also have other rights which vary from jurisdiction to jurisdiction. The provisions of the United Nations Convention on Contracts for the Sales of Goods shall not apply to this limited warranty or the sale of products covered by this limited warranty.

**\*\*\*IMPORTANT NOTICE\*\*\***

-Do **NOT** return to place of purchase-

For customer service and warranty issues

contact our Customer Service Center at:

(866)-985-7877 OR

Email: [cservice@welltraveled.net](mailto:cservice@welltraveled.net)

Customer Service Hours: Mon. – Fri. 9:00 a.m. – 6:00 p.m. (EST)

Fire Sense®, Patio Sense®, Mojave Sun®, and Well Traveled Living® are registered trademarks of Well Traveled Imports, Inc®. All assembly instruction presentations are the property of Well Traveled Imports, Inc.® and are protected by U.S. copyrights and trademarks. All rights reserved.