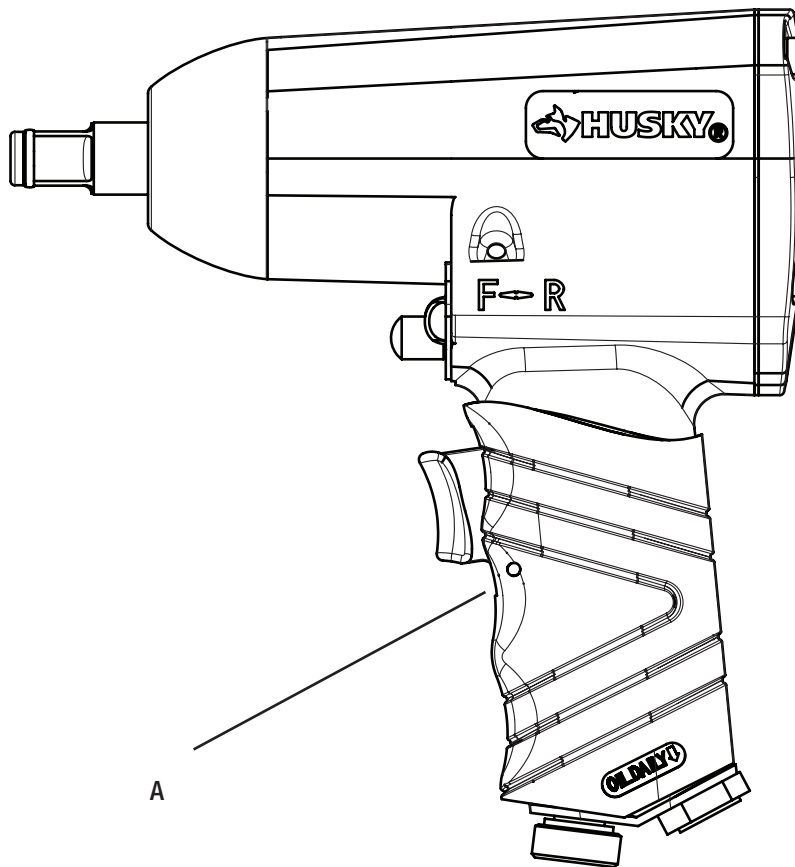


Pre-Installation

SPECIFICATIONS

Free Speed (RPM)	Weight (lbs)	Length (in)	Air Cons. (SCFM)	Maximum Operating Pressure (PSI)	Max. Torque ft-lbs
7500	4.77	7.25	4	90	300

PACKAGE CONTENTS



Part	Description	Quantity
A	1/2" Impact Wrench	1